

## UNDERGROUND CABLE JOINT SYSTEM VMY FOR POLYMERIC AND PAPER INSULATED LV CABLES UP TO 240 mm<sup>2</sup>

### KEY FEATURES

- Impact resistant
- Grey housing
- Polypropylene
- Robust bolted design with labyrinth sealing
- With integrated strain relief clamps
- Crimp and mechanical connectors
- Suitable for hot casting materials
- Available with environment-friendly and label-free resin GUROFLEX

TE Connectivity's (TE) Underground Cable Joint System VMY consists of an impact-resistant, grey polypropylene housing, and both halves are bolted together. The robust housing is easy and quickly to assemble, and cutting to the cable diameter is not needed. The cable entry is sealed with adhesive foam straps or with self-falagating tapes.

The filler material is delivered in double chamber bags, or in cans.

Separators to keep the connectors in sufficient distance are available as accessory. Application range is covering cable cross sections from 1,5 mm<sup>2</sup> up to 150 mm<sup>2</sup>. Also, due to its length, the VMY-950 version can be used as a repair joint.

**Customers can count on consistent, high quality products, driven by TE's proven innovation and backed by our extraordinary customer support.**

## Underground Cable Joint System VMY

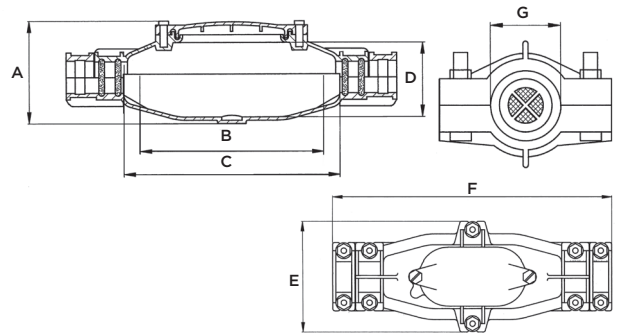


Joints are tested according to CENELEC EN 50393.

### PRODUCT DIMENSIONS

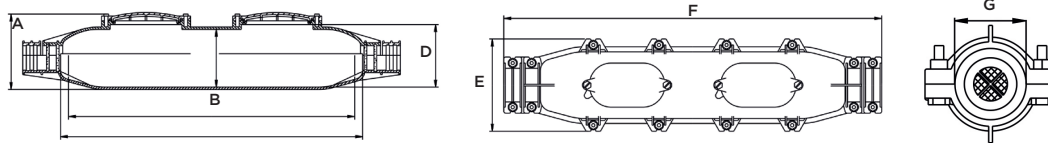
	VMY-205	VMY-280	VMY-405	VMY-605	VMY-950
<b>A</b>	61	96	122	198	190
<b>B</b>	95	130	210	400	720
<b>C</b>	125	170	250	440	760
<b>D</b>	50	70	85	150	150
<b>E</b>	95	126	159	223	230
<b>F</b>	210	284	405	605	950
<b>G</b>	18	27	40	60	76

Dimensions in mm



VMY-205/280/405/605

### VMY-950



### PRODUCT SELECTION INFORMATION

Description	Connectors	Cable Sealing	Filler Type	Volume	Cable Cross Section Min [mm <sup>2</sup> ]	Cable Cross Section Max [mm <sup>2</sup> ]	Part Number
VMY-205-EM-9575	without	GURO-tape	without	0,35 l	3 - 5 x 1,5	5 x 6	993182-000
VMY-205-GD	without	foam tape	GUROFLEX	0,35 l	3 - 5 x 1,5	5 x 6	387604-000
VMY-205-GD-K/4	4-p. conn. block	foam tape	GUROFLEX	0,35 l	3 - 4 x 1,5	4 x 6	910762-000
VMY-205-GD-K/5	5-p. conn. block	foam tape	GUROFLEX	0,35 l	3 - 5 x 1,5	5 x 6	580686-000
VMY-280-EM-2X9575	without	GURO-tape	without	0,55 l	4 - 5 x 6	4 - 5 x 16	491958-000
VMY-280-GD	without	foam tape	GUROFLEX	0,55 l	4 - 5 x 6	4 - 5 x 16	574528-000
VMY-280-GD-K/4	4-p. conn. block	foam tape	GUROFLEX	0,55 l	4 x 6	4 x 16	110164-000
VMY-280-GD-K/5	5-p. conn. block	foam tape	GUROFLEX	0,55 l	5 x 6	5 x 16	931426-000
VMY-405-EM-9905/3	without	GURO-tape	without	1,6 l	4 x 25	4 x 70	900794-000
VMY-405-43BD	without	foam tape	RAPID 4300B	1,6 l	4 x 25	4 x 70	343788-000
VMY-405-GD	without	foam tape	GUROFLEX	1,6 l	4 x 25	4 x 70	A10226-000
VMY-605-EM	without	without	without	6,45 l	4 x 95	4 x 185	244532-000
VMY-605-43BD645	without	foam tape	RAPID 4300B	6,45 l	4 x 95	4 x 185	682960-000
VMY-605-GD645	without	foam tape	GUROFLEX	6,45 l	4 x 95	4 x 185	309176-000
VMY-950-EM-2X12005	without	GURO-tape	without	15 l	4 x 150	4 x 240	237020-000
VMY-950-GC1500	without	foam tape	GUROFLEX	15 l	4 x 150	4 x 240	097906-000

Stated smallest cross sections can be covered with supplied cable entry sealing material and filler volume. Smaller cross sections may require additional sealing or filler.

### ACCESSORIES: DIMENSIONS IN mm

Description	Width	Thickness	Length	Part Number
GURO-TAPE-9505	60	0,5	1,1	769920-000
GURO-TAPE-9575	60	0,5	0,7	830892-000
GURO-TAPE-9605/2	60	1,0	2,0	951318-000
GURO-TAPE-9905/2	90	1,0	2,0	023002-000
GURO-TAPE-9905/3	90	1,0	3,0	314064-000
GURO-TAPE-12005	120	1,0	2,0	644992-000
FOAM-TAPE-90X3X2	90	3	2	048402-000
FOAM-TAPE-120X3X2,5	120	3	2,5	955336-000
GURO-SET-SEPARATOR	-	-	-	858876-000
SEPARATOR-4C-36X08	-	-	-	384606-000
SEPARATOR-3C-40X10	-	-	-	858306-000
SEPARATOR-4C-48X14	-	-	-	912788-000
SEPARATOR-5C-48X14	-	-	-	311840-000

### FOR MORE INFORMATION: TE Technical Support Centers

USA:	+ 1 800 327 6996
France:	+ 33 380 583 200
UK:	+ 44 0870 870 7500
Germany:	+ 49 896 089 903
Spain:	+ 34 916 630 400
Benelux:	+ 32 16 351 731
Canada:	+ 1 (905) 475-6222
Mexico:	+ 52 (0) 55-1106-0800
Latin/S. America:	+ 54 (0) 11-4733-2200
China:	+ 86 (0) 400-820-6015

[te.com/energy](http://te.com/energy)

©2014 TE Connectivity Ltd. family of companies. All Rights Reserved. EPP-2317-10/14

TE Connectivity and TE connectivity (logo) are trademarks. Other logos, product and/or company names might be trademarks of their respective owners. While TE has made every reasonable effort to ensure the accuracy of the information in this brochure, TE does not guarantee that it is error-free, nor does TE make any other representation, warranty or guarantee that the information is accurate, correct, reliable or current. TE reserves the right to make any adjustments to the information contained herein at any time without notice. TE expressly disclaims all implied warranties regarding the information contained herein, including, but not limited to, any implied warranties of merchantability or fitness for a particular purpose. The dimensions in this catalog are for reference purposes only and are subject to change without notice. Specifications are subject to change without notice. Consult TE for the latest dimensions and design specifications.