

## UNIVERSAL BRANCH JOINT CONNECTORS FOR LOW VOLTAGE ALUMINUM AND COPPER CONDUCTORS

### KEY FEATURES

- The standard product is supplied with shear head bolts
- Low torque, direct acting bolts
- Tested to IEC 61238-1(2003) and ER C79

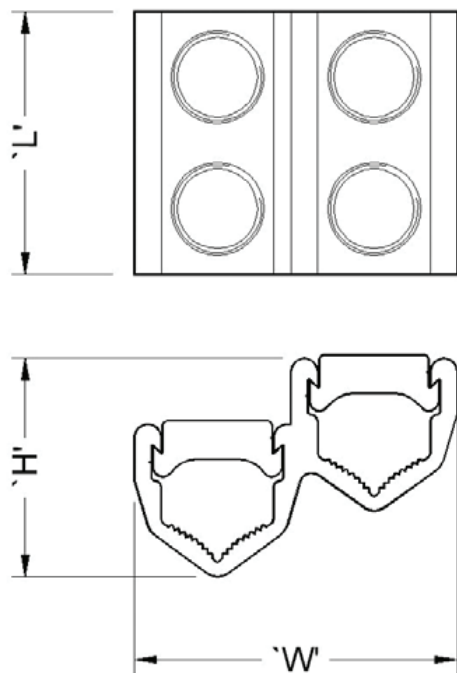
TE Connectivity's (TE) Raychem Universal Branch Joint Connectors (UBR) are designed for connecting low voltage aluminium and copper conductors.

This includes stranded or solid 120° and 90° sectoral or round conductors, up to the maximum cross-section. UBR95 & UBR185 require a 13 mm socket or spanner and UBR300 requires a 19 mm socket or spanner to complete the installation. Bridge pieces for one or two service take-offs are available for these connectors.

TE's Raychem UBR can be used as a transition connector between cables with different conductor constructions, types, materials and sizes (e.g. solid sectoral to circular stranded)

**Customers can count on consistent, high quality products, driven by TE's proven innovation and backed by our extraordinary customer support.**

## Universal Branch Joint Connectors



### PRODUCT SPECIFICATION

Reference	PN	TCPN	Dimensions (mm)			Conductor size (mm <sup>2</sup> )	Socket/ spanner A/F (mm)
			L	H	W		
UBR095	BAH-023000001	733472-000	40	40	49	35-95	13
UBR185	BAH-023000011	033548-000	54	54	66	35-185	13
UBR300	BAH-023000024	416318-000	54	54	77	70-300	19

[te.com/energy](http://te.com/energy)

© 2020 TE Connectivity. All Rights Reserved. EPP-1732-DDS-06/20-EN/Revision:C

TE Connectivity, TE connectivity (logo), EVERY CONNECTION COUNTS, AMP, AMPACT, Axicom, Bowthorpe EMP, Crompton Instruments, Raychem, SIMEL, UTILUX are trademarks. Other logos, product and Company names mentioned herein may be trademarks of their respective owners. While TE has made every reasonable effort to ensure the accuracy of the information in this brochure, TE does not guarantee that it is error-free, nor does TE make any other representation, warranty or guarantee that the information is accurate, correct, reliable or current. TE reserves the right to make any adjustments to the information contained herein at any time without notice. TE expressly disclaims all implied warranties regarding the information contained herein, including, but not limited to, any implied warranties of merchantability or fitness for a particular purpose. The dimensions in this brochure are for reference purposes only and are subject to change without notice. Specifications are subject to change without notice. Consult TE for the latest dimensions and design specifications.

### FOR MORE INFORMATION: TE Technical Support Centers

USA/Canada:	+1 800-327-6996
Brazil:	+55 11-2103-6023
Mexico:	+52 55-1106-0800
South America:	+57 1-319-8962
Benelux:	+32 16-508-695
France:	+33 (0) 38-058-3210
Germany/Switzerland:	+49 (0) 89-608-9903
Italy:	+39 335-834-3453
Middle East/Africa:	+971 4-211-7020
Russia:	+7 495-790-790-2-200
Spain/Portugal:	+34 912-681-885
UK:	+44 08708-707-500
China:	+86 400-820-6015