



UNIVERSAL STRAIGHT JOINT CONNECTORS FOR LOW VOLTAGE ALUMINUM AND COPPER CONDUCTORS

KEY FEATURES

- The standard product is supplied with shear head bolts
- Low torque, direct acting bolts
- Tested to BS4579 and ER C79

TE Connectivity's (TE) Raychem Universal Straight Joint Connectors (UST) connectors are designed for connecting low voltage aluminium and copper conductors.

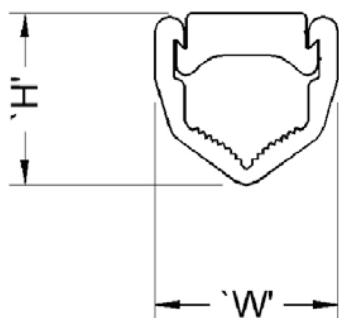
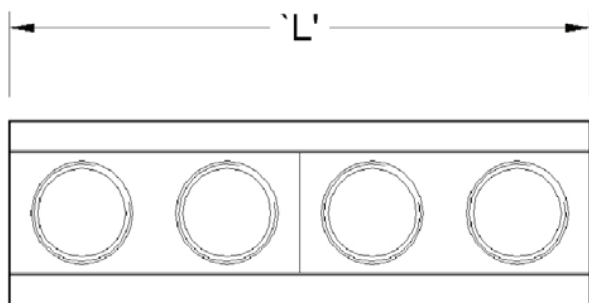
This includes stranded or solid 120° and 90° sectoral or round conductors up to the maximum cross-section for which the connector is designed.

TE's Raychem UST can be used as a transition connector between cables with different conductor constructions, types, materials and sizes. UST95 & UST185 range require a 13 mm socket or spanner and UST300 & UST400 ranges require a 19 mm socket or spanner to complete the installation.

The connectors design incorporates shear bolts head, ensuring correct torque is applied to each bolt and consequently the optimal contact force is generated to minimize connection resistance. The primary tool required to install the connector is a standard ratchet wrench with the appropriate hexagonal sockets.

Customers can count on consistent, high quality products, driven by TE's proven innovation and backed by our extraordinary customer support.

Universal Straight Joint Connectors



PRODUCT SPECIFICATION

Reference	PN	TCPN	Dimensions (mm)			Conductor size (mm ²)	Socket/ spanner A/F (mm)
			L	H	W		
UST095	BAH-022020001	249986-000	80	25	25	35-95	13
UST185	BAH-022020014	308710-000	108	32	34	35-185	13
UST300	BAH-022020029	599376-000	108	36	40	70-300	19
UST400	BAH-022020046	543248-000	108	47	41	185-400	19

te.com/energy

© 2020 TE Connectivity. All Rights Reserved. EPP-1731-06/20-EN/Revision:C

TE Connectivity, TE connectivity (logo), EVERY CONNECTION COUNTS, AMP, AMPACT, Axicom, Bowthorpe EMP, Crompton Instruments, Raychem, SIMEL, UTILUX are trademarks. Other logos, product and Company names mentioned herein may be trademarks of their respective owners. While TE has made every reasonable effort to ensure the accuracy of the information in this brochure, TE does not guarantee that it is error-free, nor does TE make any other representation, warranty or guarantee that the information is accurate, correct, reliable or current. TE reserves the right to make any adjustments to the information contained herein at any time without notice. TE expressly disclaims all implied warranties regarding the information contained herein, including, but not limited to, any implied warranties of merchantability or fitness for a particular purpose. The dimensions in this brochure are for reference purposes only and are subject to change without notice. Specifications are subject to change without notice. Consult TE for the latest dimensions and design specifications.

FOR MORE INFORMATION: TE Technical Support Centers

USA/Canada:	+1 800-327-6996
Brazil:	+55 11-2103-6023
Mexico:	+52 55-1106-0800
South America:	+57 1-319-8962
Benelux:	+32 16-508-695
France:	+33 (0) 38-058-3210
Germany/Switzerland:	+49 (0) 89-608-9903
Italy:	+39 335-834-3453
Middle East/Africa:	+971 4-211-7020
Russia:	+7 495-790-790-2-200
Spain/Portugal:	+34 912-681-885
UK:	+44 08708-707-500
China:	+86 400-820-6015