



LOW VOLTAGE END TERMINATIONS LUGS FOR SECTOR SHAPED SOLID ALUMINIUM CONDUCTORS

KEY FEATURES

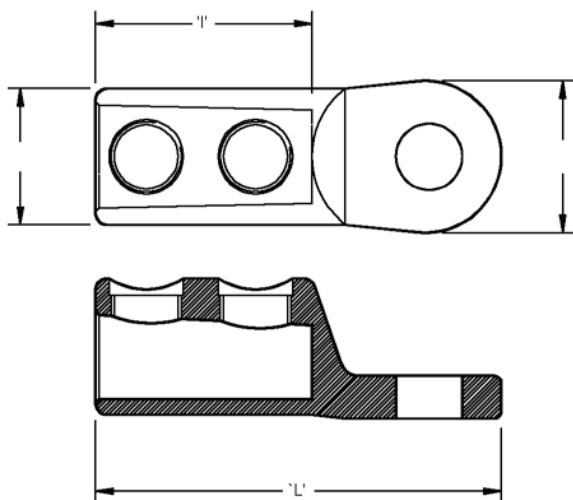
- Solid moisture block between palm and barrel
- Low torque direct-acting shear-head bolts
- Smooth profile prevents damage to insulation or sealing sleeves

TE Connectivity's (TE) Raychem Low Voltage End Termination (LVET) Lugs are made of aluminum alloy designed primarily for solid sector shaped aluminium conductors (either 120° or 90° angle) of three or four core cables. Unlike fittings made from pressed or forged tube, the blocked barrel of these fittings prevents water passing through the palm to the barrel.

The LVET lugs design incorporates shear bolt heads, ensuring correct torque is applied to each bolt and consequently the optimal contact force is generated to minimize connection resistance. The primary tool required to install the connector is a standard ratchet wrench with the appropriate hexagonal sockets.

Customers can count on consistent, high quality products, driven by TE's proven innovation and backed by our extraordinary customer support.

Low Voltage End Terminations Lugs



Part No: - LVETxxx-zz

-xxx: Max. Conductor size for connector body : 120, 185 or 300mm²
 -zz: Palm description : -12 is palm with M12 hole
 -16 is palm with M16 hole

PRODUCT SPECIFICATION

Reference	PN	TCPN		Conductor size (mm ²)		
LVET12012(SECT)/AG2M12	BAH-024020028	016338-000		120		
LVET12012(SECT)/AG3M12	BAH-024020029	278176-000		70 - 95		
LVET12016(SECT)/AG2M12	BAH-024020034	335152-000		120		
LVET12016(SECT)/AG3M12	BAH-024020035	531714-000		70 - 95		
LVET18512(SECT)/AG1M18	BAH-024020039	136892-000		150 - 185		
LVET18516(SECT)/AG1M18	BAH-024020044	204094-000		150 - 185		
LVET30012/AG1M18	BAH-024020046	723430-000		240 - 300		
LVET30016/AG1M18	BAH-024020048	390474-000		240 - 300		
Reference	PN	L	I	ØD	W	A/F
LVET12012(SECT)/AG2M12	BAH-024020028	86	40	28	32	13
LVET12012(SECT)/AG3M12	BAH-024020029	86	40	28	32	13
LVET12016(SECT)/AG2M12	BAH-024020034	86	40	28	32	13
LVET12016(SECT)/AG3M12	BAH-024020035	86	40	28	32	13
LVET18512(SECT)/AG1M18	BAH-024020039	104	56	35	39	13
LVET18516(SECT)/AG1M18	BAH-024020044	104	56	35	39	13
LVET30012/AG1M18	BAH-024020046	116	56	41	43	13
LVET30016/AG1M18	BAH-024020048	116	56	41	43	13

te.com/energy

© 2020 TE Connectivity. All Rights Reserved. EPP-1725-DDS-06/20-EN/Revision:B

TE Connectivity, TE connectivity (logo), EVERY CONNECTION COUNTS, AMP, AMPACT, Axicom, Bowthorpe EMP, Crompton Instruments, Raychem, SIMEL, UTILUX are trademarks. Other logos, product and Company names mentioned herein may be trademarks of their respective owners. While TE has made every reasonable effort to ensure the accuracy of the information in this brochure, TE does not guarantee that it is error-free, nor does TE make any other representation, warranty or guarantee that the information is accurate, correct, reliable or current. TE reserves the right to make any adjustments to the information contained herein at any time without notice. TE expressly disclaims all implied warranties regarding the information contained herein, including, but not limited to, any implied warranties of merchantability or fitness for a particular purpose. The dimensions in this brochure are for reference purposes only and are subject to change without notice. Specifications are subject to change without notice. Consult TE for the latest dimensions and design specifications.

FOR MORE INFORMATION: TE Technical Support Centers

USA/Canada:	+1 800-327-6996
Brazil:	+55 11-2103-6023
Mexico:	+52 55-1106-0800
South America:	+57 1-319-8962
Benelux:	+32 16-508-695
France:	+33 (0) 38-058-3210
Germany/Switzerland:	+49 (0) 89-608-9903
Italy:	+39 335-834-3453
Middle East/Africa:	+971 4-211-7020
Russia:	+7 495-790-790-2-200
Spain/Portugal:	+34 912-681-885
UK:	+44 08708-707-500
China:	+86 400-820-6015