

## PORCELAIN STATION POST INSULATORS UP TO 500 kV, QUALITY DESIGN

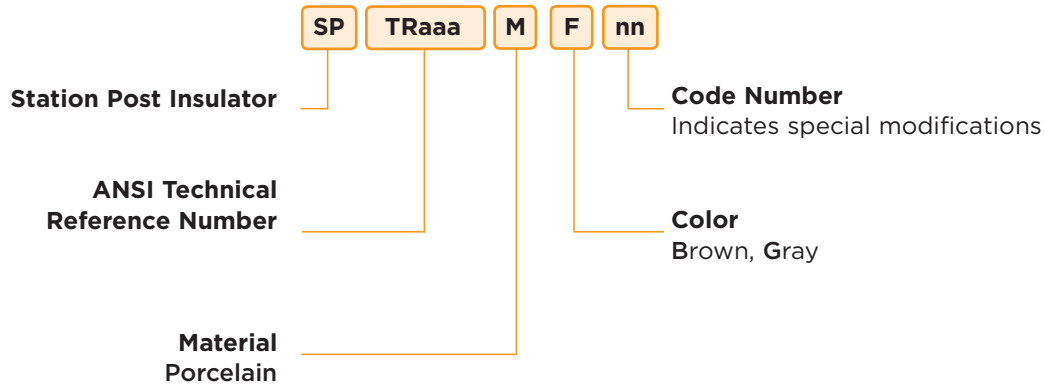
### KEY FEATURES

- Quality design and manufacturing
- Complies with ANSI C29.9
- Available to 500kV applications
- Long life and cost effective solutions for most applications
- Available in Gray or Brown
- Reliable performance
- Standard bolt circles and standard end fittings

TE Connectivity (TE) offers a wide range of porcelain station post insulators. For decades, these products have demonstrated reliable performance in various types of applications all over the world.

Porcelain insulators are the traditional choice for distribution and transmission line, busbar and apparatus insulation. Manufactured from high-quality non-porous electrical porcelain, they provide long life and cost-effective solutions for a majority of applications. TE's porcelain insulators were also sold in the past with brand names of Morlynn, Dulmison and Zibo and have 95 years of service experience in electric power supply.

**Customers can count on consistent, high quality products, driven by TE's proven innovation and backed by our extraordinary customer support.**



PRODUCT SELECTION INFORMATION													
Description	Strength	BIL (kV)	System Voltage (kV)	Overall Height (inches)	Leakage Distance (inches)	Cantilever Strength (lbs)	Description	Strength	BIL (kV)	System Voltage (kV)	Overall Height (inches)	Leakage Distance (inches)	Cantilever Strength (lbs)
SP-TR202PG	STD	95	7.5	7.5	10.5	2000	SP-TR289PG	High	650	138	54	116	2000
SP-TR222PG	High	95	7.5	10	10.5	4000	SP-TR289PG01	Ex-High	650	138	54	116	4100
SP-TR222PG01	Ex-High	95	7.5	10	10.5	8000	SP-TR291PG	STD	750	161	62	132	1200
SP-TR205PG	STD	110	15	10	15.5	2000	SP-TR295PG	High	750	161	62	132	1800
SP-TR225PG	High	110	15	12	15.5	4000	SP-TR295PG	High	750	161	62	132	1800
SP-TR225PG01	Ex-High	110	15	12	15.5	8000	SP-TR295PG01	Ex-High	750	161	62	132	3500
SP-TR208PG	STD	150	25	14	24	2000	SP-TR304PG	STD	900	230	80	165	950
SP-TR227PG	High	150	25	15	24	4000	SP-TR308PG	High	900	230	80	165	1450
SP-TR227PG01	Ex-High	150	25	15	24	8000	SP-TR312PG	STD	1050	345	92	198	800
SP-TR210PG	STD	200	35	18	37	2000	SP-TR316PG	High	1050	345	92	198	1250
SP-TR231PG	High	200	25	20	37	4000	SP-TR362PG	Ex-High	1050	345	92	198	2300
SP-TR231PG01	Ex-High	200	25	20	37	8000	SP-TR324PG	STD	1300	345	106	231	1000
SP-TR231PG02	Ex-High	200	25	20	37	8000	SP-TR367PG	High	1300	345	106	231	1450
SP-TR214PG	STD	250	46	22	43	2000	SP-TR368PG02	Ex-High	1300	345	106	300	2000
SP-TR267PG	High	250	46	24	43	4000	SP-TR369PG	Ex-High	1300	345	106	231	2050
SP-TR267PG01	Ex-High	250	46	25	43	8000	SP-TR369PG01	Ex-High	1300	345	106	231	4500
SP-TR216PG	STD	350	69	30	72	1500	SP-TR330PG	STD	1470	500	122	264	900
SP-TR278PG	High	350	69	30	72	3000	SP-TR371PG	High	1470	500	122	264	1170
SP-TR278PG01	Ex-High	350	69	32	72	6000	SP-TR373PG	Ex-High	1470	500	122	264	1750
SP-TR286PG	STD	550	115	45	99	1700	SP-TR372PG	Ex-High	1470	500	122	264	1750
SP-TR287PG	High	550	115	45	99	2600	SP-TR391PG	STD	1800	500	152	330	1400
SP-TR287PG01	Ex-High	550	115	45	99	5000	SP-TR391PG02	High	1800	500	152	360	1750
SP-TR288PB	STD	650	138	54	116	1400	SP-TR391PG03	Ex-High	1800	500	152	360	2500

**FOR MORE INFORMATION: TE Technical Support Centers**

- USA: + 1 800 327 6996
- France: + 33 380 583 200
- UK: + 44 0870 870 7500
- Germany: + 49 896 089 903
- Spain: + 34 916 630 400
- Benelux: + 32 16 351 731
- Canada: + 1 (905) 475-6222
- Mexico: + 52 (0) 55-1106-0800
- Latin/S. America: + 54 (0) 11-4733-2200
- China: + 86 (0) 400-820-6015

te.com/energy

©2014 TE Connectivity Ltd. family of companies. All Rights Reserved. E601 10/2014

TE Connectivity and TE connectivity (logo) are trademarks. Other logos, product and/or company names might be trademarks of their respective owners. While TE has made every reasonable effort to ensure the accuracy of the information in this brochure, TE does not guarantee that it is error-free, nor does TE make any other representation, warranty or guarantee that the information is accurate, correct, reliable or current. TE reserves the right to make any adjustments to the information contained herein at any time without notice. TE expressly disclaims all implied warranties regarding the information contained herein, including, but not limited to, any implied warranties of merchantability or fitness for a particular purpose. The dimensions in this catalog are for reference purposes only and are subject to change without notice. Specifications are subject to change without notice. Consult TE for the latest dimensions and design specifications.