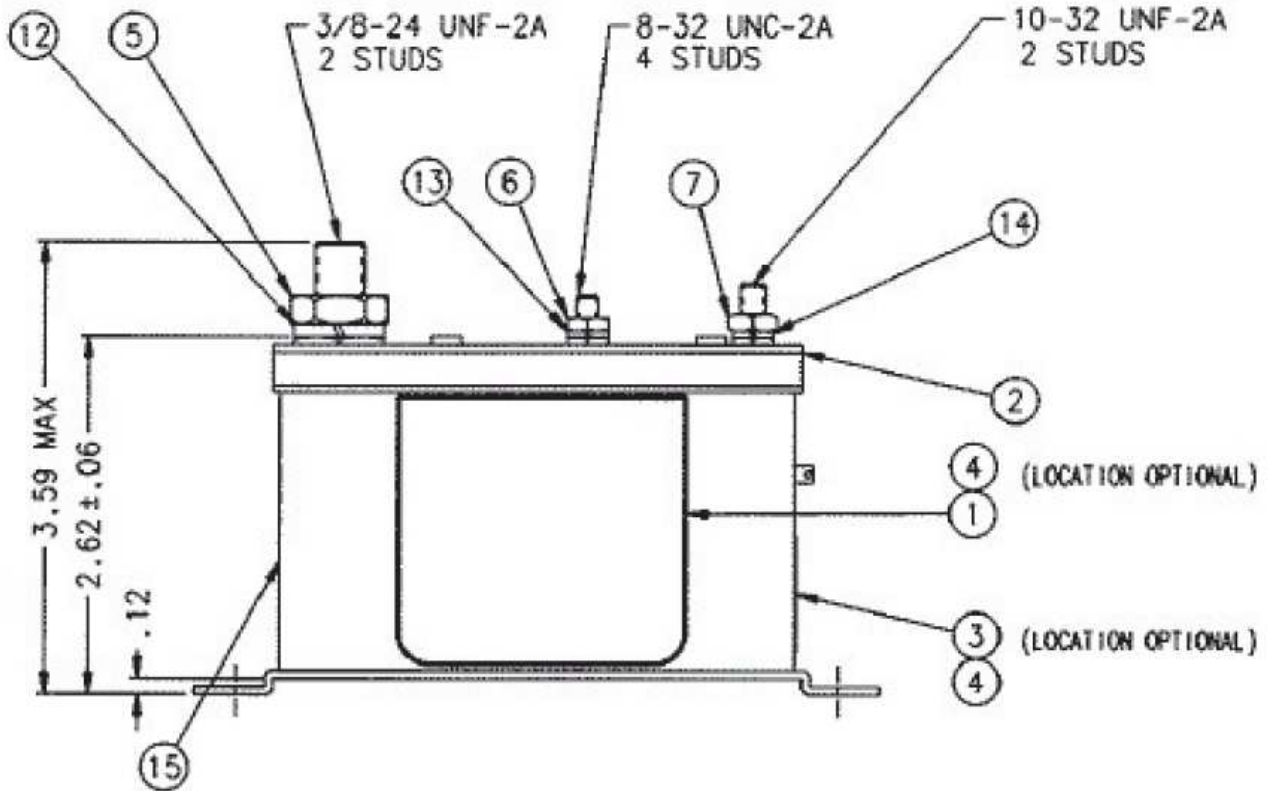
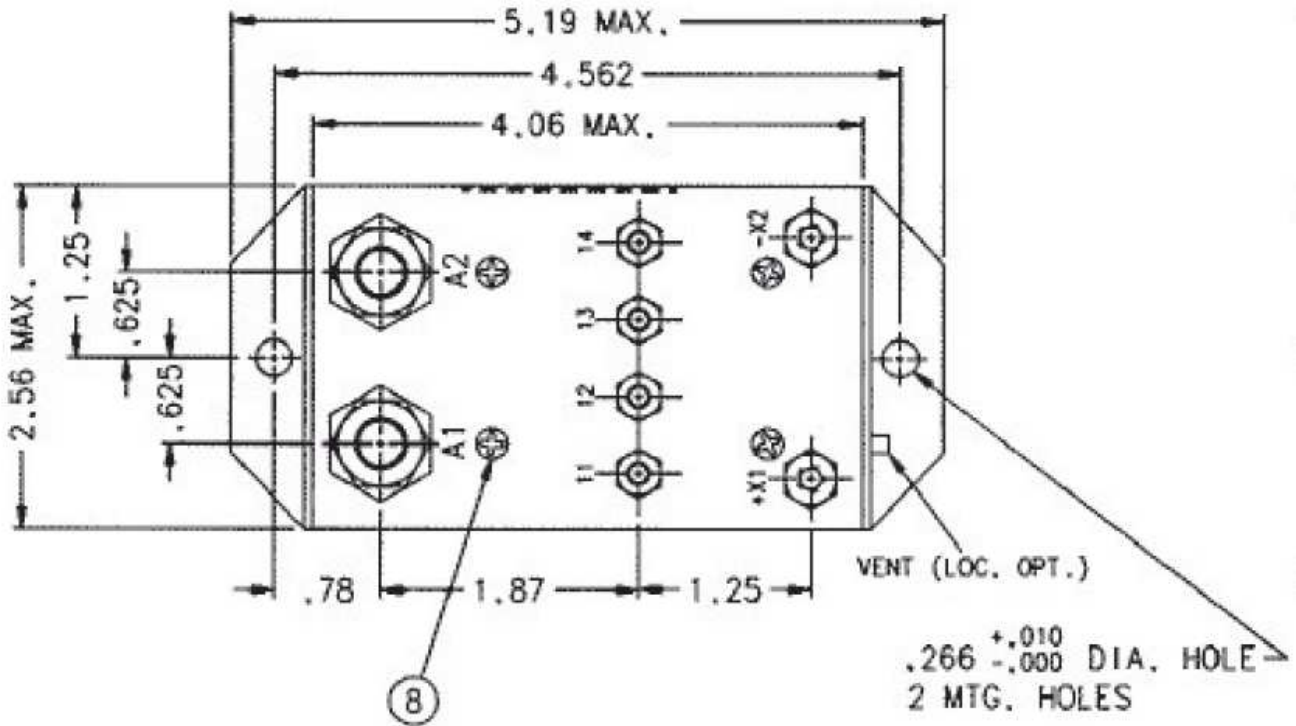


CONTACTOR 400 AMP, 28 VOLTS

REVISIONS

| REV. | ECO | DESCRIPTION | DATE | APPROVED |
|------|-----|-----------------|-----------|----------|
| A | - | INITIAL DRAWING | 09SEP2020 | RS |



| | |
|--------------------------------------|--------------------|
| TITLE CONTACTOR 400 AMP, 28 VOLTS | |
| TE P.N. 1616058-9 | DWG NO. A-703DB |
| CAGE CODE 74063 | SCALE NONE |
| DS DATA SHEET | SHEET 1 OF 2 |
| | REV A |

CONTACTOR 400 AMP, 28 VOLTS

CONSTRUCTION
 MAIN CONTACTS
 CONFIGURATION
 VOLTAGE (NOMINAL)
 CURRENT:

GASKET SEALED (VENTED)

SPST N.O.
 28 VDC
 400 AMP.
 1000 AMP FOR 30 SEC.
 1500 AMP INRUSH

AUXILIARY CONTACTS
 CONFIGURATION
 VOLTAGE
 CURRENT: RES.
 SURGE

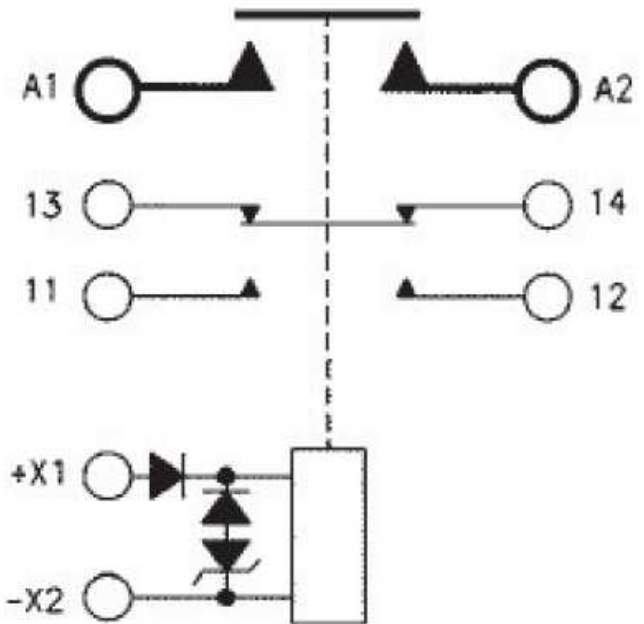
OPERATE BEFORE MAINS CLOSE
 FORM Z
 28VDC
 5 AMP, 10 AMP CARRY ONLY
 30 AMP CARRY ONLY FOR 0.1 SEC.

COIL DATA
 DUTY CYCLE
 NOMINAL VOLTAGE
 PICKUP MAX.
 PULL THROUGH
 DROPOUT VOLTAGE
 RESISTANCE
 SUPPRESSION


INTERMITTANT
 24-30 VDC
 12 VDC
 6 VDC MAX AT 25°C
 .5-7V
 14 OHM ±20% AT 25°C
 45 V PEAK

ENVIRONMENTAL DATA
 AMBIENT TEMP.
 LIFE ELECTRICAL
 LIFE MECHANICAL
 WEIGHT MAX.

-55°C TO +71°C
 50,000 CYCLES MIN.
 100,000 CYCLES
 2 LBS. 2 OZ.



NOTE:
 MOUNTING SURFACE SHALL PROVIDE
 ELECTRICAL GROUND.

| | | | | | |
|---|------------|--------------------------------------|---------------|--------------------|----------|
|  TE CONNECTIVITY CARPINTERIA, CA 93013 | | TITLE CONTACTOR 400 AMP, 28 VOLTS | | | |
| | | TE P.N. 1616058-9 | | DWG NO. A-703DB | |
| DS | DATA SHEET | CAGE CODE 74063 | SCALE NONE | SHEET 2 OF 2 | REV A |