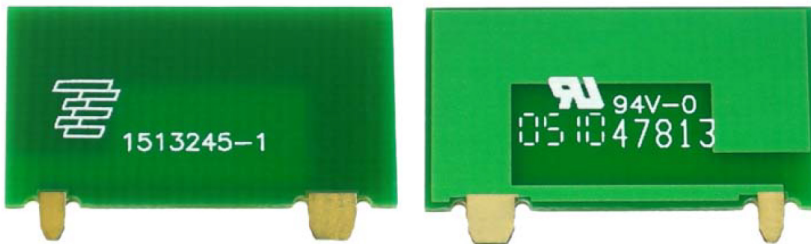


# 1513245-1

## SINGLE BAND ANTENNA (DCS AND PCS)



### 1710-1990 MHz SINGLE BAND ANTENNA (DCS AND PCS)

### OVERVIEW

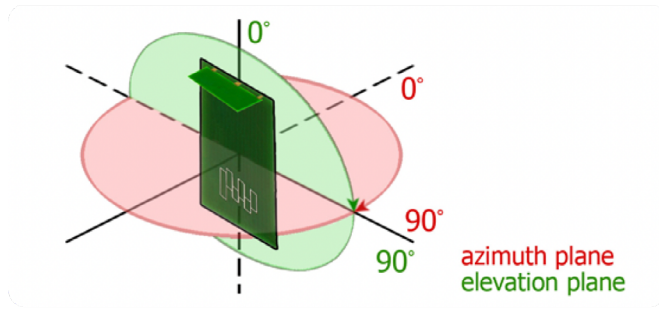
- This small embedded antenna provides the most reliable easy-to-use, adjustment-free antenna technology for handling during assembly and implementation by developers.
- RoHS compliant.

### RECOMMENDATIONS

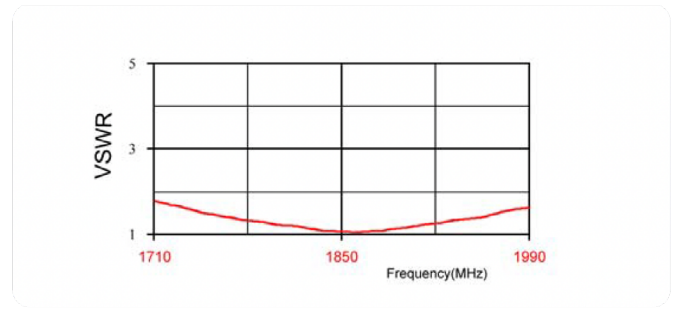
- Minimum or no matching circuits required.
- Bandwidth and performance is dependent on ground plane size.
- Suggested minimum ground plane length from the antenna feed is 45 mm.

### SPECIFICATIONS

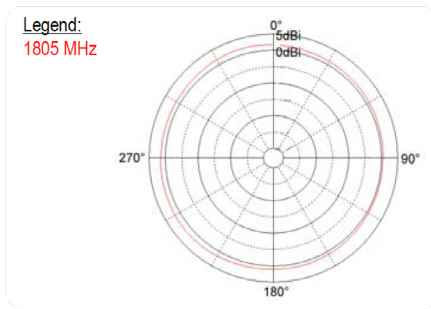
Frequency range (MHz)	1710 - 1990
<ul style="list-style-type: none"> <li>• Europe</li> <li>• Korea</li> <li>• US</li> </ul>	1710 - 1880 1750 - 1870 1850 - 1990
Peak gain	+ 2 dBi
VSWR	< 2.0:1
Polarization	Linear
Power handling	10 Watt cw
Feed point impedance	50 Ohms unbalanced
Size	22.86 mm x 12.70 mm x 0.79 mm
Weight	< 0.6 g.
Mounting	Tab mounted with plated through holes. See page 2
Keep out area	See diagram on page 3



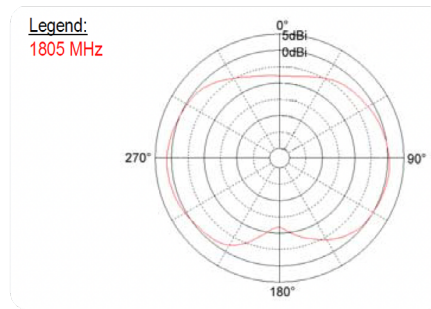
Test orientation in free space



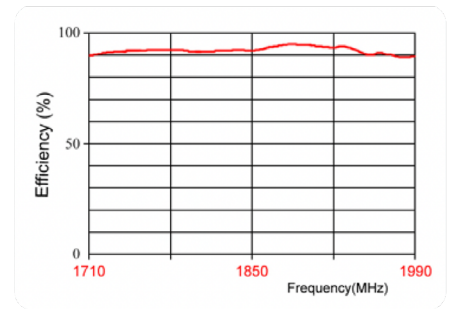
VSWR



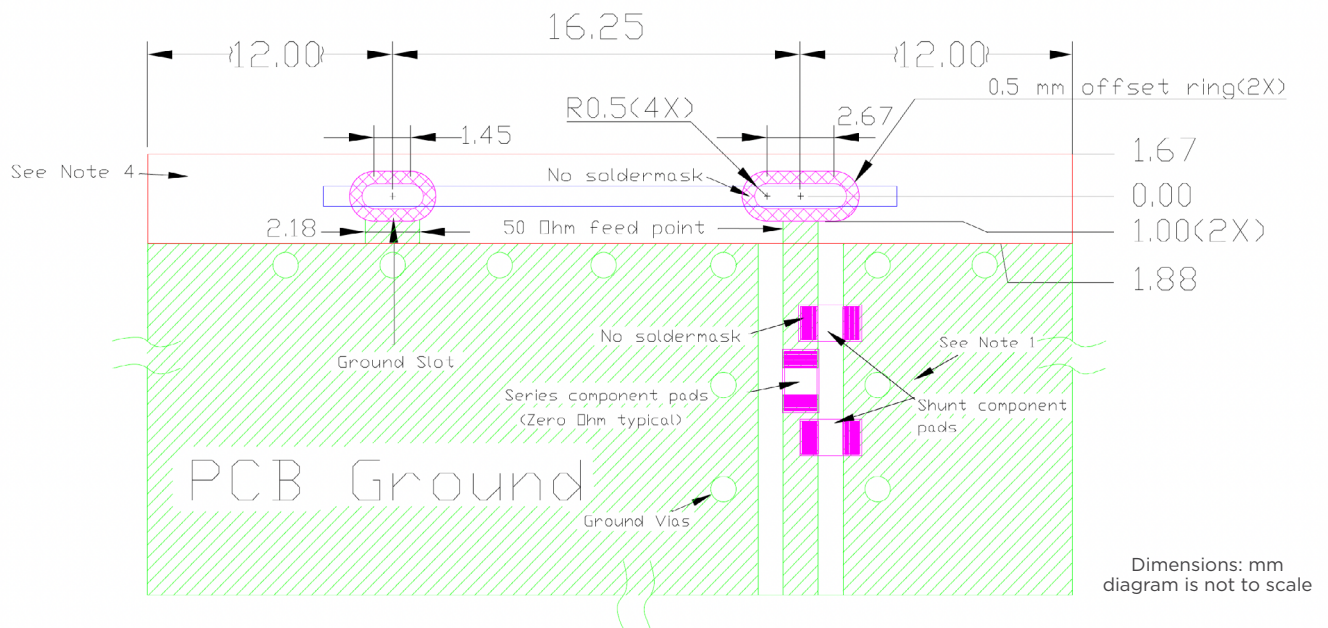
Azimuth



Elevation




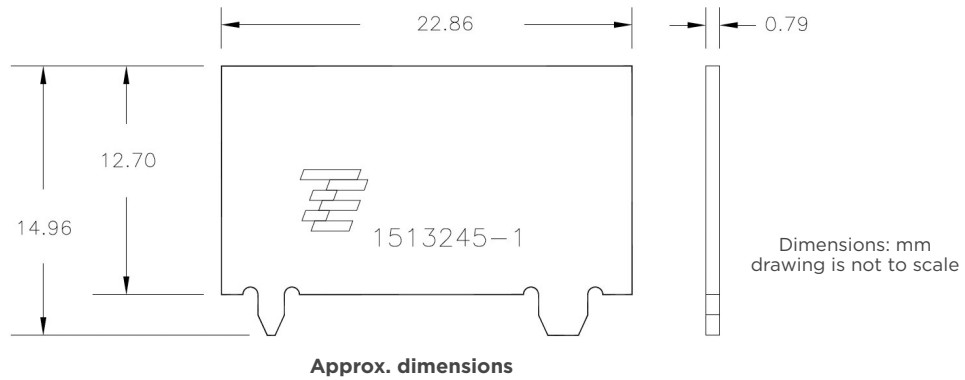
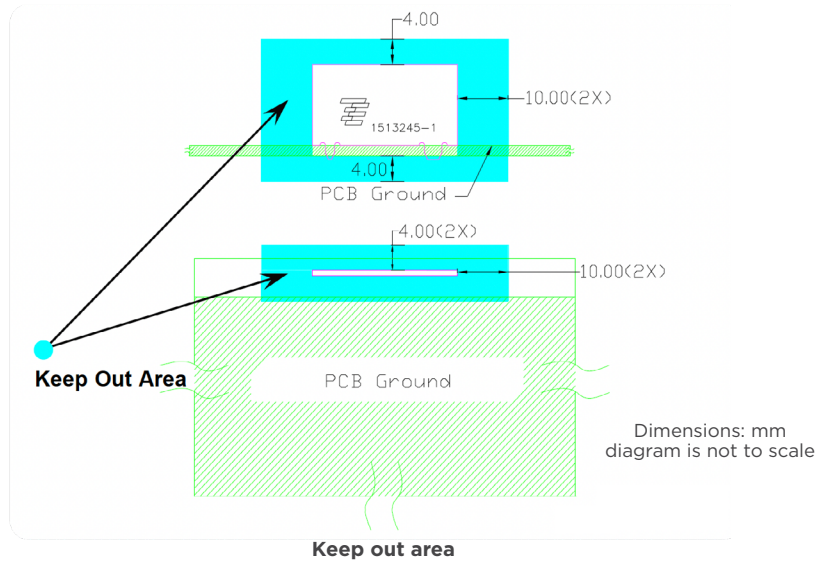
Efficiency



Mounting guide

### Notes:

1. Suggested matching component pads.
2. Antenna must be mounted on the edge of PCB.
3. NC = No connection (mechanical mounting pads).
4. No copper allowed in designated area on all PCB layers - 
5. For more information please call TE Connectivity.



## Learn more: [TE.com](https://www.te.com)

© 2023 TE Connectivity. All Rights Reserved.

TE Connectivity, TE connectivity (logo) and Every Connection Counts are trademarks owned or licensed by TE Connectivity. All other logos, products and/or company names referred to herein might be trademarks of their respective owners.

While TE has made every reasonable effort to ensure the accuracy of the information in this brochure, TE does not guarantee that it is error-free, nor does TE make any other representation, warranty or guarantee that the information is accurate, correct, reliable or current. TE reserves the right to make any adjustments to the information contained herein at any time without notice. TE expressly disclaims all implied warranties regarding the information contained herein, including, but not limited to, any implied warranties of merchantability or fitness for a particular purpose. The dimensions in this catalog are for reference purposes only and are subject to change without notice. Specifications are subject to change without notice. Consult TE for the latest dimensions and design specifications.

02/23 Original