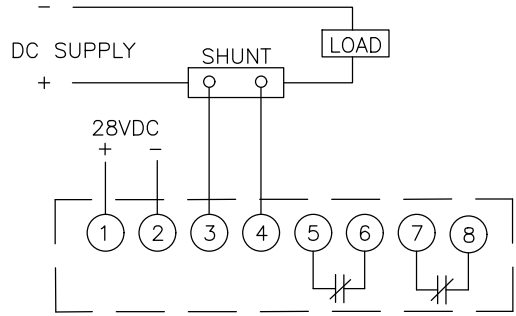
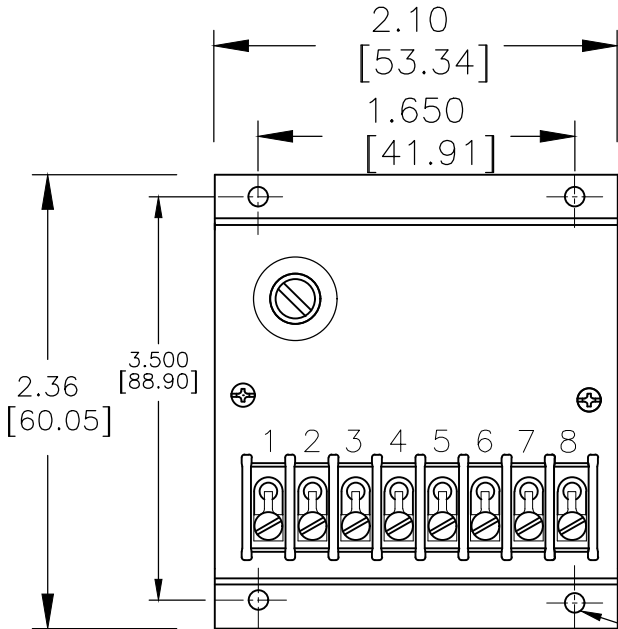


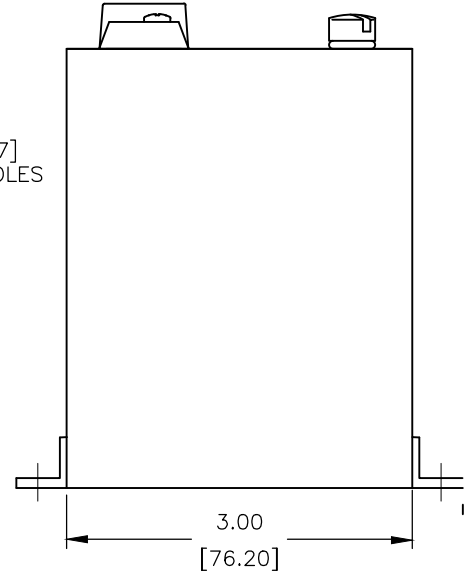
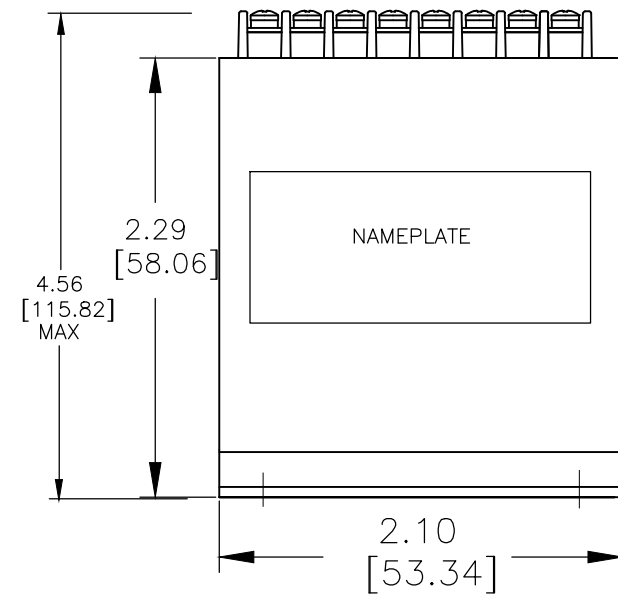
1100DC-22SX DC CURRENT RELAY

REVISIONS

REV.	ECO	DESCRIPTION	DATE	APPROVED
B	ECO-	-	22AUG2020	TN



ø.172[4.37]  
4 MTG HOLES



TITLE: DC CURRENT RELAY

TE P.N.: 1-1618060-7

DWG NO.: 1100DC-22SX

DS DATA SHEET

CAGE CODE: 18741

SCALE: NONE

SHEET: 1 OF 2


REV: B

SPECIFICATION 21-834

1. CONTROL : 18-32VDC (28VDC NOMINAL)
2. SENSING : 0-50mVDC (15VDC MAX.)
3. PICK-UP RANGE : 10-50mV, SCREWDRIVER ADJUSTABLE.
4. PICK-UP TIME DELAY : .5 ± .1SEC.
5. PICK-UP/DROP-OUT DIFFERENTIAL : 1mV TYPICAL.
6. SENSING INPUT RESISTANCE :10KΩ TYPICAL.
7. BURDEN : 3.5 WATTS TYPICAL
8. OPERATING TEMPERATURE : -40°C TO +75°C
9. OUTPUT CONTACTS : 2 SETS, NORMALLY CLOSED
- 10.CONTACT RATING : 2A RESISTIVE AT 120VAC OR 28VDC.
- 11.SHOCK,NON-OPERATING : 30G , 25mS
- 12.VIBRATION, NON-OPERATING : 5-300HZ , SINE WAVEFORM , 0.25 G
- 13.OPERATION : THE SELF CONTAINED OUTPUT RELAY ACTUATES WHEN THE CURRENT(SHUNT VOLTAGE DROP) EXCEEDS THE PRESET VALUE.
- 14.CONSTRUCTION : SOLID STATE SENSOR WITH RELAY OUTPUT ENCLOSED IN A SEALED STEEL HOUSING, PLATED PER MIL-T-10727, TYPE II .

NOTES.

1. REMOVE SCREW FOR ACCESS TO PICK-UP ADJUST.
2. CLOCKWISE ROTATION OF THE ADJUSTMENT POTENTIOMETER WILL RAISE THE PICK-UP POINT.
3. CONTACTS ARE SHOWN IN DE-ENERGIZED POSITION.

 TE CONNECTIVITY CARPINTERIA, CA 93013		TITLE DC CURRENT RELAY			
		TE P.N. 1-1618060-7		DWG NO. 1100DC-22SX	
DS	DATA SHEET	CAGE CODE 18741	SCALE NONE	SHEET 2 OF 2	REV B