

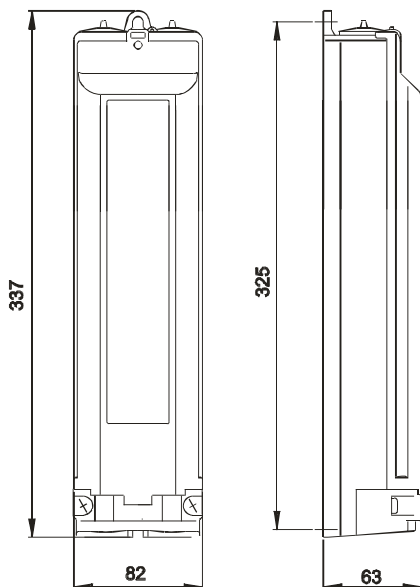
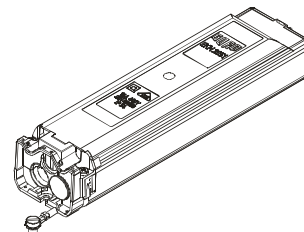
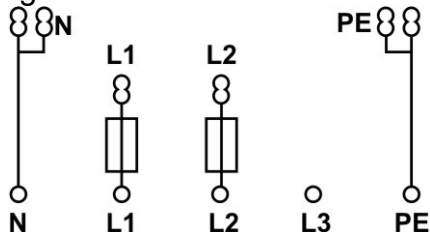
**EKM-2051-2D1-5S/S-E1**  
**Art.-Nr.: CS0600-000 (JOR-89801)**



**Fuse box for lighting application EKM 2051**  
**according to DIN 43628 / VDE 0660 T. 505 - with VDE-Symbol**  
explanation SK (for installation in lighting columns)

- protection class II
  - ingress protection IP 54
  - minimum diameter 89 mm
  - door opening minimum 85 x 400 mm
  - l x w x h: 337 x 82 x 63 mm
  - transparent cover with snap lock
  - protection cover
  - compact- terminal block comprising:
    - 2 fuse bases 16 A / D01-E 14,
    - 2 screw caps E 14
    - 5 sliding terminals
    - rail connection (brass rails, nickel-plated)
    - fully insulated PE- and N- output terminals
    - entry terminals for 2 cables to 4 x 25 mm<sup>2</sup> or 3 cables to 5 x 16 mm<sup>2</sup>
  - type of mains: N, L1, L2, <L3>, PE
  - extension of cable break out area (140 mm)
  - pre- mounting earthing cable, 10 mm<sup>2</sup>, green / yellow, 400 mm long, with captive screw M 8 x 12
  - 2 pole clamping screws M 6 x 12
  - cable entry: cable clamp for 1 cable to 3 cables  $\varnothing$  19-22 mm
  - output: 2 cable glands, cable  $\varnothing$  8-14 mm
- Two additional luminaire cables can be routed towards the bottom of the box.

Circuit diagram:



Cable entry

