

THIS DRAWING IS UNPUBLISHED.

RELEASED FOR PUBLICATION

REVISIONS

© COPYRIGHT - TE Connectivity Ltd.

ALL RIGHTS RESERVED.

P	LTR	DESCRIPTION	DATE	DWN	APVD
	A	INITIAL RELEASE	18NOV2019	RV	MB

OPERATIONAL CHARACTERISTICS

TIMING

Operate Time: 5.0 ms max.

Release Time: 5.0 ms max.

CONTACT BOUNCE

5.0 ms max.

DIELECTRIC WITHSTANDING VOLTAGE

Between Open Contacts:
500 Vrms 60 Hz

Between Adjacent Contacts:
1000 Vrms 60 Hz

Between Contacts and Coils:
1000 Vrms 60 Hz

INSULATION RESISTANCE

1,000 megohms min. @ 500 Vdc

ENVIRONMENTAL CHARACTERISTICS

TEMPERATURE RANGE

-65°C to +125°C

WEIGHT

0.28 oz. (8 grams) max.

VIBRATION RESISTANCE

20 G's, 10 to 2,000 Hz

SHOCK RESISTANCE

100 G's, 6 ±1 ms

DESIGNED TO

MIL-R-39016

FEATURES

- Hermetically sealed
- Up to 10 amps switching
- High shock & vibration ratings
- Optional terminals & mounting styles

ELECTRICAL CHARACTERISTICS

CONTACT ARRANGEMENT

1 Form C (SPDT)

CONTACT MATERIAL

Stationary: Hardened silver alloy

Moveable: Hardened silver alloy

CONTACT RESISTANCE

Before Life: 50 Milliohms max.
(measured at 10 mA @ 6 Vdc)

After Life: 100 Milliohms max.
(measured @ 1 A @28 Vdc)

CONTACT RATING

Contact Load: 10 A 28 Vdc

Type: Resistive

Operations min. 50,000

MECHANICAL LIFE EXPECTANCY

1 million operations min.

COIL VOLTAGE

6 to 26.5 Vdc

COIL POWER

1.4 watts max. @ 25°C

DUTY CYCLE

Continuous

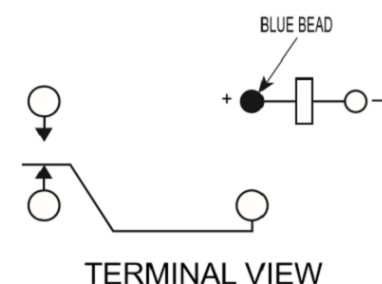
PICK-UP VOLTAGE

Approximately 50% of
nominal coil voltage

PICK-UP SENSITIVITY

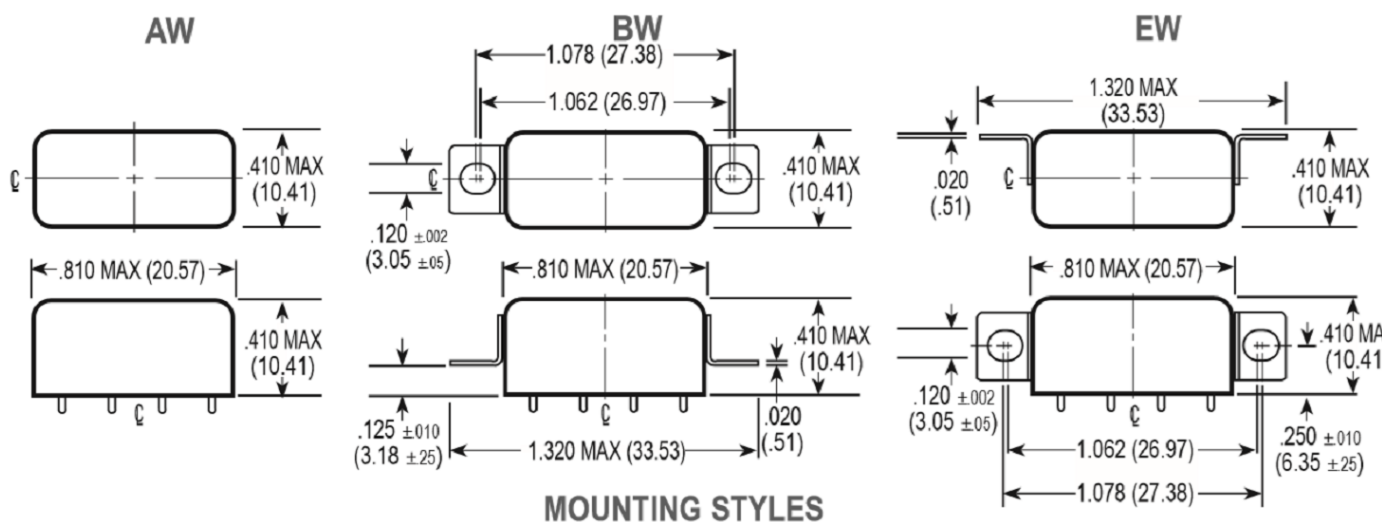
260 mW

SINGLE POLE, HALF SIZE
HIGH PERFORMANCE RELAY



STANDARD COIL DATA

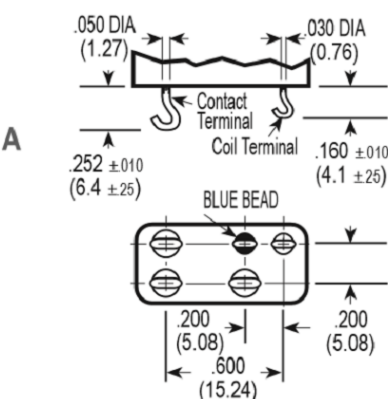
NOM. COIL VOLTAGE (Vdc)	COIL RESISTANCE IN OHMS ±10% @ 25°C	PICKUP VOLTAGE Vdc (MAX.) @ 25°C	PICKUP VOLTAGE Vdc (MAX.) @ 125°C	DROP-OUT VOLTAGE Vdc (MIN.) @ 25°C	DROP-OUT VOLTAGE Vdc (MIN.) @ -65°C	NOM. COIL POWER (W) @ 25°C	MAX. COIL VOLTAGE	COIL DESIG.
6.0	40	3.5	4.5	0.45	0.3	.9	8.0	6
12.0	160	6.5	9.0	0.9	0.6	.9	15.0	12
25.6	700	14.0	18.0	1.8	1.2	1.3	32.0	24



MOUNTING STYLES

SPECIFYING A PART NUMBER EXAMPLE:

TYPE MOUNTINGS CONTACTS COILS TERMINALS
 C BW- 1C- 24 B



ALL DIMENSIONS ARE IN INCHES(MM).

THIS DRAWING IS A CONTROLLED DOCUMENT.		DWN	RV	18NOV2019		NAME			
DIMENSIONS: INCHES		CHK	RV	18NOV2019		C-BW-SERIES			
TOLERANCES UNLESS OTHERWISE SPECIFIED:		APVD	MB	18NOV2019		-			
0 PLC ± - 1 PLC ± - 2 PLC ± - 3 PLC ± - 4 PLC ± - ANGLES ± -		PRODUCT SPEC		-					
MATERIAL		WEIGHT		-		SIZE	CAGE CODE	DRAWING NO	RESTRICTED TO
-		-		-		A3	-	C-C-BW-SERIES	-
CUSTOMER DRAWING				SCALE	NTS	SHEET	1 OF 1	REV	A