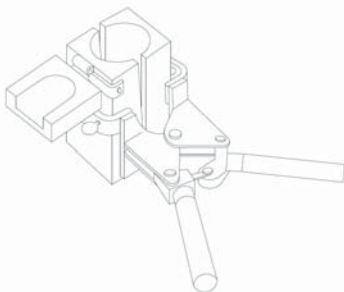


## TE's AMP Weld Premium Weld Material (Metal)

TE's AMP Weld premium weld material is a proprietary blend of copper oxides, aluminum and alloy elements to produce the highest yield welds available. The welding and starting materials are packaged by size in double cavity plastic tubes. The two materials are in separate chambers which ensures there is NEVER intermixing of the welding and starting materials. Steel disks are packaged along with the tubes in plastic boxes. These materials are nonexplosive and are not subject to spontaneous combustion.

AMP Weld Premium Weld Material		
Catalog Number	RPN	Pk Qty
25WM	2182587-1	20
32WM	2182587-2	20
45WM	2182587-3	20
65WM	2182587-4	20
90WM	2182587-5	10
115WM	2182587-6	10
150WM	2182587-7	10
200WM	2182587-8	10
250WM	2182587-9	10



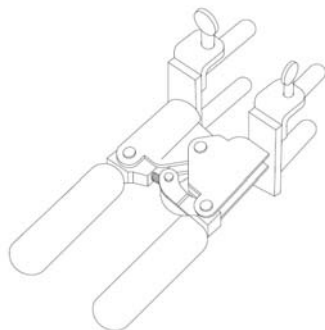
## TE's AMP Weld Molds

TE's AMP Weld molds are precision engineered and machined to provide superior results in the field. Molds are produced from high quality graphite and components allowing them to withstand repetitive heat cycles. The minimum life of a mold is 60-70 connections but if cared for properly can make over 100 connections. Mold Price Keys are used to convey mold configuration and handle clamps required.

Mold Price Key	Description
A	3 inch Wide Mold
B	4 inch Wide Mold

*Fewer Price Keys makes ordering easy  
Simplified Price Key structure significantly reduces cost to user*

## Mold Handle Clamps



Catalog Number	Description
HCLAMP-3	Use for A Price Molds
HCLAMP-4	Use for B Price Molds

TE's AMP Weld exothermically welded connections meets the requirements of IEEE std. 837-2014.