

# ACCESSORIES SLIM INTERFACE RELAY SNR

GENERAL PURPOSE RELAYS  
ACCESSORIES

## INTRODUCTION

TE's slim relay accessories consists of din rail sockets and accessories, module width offering in 6.2mm, both DC and AC versions, LED indicator as standard. Available in Screw terminals.

## FEATURES

- Jumper bars for interconnection.
- Fully featured with LED and protection circuit.
- Mounting on DIN-rail from top down.
- Marking Tags fit for use.
- Protection circuit.

## APPLICATIONS

- Interface technology
- Panel board
- Mechanical engineering
- Plant control



## APPROVALS

- VDE Cert. No. 40010063, cULus E224918



# RELAY PACKAGE SNR

## GENERAL PURPOSE RELAYS PRODUCT SETS

### TECHNICAL DATA

	<b>ST3F</b>	
Rated voltage/Max. switching voltage AC	240/400 VAC	
Rated current	6 A	
Dielectric strength coil-contact circuit	4000 Vrms	
Clearance / creepage coil-contact circuit	≥ 6/8 mm	
Material group of insulation parts	IIIa	
Insulation to IEC 60664-1		
Type of insulation		
Coil-contact circuit	reinforced	
Open contact circuit	functional	
Rated insulation voltage	250 V	
Pollution degree	2	
Rated voltage system	230 / 400 V	
Overvoltage category	III	
Contact material	AgSnO <sub>2</sub>	AgSnO <sub>2</sub> gold plated
Minimum contact load	100mA, 12V	50mW
Rated frequency of operation with/without load	6/1200 min-1	
Operate/release time	max 12/5 ms	
Bounce time NO/NC contact	max 3/8 ms	
Material compliance	EU RoHS/ELV, China RoHS, REACH, Halogen content refer to the Product Compliance Support Center at <a href="http://www.te.com/customer-support/rohssupportcenter">www.te.com/customer-support/rohssupportcenter</a>	
Ambient temperature range	-20...+55 °C	
Terminals	screw	
Terminal screw torque acc. IEC 61984	0.5 Nm	
max.	0.6 Nm	

### TECHNICAL DATA

Wire cross section	
Single wire	0.14...2.5 mm <sup>2</sup>
Fine wire	0.14...2.5 mm <sup>2</sup>
With bootlace crimp (DIN 46228/1)	0.14...2.5 mm <sup>2</sup>
Insertion cycles	A (10)
Max. Insertion Force total	100 N
Mounting distance	≥ 0 mm, dense packing
Weight	26 g
Packaging unit	10 pcs

### SOCKETS

Type		Part Number
<b>ST 3F LC4</b>	DIN-rail socket 24VDC, for relays 12/24/48 VDC, with LED, protection and polarity diode, screw terminals	2-1416100-0
<b>ST 3F TPO</b>	DIN-rail socket 230VAC/ VDC with LED and protection circuit, screw terminals	2-1416100-2

### ACCESSORIES

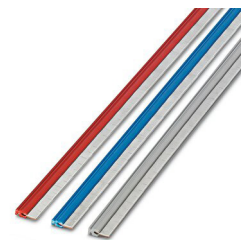
Type		Part Number
<b>ST 36 040</b>	Separation element	2-1416100-6
<b>ST 37 001</b>	Jumper bar, red, 500 mm	2-1416100-7
<b>ST 37 002</b>	Jumper bar, blue, 500 mm	2-1416100-8
<b>ST 37 003</b>	Jumper bar, grey, 500 mm	2-1416100-9
<b>ST 37 040</b>	Marking plate, consisting of 100 marking tabs	4-1416100-0



**ST 36 040**  
Separation element



**ST 37 040**  
Marking plate

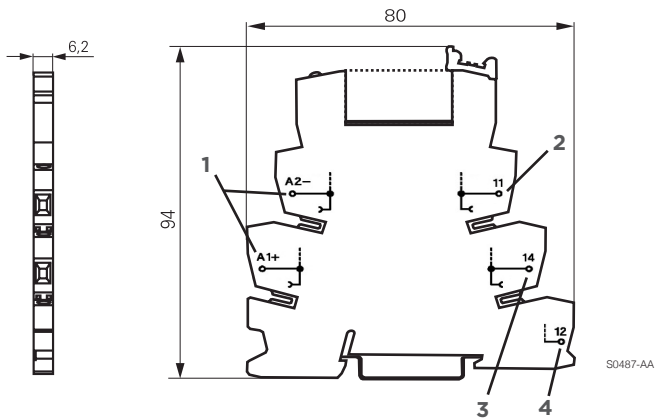


**ST 37 001,002,003**  
Jumper bar

### RELAY PACKAGES

Complete packages consisting of a relay mounted on a socket.	see Relay Package SNR
--	-----------------------

## DIMENSIONS (UNIT: mm)

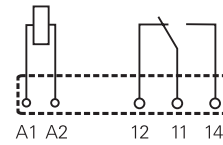


Version with  
screw terminals

1. Coil terminal with polarity definition A1+, A2-, screw terminal.
2. NC terminal, screw terminal.
3. CO terminal, screw terminal.
4. NO terminal, screw terminal.

## TERMINAL ASSIGNMENT

1 form C contact (1 CO)



### Notes:

1. Datasheets and product specification according to IEC 61810-1 and to be used only together with the 'Definitions' section.
2. Datasheets and product data is subject to the terms of the disclaimer and all chapters of the 'Definitions' section, available at <http://relays.te.com/definitions>.
3. Datasheets, product data, 'Definitions' section, application notes and all specifications are subject to change.

## te.com

©2023 TE Connectivity. All Rights Reserved.

TE Connectivity, TE Connectivity (logo) and Every Connection Counts are trademarks. All other logos, products and/or company names referred to herein might be trademarks of their respective owners.

While TE has made every reasonable effort to ensure the accuracy of the information in this document, TE does not guarantee that it is error-free, nor does TE make any other representation, warranty or guarantee that the information is accurate, correct, reliable or current. TE reserves the right to make any changes to the information contained herein without prior notice. TE Connectivity assumes only those obligations set forth in the terms and conditions for this product and shall in no event be liable for any incidental, indirect, or consequential damages arising out of the sale, resale, use, or misapplication of the product. TE expressly disclaims any implied warranties with respect to the information contained herein, including, but not limited to, implied warranties of merchantability or fitness for a particular purpose. Dimensions, specifications and/or information contained herein are for reference purposes only and are subject to change without notice. Consult TE for the latest dimensions, specifications and/or information. Users of TE Connectivity products must make their own assessment as to whether the respective product is suitable for the respective desired application.

Issue Date: 11/23 ED