



CARSMF10AMH4L-001

MHF4L to RP SMA Cable DC to 7.5 GHz

Cable assembly - MHF4L to Reverse Polarity SMA bulkhead jack, 100 mm, 1.13mm diameter coax

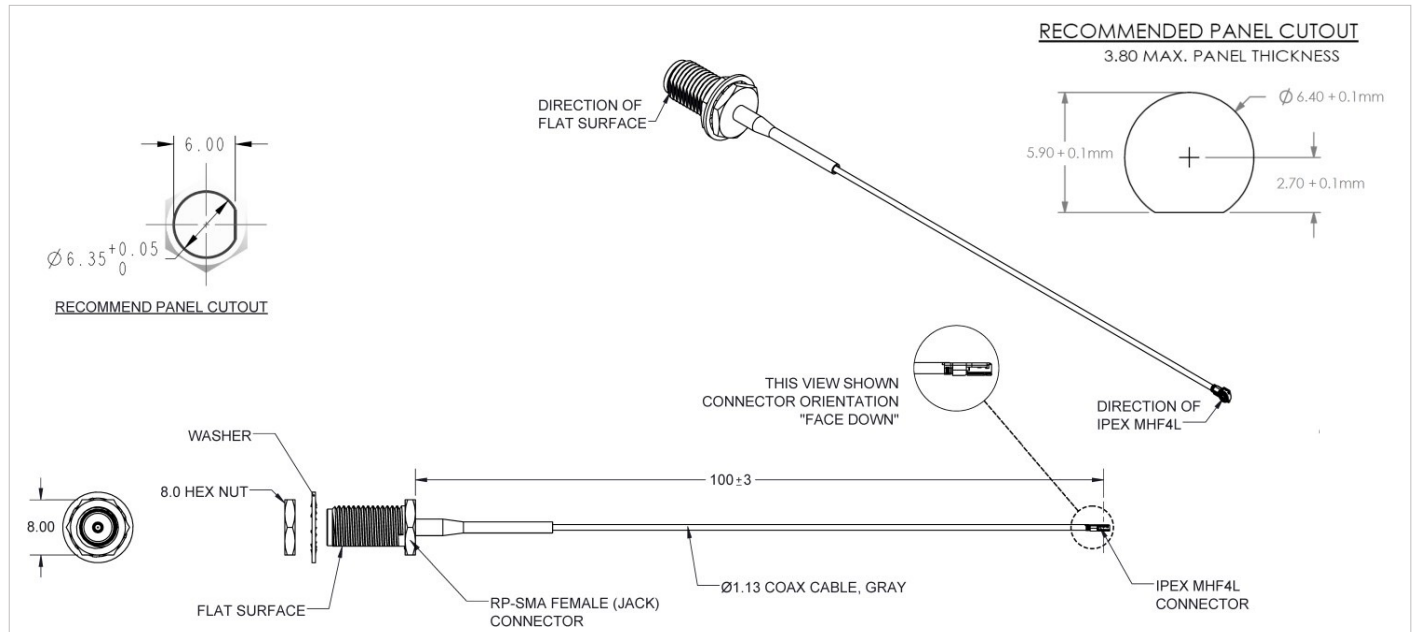
ELECTRICAL SPECIFICATIONS

Operating Frequency (MHz)	DC to 6 GHz
VSWR	< 1.25:1 @ 900 MHz
	< 1.25:1 @ 2440 MHz
	< 1.4:1 @ 4900 MHz
	< 1.4:1 @ 5900 MHz
	<1.8:1 @ 7500 MHz
IL (dB)	<0.9 dB @ 900 MHz
	<0.9 dB @ 2400 MHz
	<1.5 dB @ 4900 MHz
	<1.5 dB @ 5900 MHz
	<1.01 dB @ 7500 MHz
Bend Radius (Min.) - mm (in.)	6.8 (0.27)
Nominal Impedance (Ohms)	50
Operating Temperature - °C (°F)	--30 to +80°C (-22 to +176°F)

ORDERING INFORMATION

PART NUMBER	DESCRIPTION	CONNECTOR TYPE
CARSMF10AMH4L-001	1.13mm dia cable assembly, 100mm length	Reverse Polarity SMA Female Bulkhead / IPEX MHF4L

MECHANICAL DRAWINGS



TE TECHNICAL SUPPORT CENTER

USA:	+1 (800) 522-6752
Canada:	+1 (905) 475-6222
Mexico:	+52 (0) 55-1106-0800
Latin/S. America:	+54 (0) 11-4733-2200
Germany:	+49 (0) 6251-133-1999
UK:	+44 (0) 800-267666
France:	+33 (0) 1-3420-8686
Netherlands:	+31 (0) 73-6246-999
China:	+86 (0) 400-820-6015

te.com

TE Connectivity, TE Connectivity (logo) and Every Connection Counts are trademarks. All other logos, products and/or company names referred to herein might be trademarks of their respective owners.

The information given herein, including drawings, illustrations and schematics which are intended for illustration purposes only, is believed to be reliable. However, TE Connectivity makes no warranties as to its accuracy or completeness and disclaims any liability in connection with its use. TE Connectivity's obligations shall only be as set forth in TE Connectivity's Standard Terms and Conditions of Sale for this product and in no case will TE Connectivity be liable for any incidental, indirect or consequential damages arising out of the sale, resale, use or misuse of the product. Users of TE Connectivity products should make their own evaluation to determine the suitability of each such product for the specific application.

TE warrants to the original end user customer of its products that its products are free from defects in material and workmanship. Subject to conditions and limitations TE will, at its option, either repair or replace any part of its products that prove defective because of improper workmanship or materials. This limited warranty is in force for the useful lifetime of the original end product into which the TE product is installed. Useful lifetime of the original end product may vary but is not to exceed five (5) years from the original date of the end product purchase.

©2021 TE Connectivity. All Rights Reserved.

12/21 Original

