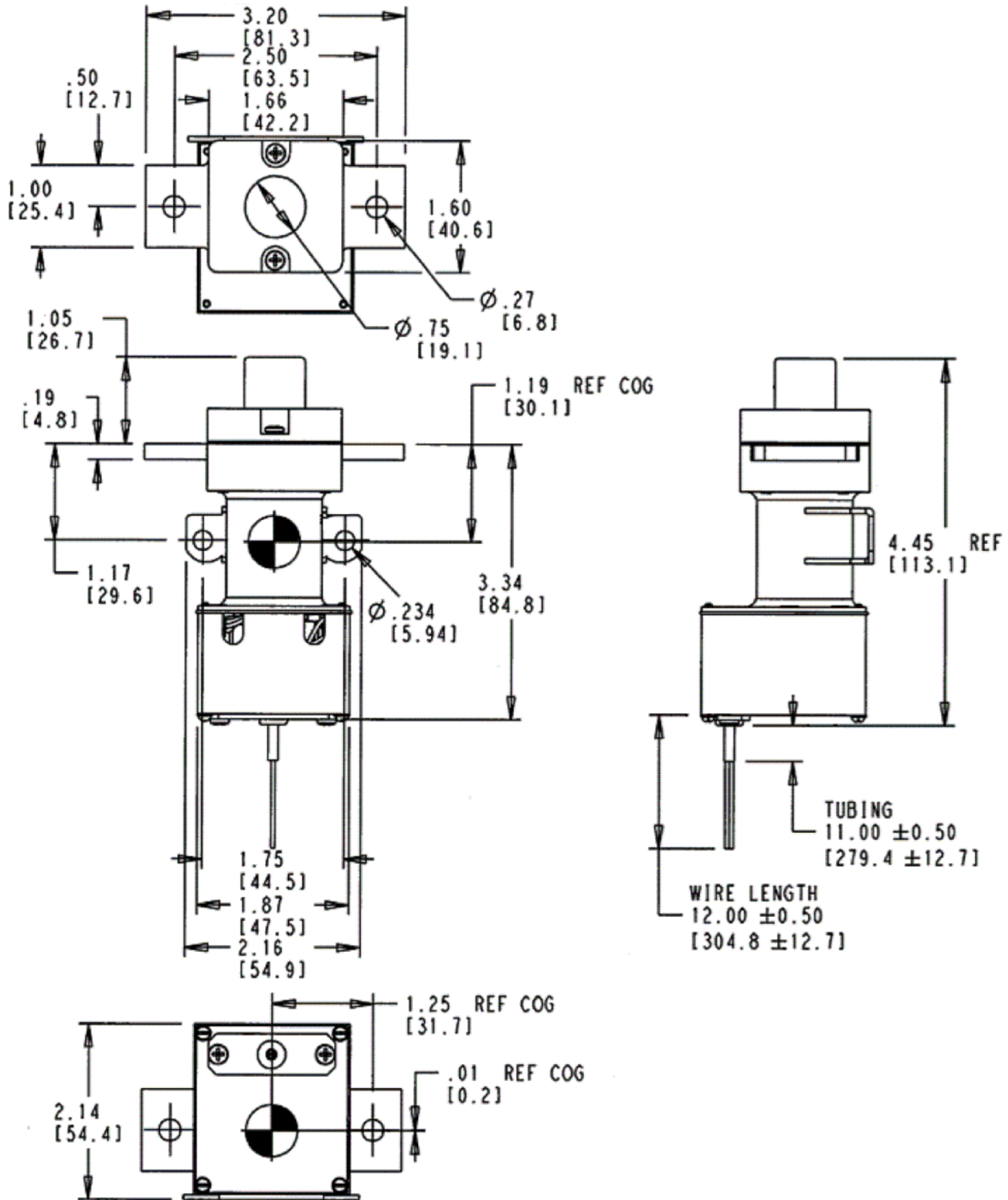


K500A1E2
 CONTACTOR 500 AMP SPST NO
 28 VDC TIME DELAY

REVISIONS

REV.	ECO	DESCRIPTION	DATE	APPROVED
A	-	INITIAL RELEASE	31MAY2013	RSS



ALL DIMENSIONS ARE IN INCHES



TE CONNECTIVITY
 175 N. DIAMOND STREET MANSFIELD,
 OHIO 44902

TITLE

CONTACTOR 500 AMP SPST NO
 28 VDC TIME DELAY

TE P.N.

9-1616990-1

DWG NO.

K500A1E2

DS

DATA SHEET

CAGE CODE
 74063

SCALE
 NONE

SHEET
 1 OF 2

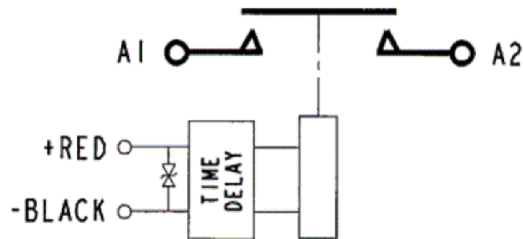
REV
 A

GENERAL SPECIFICATION

<p>CONSTRUCTION MAIN CONTACTS CONFIGURATION VOLTAGE CURRENT MOTOR</p>	<p>GASKET SEALED SPST N.O. DOUBLE BREAK 28 VDC 1500 AMPERE DECREASING TO 1000 AMPERE IN 15 SECONDS FOR A TOTAL CYCLE OF 45 SECONDS AT -54°C 1400 AMPERE DECREASING TO 600 AMPERE IN 30 SECONDS AT +25°C 1000 AMPERE DECREASING TO 625 AMPERE IN 15 SECONDS FOR A TOTAL CYCLE OF 45 SECONDS AT +85°C</p>
<p>COIL DATA DUTY CYCLE NOM OPERATE VOLTAGE OPERATING VOLTAGE RANGE DROPOUT VOLTAGE COIL CURRENT</p>	<p>INTERMITTENT 28 VDC 21.5 TO 32.5 VDC 5.6 VDC AT +85°C 4 VDC AT -54°C 3 AMPS MAX</p>
<p>TIME DELAY DELAY ON OPERATE</p>	<p>0.5 to 0.7 SECONDS MAX</p>
<p>ENVIRONMENTAL DATA TEMPERATURE OPERATING TEMPERATURE GROUND SURVIVAL ALTITUDE</p>	<p>-55°C TO +85°C -55°C TO +85°C 55,000 FEET</p>
<p>WEIGHT (EST.)</p>	<p>1.00 LBS</p>

- TIME DELAY IS A MIL-PRF-83726 TYPE DEVICE (TD228C-5500-1)
- TIME DELAY MUST BE DATE LOT CODE MARCH 18, 2013 AND SUBSEQUENT
- LIMITED TO 3 CONSECUTIVE CYCLES, THEN 60 MINUTE WAIT
- TRANSORB IS 15KP54CA/15KPA54CA

SCHEMATIC



TE CONNECTIVITY
 175 N. DIAMOND STREET MANSFIELD,
 OHIO 44902

TITLE

CONTACTOR 500 AMP SPST NO
 28 VDC TIME DELAY

TE P.N.

9-1616990-1

DWG NO.

K500A1E2

DS

DATA SHEET

CAGE CODE
 74063

SCALE
 NONE

SHEET
 2 OF 2

REV
 A