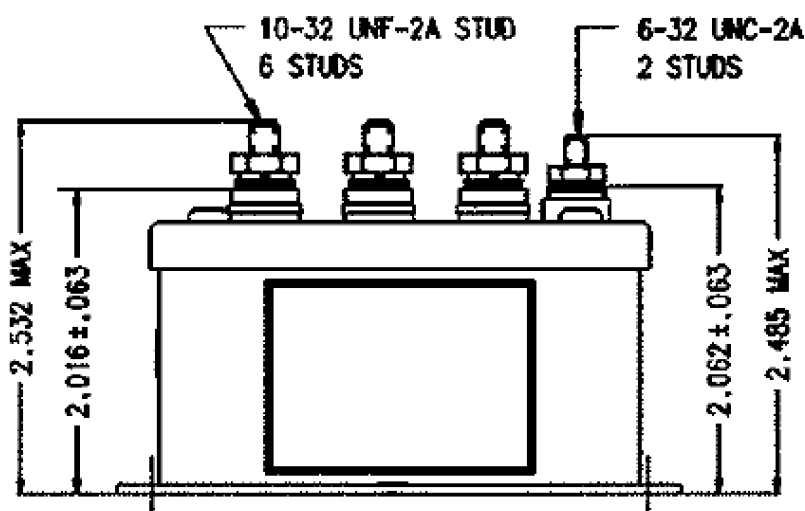
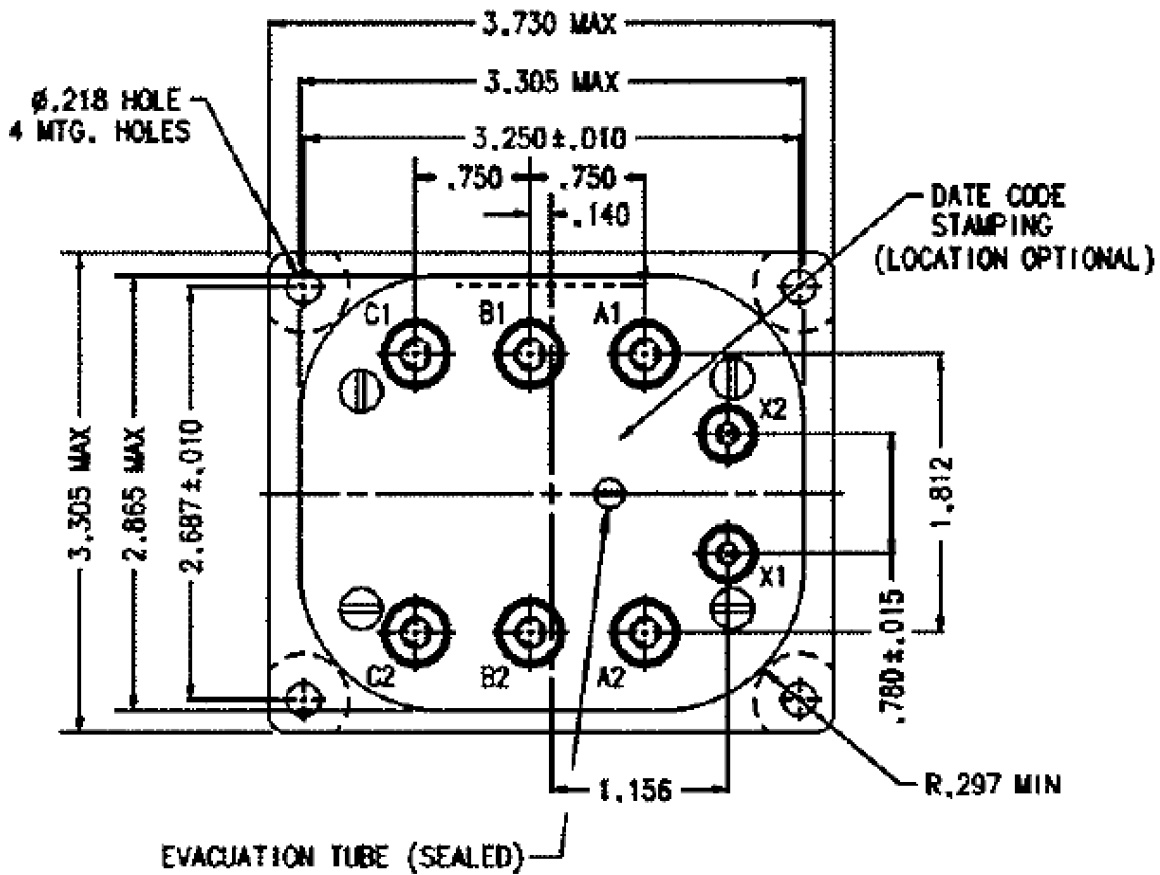


REVISIONS

REV.	ECO	DESCRIPTION	DATE	APPROVED
C	0249-03	REMOVED NOTES 3, 4, 5 AND 8	05MAR2003	CC

BHR-316

RELAY-50 AMP, 115 VAC,
50-60/400 HZ



ALL DIMENSIONS ARE IN INCHES



TE CONNECTIVITY
175 N. DIAMOND STREET MANSFIELD,
OHIO 44902

TITLE

RELAY-50 AMP, 115 VAC,
50-60/400 HZ

TE P.N.

8-1616919-5

DWG NO.

BHR-316

DS DATA SHEET

CAGE CODE
74063

SCALE
NONE

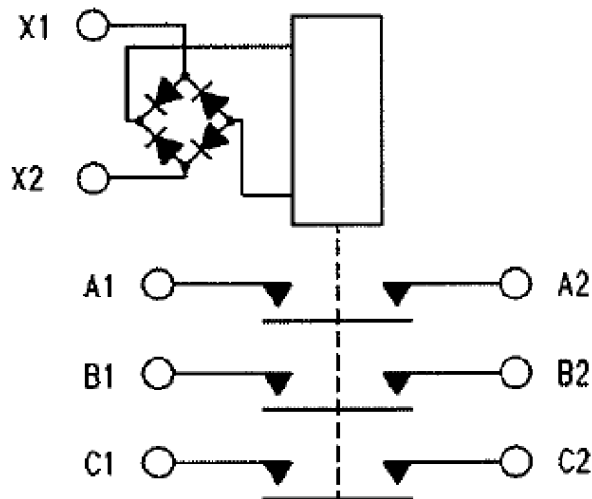
SHEET
1 OF 2

REV
C

GENERAL SPECIFICATION

CONSTRUCTION	HERMETIC SEALED, REPAIRABLE	
MAIN CONTACT	3PST N.O.	
CONFIGURATION	115 VAC 50-60/400 HZ	
VOLTAGE	50-60 HZ 400 HZ	
CURRENT AT 125° C	RESISTIVE	25 AMP 50 AMP
	MOTOR	25 AMP 50 AMP
	INDUCTIVE	25 AMP 50 AMP
	LAMP	25 AMP 25 AMP
COIL DATA	CONTINUOUS DUTY	
RATING	115 VAC	
NOMINAL VOLTAGE	75 VAC MAX.	
PICKUP VOLTAGE	6-30 VAC	
DROPOUT VOLTAGE		
AMBIENT TEMPERATURE	-55° TO +125°C	
LIFE ELECTRICAL	50,000 CYCLES	
LIFE MECHANICAL	100,000 CYCLES	
WEIGHT	1.15 LBS. MAX.	

SCHEMATIC



TE CONNECTIVITY
175 N. DIAMOND STREET MANSFIELD,
OHIO 44902

TITLE

RELAY-50 AMP, 115 VAC,
50-60/400 HZ

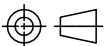
TE P.N.

8-1616919-5

DWG NO.

BHR-316

THIRD ANGLE PROJECTION



THIS DRAWING PREPARED
IN ACCORDANCE WITH
ANSI/ASMEY14.5M-1982

CAGE CODE

74063

SCALE

NONE

SHEET

2 OF 2

REV

C