

MODEL 4835A TRIAXIAL ACCELEROMETER



SPECIFICATIONS

- **MEMS DC Triaxial Accelerometer**
- **Ultra-Stable, DC to 2000Hz Response**
- **Light Weight Welded Titanium**
- **<2.0% Total Error Band**
- **<0.1% Linearity Accuracy**
- **Exceptional Thermal Performance**

FEATURES

- $\pm 2g$ to $\pm 200g$ Dynamic Range
- Hermetically Sealed, Detachable Cable
- Amplified Output, Signal Conditioned
- Gas Damped MEMS Sensors
- 4 to 30Vdc Excitation Voltage
- 6000g Shock Protection

APPLICATIONS

- Low Frequency Monitoring
- Flight and Ground Testing
- Road Vehicle Testing
- Test and Instrumentation
- Performance Testing
- Transportation Applications

The Model 4835A is an ultra-stable MEMS DC triaxial accelerometer packaged in a rugged, welded Titanium housing. The model 4835A accelerometers incorporate gas damped silicon variable capacitance MEMS sensing elements with integral over-range stops for high-g shock protection. with exceptional performance over a full operating temperature range of -55°C to $+125^{\circ}\text{C}$. The accelerometers are available in ranges from ± 2 to $\pm 200g$ with a wide bandwidth from DC to 2000Hz.

For single axis version, TE Connectivity also offers the model 4604, 4610 and 4810A accelerometers.

PERFORMANCE SPECIFICATIONS

All values are typical at +24°C, 80Hz and 12Vdc excitation unless otherwise stated. TE Connectivity reserves the right to update and change these specifications without notice.

Parameters								Notes
DYNAMIC								
Range (g)	±2	±5	±10	±30	±50	±100	±200	
Sensitivity, Differential (mV/g)	1000	400	200	67	40	20	10	±5%
Frequency Response (Hz)	0-250	0-700	0-1000	0-1500	0-1500	0-1500	0-1500	±5%
Frequency Response (Hz)	0-500	0-1000	0-1500	0-2000	0-2000	0-2000	0-2000	±1dB
Non-Linearity (%FSO)	±0.1	±0.1	±0.1	±0.1	±0.1	±0.1	±0.1	
Transverse Sensitivity (%)	<3	<3	<3	<3	<3	<3	<3	<1 Typical
Damping Ratio	0.7	0.7	0.7	0.7	0.7	0.7	0.7	
Shock Limit (g)	6000	6000	6000	6000	6000	6000	6000	
Residual Noise (µV RMS)	360	380	400	440	480	500	500	Passband
Spectral Noise (µg/√Hz)	14	28	45	137	231	464	920	Passband
ELECTRICAL								
Zero Acceleration Output (mV)	±50							Differential
Excitation Voltage (Vdc)	4 to 30							
Excitation Current (mA)	<21 total							
Common Mode Voltage (Vdc)	1.22							
Full Scale Output (differential)	±2 Vpk (FSO=2V)							
Full Scale Output (single-ended)	+0.22 to 2.22 Vpk (FSO=1V)							
Output Resistance (Ω)	<100							
Insulation Resistance (MΩ)	>100							@100Vdc
Turn On Time (msec)	<100							
Ground Isolation	Isolated from Mounting Surface							
ENVIRONMENTAL								
Thermal Zero Shift (%FSO/°C)	±0.004							Typical
Thermal Sensitivity Shift (%/°C)	±0.008							Typical
Operating Temperature (°C)	-55 to 125							
Storage Temperature (°C)	-55 to 125							
Humidity	Hermetically Sealed, IP67 ¹							
Total Error Band	<2% (RSS of Non-Linearity, Thermal Zero Shift, and Thermal Sensitivity Shift)							
PHYSICAL								
Case Material	Titanium							
Weight (grams)	22							
Mounting	2x #4 or M3 Screws							
Mounting Torque	6 lb-in (0.7 N-m)							

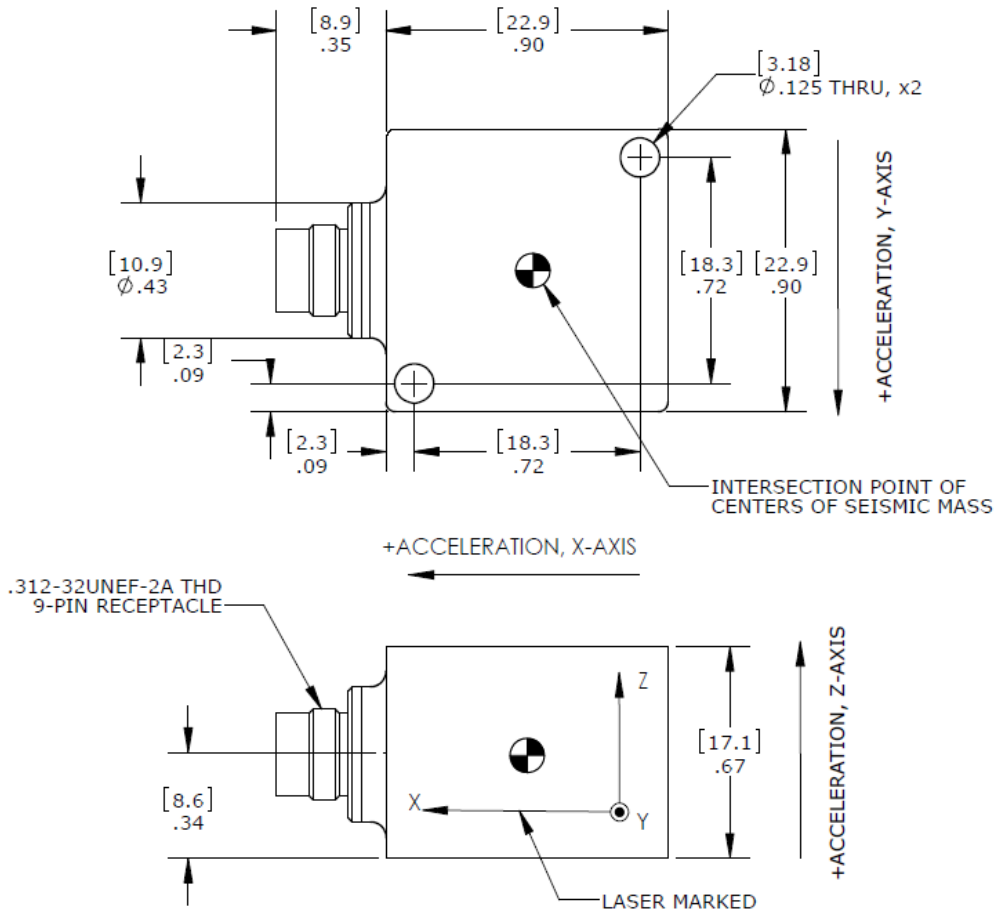
¹ Mating cable needs to also have minimum IP67 rating and be properly sealed to accelerometer connector in accordance with IEC 60529.

Calibration supplied:	CS-FREQ-0100	NIST Traceable Amplitude Calibration from 20Hz to ±5% Frequency Response Limit
Supplied accessories:	AC-D02995	2x #4-40 (7/8" length) Socket Head Cap Screw and Washer
Optional accessories:	371-120 121	Mating Cable Assembly, (XXX designates length in inches, 10ft standard) 3-Channel Precision Low Noise DC Amplifier

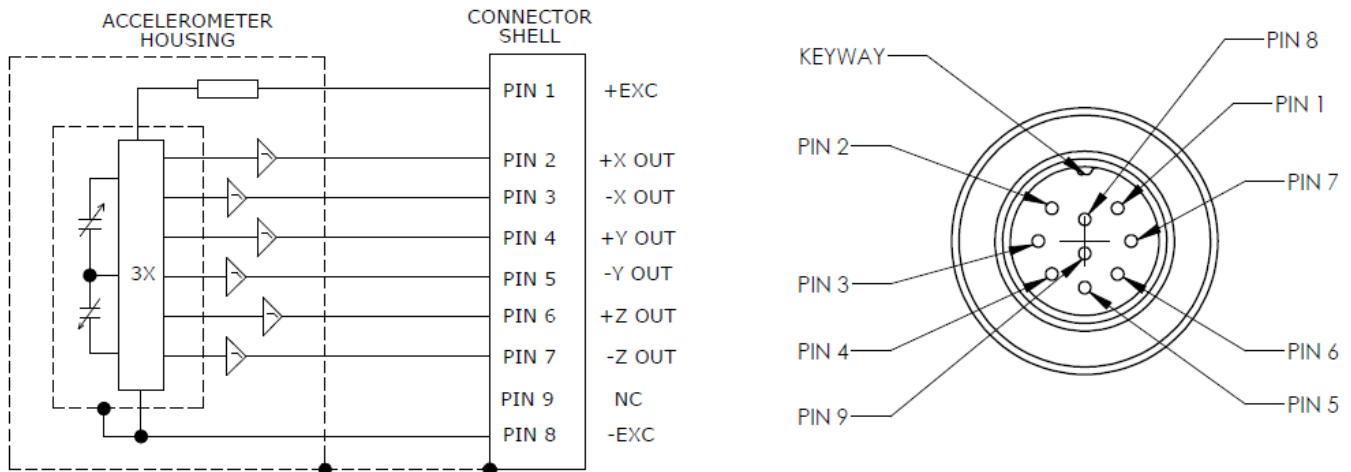
The information in this sheet has been carefully reviewed and is believed to be accurate; however, no responsibility is assumed for inaccuracies. Furthermore, this information does not convey to the purchaser of such devices any license under the patent rights to the manufacturer. TE Connectivity reserves the right to make changes without further notice to any product herein. TE Connectivity makes no warranty, representation or guarantee regarding the suitability of its product for any particular purpose, nor does TE Connectivity assume any liability arising out of the application or use of any product or circuit and specifically disclaims any and all liability, including without limitation consequential or incidental damages. Typical parameters can and do vary in different applications. All operating parameters must be validated for each customer application by customer's technical experts. TE Connectivity does not convey any license under its patent rights nor the rights of others.

MODEL 4835A ACCELEROMETER

DIMENSIONS



SCHEMATIC



ORDERING INFORMATION

4835A	GGGG	D
Range		
0002=2g		
0005=5g		
0010=10g		
0030=30g		
0050=50g		
0100=100g		
0200=200g		

Example; 4835A-0030-D
 Model 4835A, 30g range

NORTH AMERICA

Measurement Specialties, Inc.,
a TE Connectivity Company
Tel: 800-522-6752
customercare.hmpt@te.com

EUROPE

MEAS France SAS
a TE Connectivity Company
Tel: +31 73 624 6999
customercare.lcsb@te.com

ASIA

Measurement Specialties (China), Ltd.,
a TE Connectivity Company
Tel: 0400-820-6015
customercare.shzn@te.com

TE.com/sensorsolutions

MEAS France SAS and Measurement Specialties (China), Inc., are TE Connectivity companies.

TE Connectivity, TE, TE connectivity (logo) are trademarks. All other logos, products and/or company names referred to herein might be trademarks of their respective owners.

The information given herein, including drawings, illustrations and schematics which are intended for illustration purposes only, is believed to be reliable. However, TE Connectivity makes no warranties as to its accuracy or completeness and disclaims any liability in connection with its use. TE Connectivity's obligations shall only be as set forth in TE Connectivity's Standard Terms and Conditions of Sale for this product and in no case will TE Connectivity be liable for any incidental, indirect or consequential damages arising out of the sale, resale, use or misuse of the product. Users of TE Connectivity products should make their own evaluation to determine the suitability of each such product for the specific application.

© 2017 TE Connectivity Ltd. All Rights Reserved.