

2178299-1

6.3 mm(.250) F-SPRING FASTON LOW INSERTION FORCE



Description F-SPRING CONTACT LOW INSERTION FORCE RECEPTACLE
Wire section range 0.5~1 sqmm (AWG # 20- #18)
Max. Insulator 2.5mm

Materials, Temperature & Contact resistance

Part number	Material	Finishing	Max. temp.(C°)	Resistance(mΩ)
2178299-1	Steel	Nickel-plated	400	0.99

Note: Temperature per IEC 61210 standard. Contact resistance test method per IEC 60512 Standard

Material thickness 0.4mm

Current carrying capability

Wire range (AWG)	Continues rated current (A)
20AWG	5
18AWG	7

Note: Current carrying capacity according to wire size per IEC 61210

Insertion/Withdrawal forces

	TE connectivity	
	Spec	Typical value
1 st Insertion	35N max.	< 30N
1 st Withdrawal	40N min.	50N< X <60N
6 th Withdrawal	20N min.	> 30N

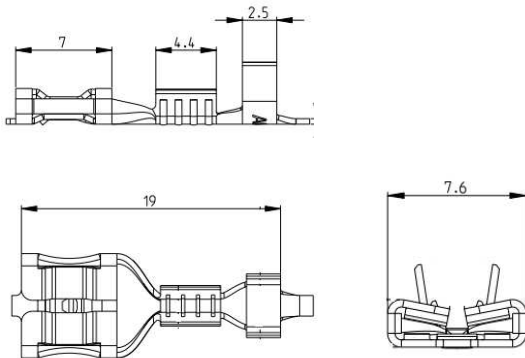
Applicator part number 2150340-1
Application spec 114- 64027
Product spec 108- 64027
Wire strping length 6.4mm±0.5

Crimping parameters & Pull out force

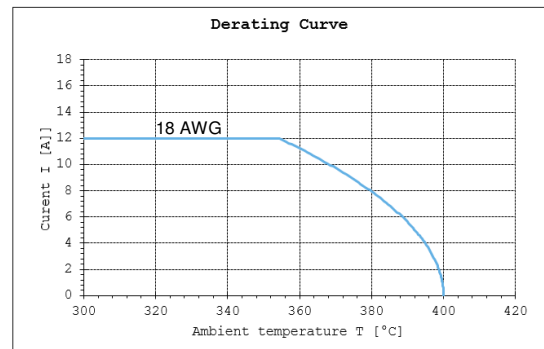
Wire range(AWG)	Conductor		Insulator	Pull-out force		
	Height(mm)	Width(mm)	Width(mm)	UL 310(N)	IEC 61210(N)	Measured(N)
20	1.35	2.03 "F"	3.2	58N Min..	58N Min.	126.6(AVG.)
18	1.47	2.03 "F"	3.2	89N Min.	89N Min.	180.1(AVG.)

Packing 5000 Pieces per reel, 15000 Pieces per box,
Approvals UL certification No.: E66717-20150429; VDE certification No: 40043271; RoHS Compliant; Reach Compliant.

Drawing



Derating curve



Note: Maximum current VS maximum ambient temperature