

MODEL 40A CRASH TEST ACCELEROMETER

Specifications

- Critically Damped DC Accelerometer
- Pedestrian Impact Testing
- Compliant to SAE J211/J2570
- Compliant to ISO 6487
- $\pm 25g$ to $\pm 2000g$ Dynamic Range
- Temperature Compensated

Features

- Low Transverse Sensitivity
- Critical 0.7 Damping Ratio
- Standard $<25mV$ ZMO
- 10,000g Shock Protection
- 2-10Vdc Excitation
- Silicon Piezoresistive Elements
- $-20^{\circ}C$ to $+80^{\circ}C$ Temperature Range

Applications

- Anthropomorphic Dummy Instrumentation
- Crush Zone Testing
- Pedestrian Impact Testing
- Auto Safety Testing Applications
- Shock and Impact Testing
- Transient Drop Testing
- Munitions Testing

The TE Connectivity model 40A is a critically fluid damped DC accelerometer designed for anthropomorphic dummy and pedestrian impact testing and is compliant with the latest SAE J211/J2570 safety regulations. The accelerometer features a full bridge output configuration with built-in mechanical over-range stops for optimum protection. The model 40A accelerometer has a standard cross-talk accuracy of $<3\%$ (with option for $<1\%$) and a standard ZMO of $<\pm 25mV$.

The model 40A crash test accelerometer is offered in ranges from $\pm 25g$ to $\pm 2000g$ and features anodized aluminum housing with an industry standard mounting footprint.

The crash test accelerometer has a standard operating temperature range of $-20^{\circ}C$ to $+80^{\circ}C$ and is environmentally sealed with an integral cable strain relief. The flexible cable is also designed for high-g impact testing with minimal triboelectric induced noise.

For a triaxial option, TE Connectivity also offers the critically damped model 43 accelerometer with identical performance.

[CLICK HERE >](#)
CONNECT WITH A SPECIALIST

MODEL 40A ACCELEROMETER

Performance Specifications

All values are typical at +24°C, 80Hz and 10Vdc excitation unless otherwise stated. TE Connectivity reserves the right to update and change these specifications without notice.

PARAMETERS

DYNAMIC							NOTES
Range (g)	±25	±100	±250	±500	±1000	±2000	
Sensitivity (mV/g) ¹	6.0	1.5	0.60	0.30	0.15	0.075	@10Vdc Excitation
Frequency Response (Hz)	0-200	0-400	0-600	0-1100	0-1500	0-2500	±2.5%/-8%
	0-350	0-675	0-1100	0-2000	0-2700	0-4500	±2.5%/-20%
Natural Frequency (Hz)	>800	>1500	>2500	>4500	>6000	>10000	
Transverse Sensitivity (%)	<3	<3	<3	<3	<3	<3	<1% Option
Non-Linearity (%FSO)	<±1	<±1	<±1	<±1	<±1	<±1	
Damping Ratio	0.7	0.7	0.7	0.7	0.7	0.7	Typical
Shock Limit (g)	5000	10000	10000	10000	10000	10000	

ELECTRICAL

Zero Acceleration Output (mV)	<±25	Differential
Excitation Voltage (Vdc)	2 to 10	
Input Resistance (Ω)	2000	Nominal
Output Resistance (Ω)	1000	Nominal
Insulation Resistance (MΩ)	>100	@100Vdc
Residual Noise (μV RMS)	<10	
Ground Isolation	Isolated from mounting surface	

ENVIRONMENTAL

Thermal Zero Shift (mV)	±3.0	From -10°C to +50°C
Thermal Sensitivity Shift (%/°C)	±0.1	From -10°C to +50°C
Operating Temperature (°C)	-20 to +80	
Humidity	Epoxy Sealed, IP65	

PHYSICAL

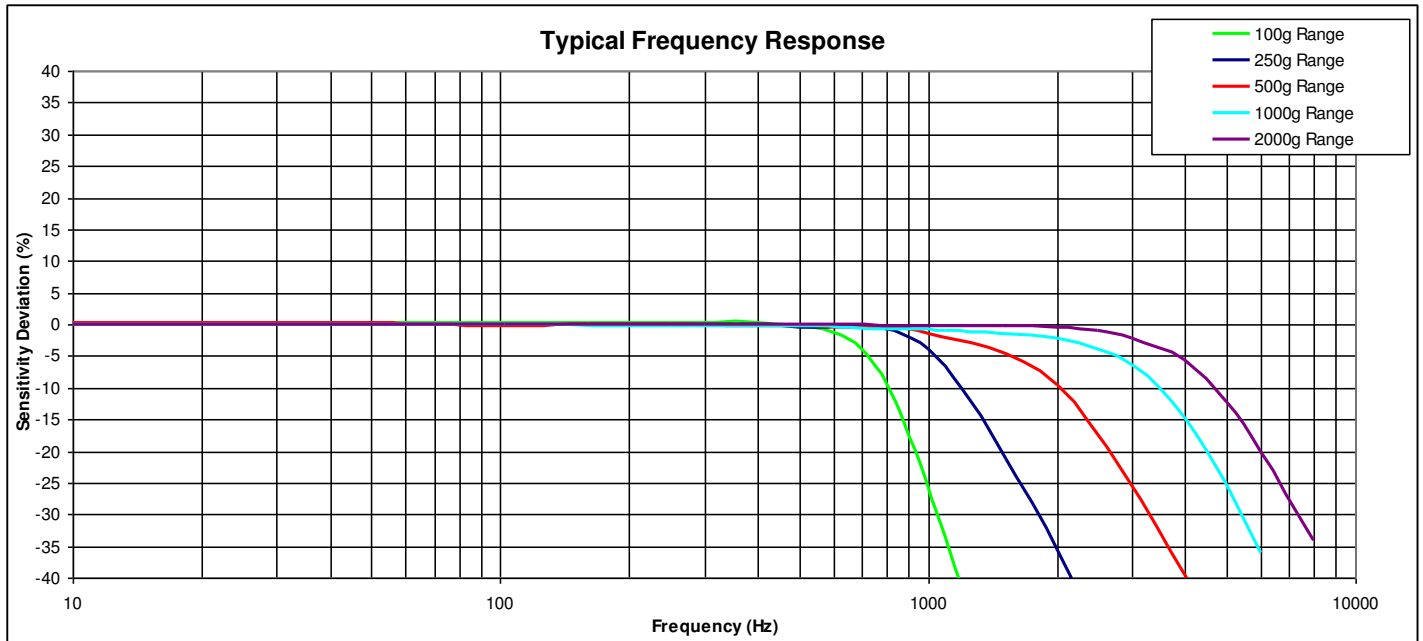
Case Material	Anodized Aluminum	
Cable	5x #30 AWG Leads, PFA Insulated, Braided Shield, PU Jacket	
Weight (grams)	<5	Cable not included
Mounting	2x #0- 80 x 3/16" Socket Head Cap Screws	
Mounting Torque	1.0-1.5 lb-in (0.11-0.17 Nm)	

¹ Output is ratiometric to excitation voltage. Tolerance is +50%/-30%.

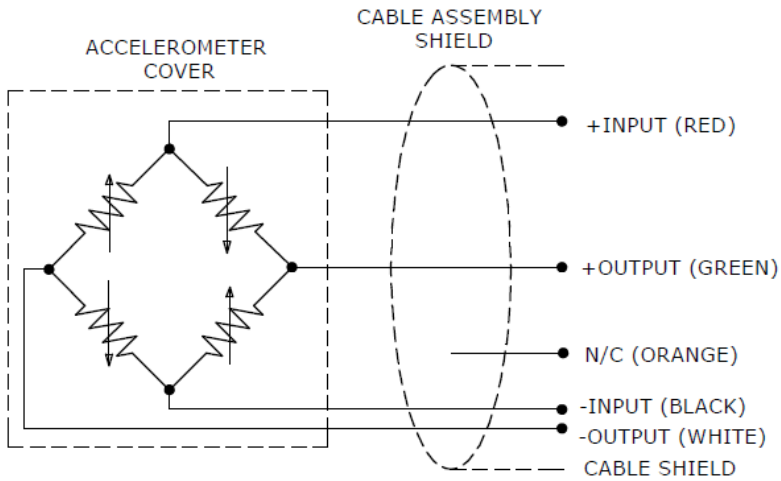
Calibration supplied:	CS-FREQ-0100	NIST Traceable Amplitude Calibration from 20Hz to Upper Frequency Limit
Supplied accessories:	AC-A03923	2x #0-80 (3/16" length) Socket Head Cap Screw, 2x #0 Washer, 1x Allen Key
Optional accessories:	MTG-E2 121	Triaxial Mounting Block 3-Channel Precision Low Noise DC Amplifier

MODEL 40A ACCELEROMETER

Typical Frequency Response

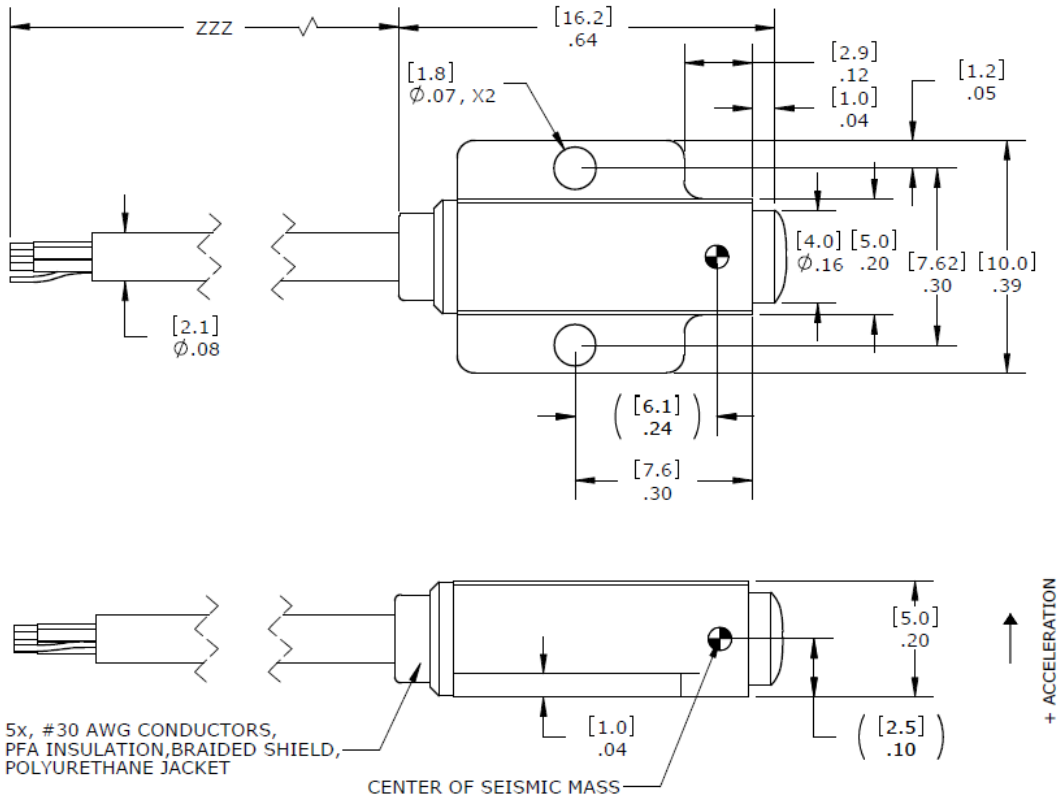


Schematic

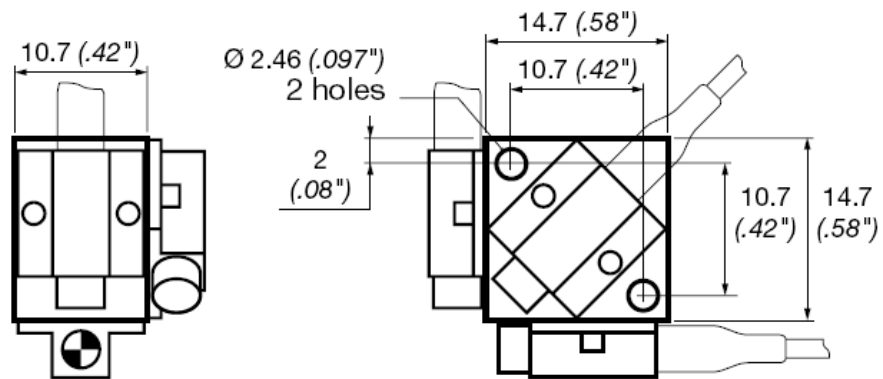


MODEL 40A ACCELEROMETER

Dimensions



Triaxial Mounting Block



MODEL 40A ACCELEROMETER

Ordering Information

40A	GGGG	ZZZ	T	XXX
Range 0025 = 25g 0100 = 100g 0250 = 250g 0500 = 500g 1000 = 1000g 2000 = 2000g				
Cable length 240 = 240 inches, 20 feet 360 = 360 inches, 30 feet 276 = 276 inches, 7 meters (*Minimum order quantity 25 pieces)				
Transverse Sensitivity Option Blank = <3% T = <1%				
Excitation Voltage Option Blank = 10Vdc 001 = 5Vdc 005 = 2Vdc				

Example; 40A-2000-360
Model 40A, 2000g range, 360inch (30ft) cable length

Example; 40A-0500-276T
Model 40A, 500g range, 276inch (7m) cable length, <1% transverse sensitivity option

CLICK HERE ›
CONNECT WITH A SPECIALIST

NORTH AMERICA

Measurement Specialties, Inc.,
a TE Connectivity Company
Tel: 800-522-6752
customercare.hmpt@te.com

EUROPE

MEAS France SAS
a TE Connectivity Company
Tel: +31 73 624 6999
customercare.lcsb@te.com

ASIA

Measurement Specialties (China), Ltd.,
a TE Connectivity Company
Tel: 0400-820-6015
customercare.shzn@te.com

te.com

TE Connectivity, TE, TE Connectivity (logo) and Every Connection Counts are trademarks. All other logos, products and/or company names referred to herein might be trademarks of their respective owners

The information given herein, including drawings, illustrations and schematics which are intended for illustration purposes only, is believed to be reliable. However, TE Connectivity makes no warranties as to its accuracy or completeness and disclaims any liability in connection with its use. TE Connectivity's obligations shall only be as set forth in TE Connectivity's Standard Terms and Conditions of Sale for this product and in no case will TE Connectivity be liable for any incidental, indirect or consequential damages arising out of the sale, resale, use or misuse of the product. Users of TE Connectivity products should make their own evaluation to determine the suitability of each such product for the specific application.

© 2019 TE Connectivity Corporation. All Rights Reserved.

Version # 10/2020

