

DYNAMIC MINI SERIES

Dynamic Mini Series connectors for signal transmission on PCB have a lower profile than existing Dynamic D1000, which providing extra valuable space on the board. Dynamic Series connectors perform to LV 214 test requirements. A positive audible locking feature makes life easier for service engineers carrying out installation and maintenance in the field. Housings in high-temperature nylon permit reflow soldering, speeding up system assembly therefore saving on total cost. High reliability comes from the high retention force that the new connectors exhibit between the contact and the housing, thanks to their “second lock” design.

Applications are getting smaller and smaller. However, the requirements of the application will remain the same or increase. The Mini Dynamic Series will be smaller in size but offers the same performance as existing bigger alternatives.

The protective latching concept helps to avoid accidental unlatching with a transitional sinking surface. This is one of the features that supports the low profile of this product.

BENEFITS

- Higher reliability due to second lock design and protective latch concept
- Space saving on board due to low profile
- Faster system assembly due to SMT reflow capability

Dynamic Mini Series

APPLICATIONS

- New energy
- Automation
- Machinery
- Robotics
- HMI
- Servo drives
- Process controllers

MECHANICAL

- **Pitch:** 1.80mm
- **Durability:** 30 cycles
- **Position:** 12, 16 & 20
- **Operating temperature:** -40-125°C

SPECIFICATIONS

- [108-137443](#)
- [114-137526](#)
- [114-137527](#)

ELECTRICAL

- **Rated current:** 3A
- **Rated voltage:** 250V AC / 125V DC
- **Withstand voltage:** 650V AC / 1000V DC
- **AWG:** 22-26

MATERIALS

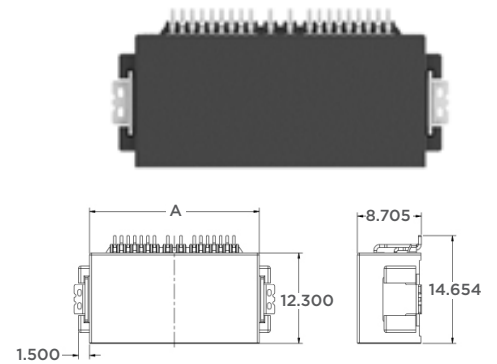
- **Contact:** Copper alloy
- **Plating:** Tin over nickel
- **HDR housing:** Nylon
- **Rec housing:** PBT
- **Spacer:** PBT
- **Solder peg:** Copper alloy

STANDARD

- UL 1977
- LV 214

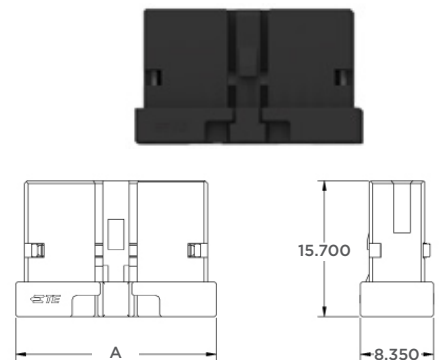
PRODUCT SELECTION INFORMATION - HEADER SIDE

Pitch	Position	Header - Horizontal Type	
		Part Number	DIM A
1.80	12	1-2834465-2	19.50
	16	1-2834465-6	23.10
	20	2-2834465-0	26.70



PRODUCT SELECTION INFORMATION - RECEPTACLE SIDE

Pitch	Position	Receptacle Housing	
		180°	DIM A
1.80	12	1-2834461-2	19.30
	16	1-2834461-6	22.90
	20	2-2834461-0	26.50



Dynamic Mini Series

PRODUCT SELECTION INFORMATION - RECEPTACLE SIDE TERMINAL

Pitch	Part Number	Receptacle Side Contact	
		Nominal Cross-Section	Insulation DIA
1.80	2834464-5	0.13-0.17 mm ²	0.85-1.10 mm
	2834464-6	0.22-0.35 mm ²	0.95-1.30 mm



- All dimensions are in mm.

Part Number	Part Description	Part Number	Part Description
2-2834461-4	MINI DYNAMIC REC HSG ASSY 24P X-KEY BLK	2-2834465-4	MINI DYNAMIC HDR H 24P TIN X-KEY BLK
2-2834461-8	MINI DYNAMIC REC HSG ASSY 28P X-KEY BLK	2-2834465-8	MINI DYNAMIC HDR H 28P TIN X-KEY BLK
3-2834461-2	MINI DYNAMIC REC HSG ASSY 32P X-KEY BLK	3-2834465-2	MINI DYNAMIC HDR H 32P TIN X-KEY BLK
3-2834461-6	MINI DYNAMIC REC HSG ASSY 36P X-KEY BLK	3-2834465-6	MINI DYNAMIC HDR H 36P TIN X-KEY BLK
4-2834461-0	MINI DYNAMIC REC HSG ASSY 40P X-KEY BLK	4-2834465-0	MINI DYNAMIC HDR H 40P TIN X-KEY BLK
4-2834461-4	MINI DYNAMIC REC HSG ASSY 44P X-KEY BLK	4-2834465-4	MINI DYNAMIC HDR H 44P TIN X-KEY BLK
2-2834497-4	MINI DYNAMIC REC HSG ASSY 24P Y-KEY BLK	2-2834499-4	MINI DYNAMIC HDR H 24P TIN Y-KEY BLK
2-2834497-8	MINI DYNAMIC REC HSG ASSY 28P Y-KEY BLK	2-2834499-8	MINI DYNAMIC HDR H 28P TIN Y-KEY BLK
3-2834497-2	MINI DYNAMIC REC HSG ASSY 32P Y-KEY BLK	3-2834499-2	MINI DYNAMIC HDR H 32P TIN Y-KEY BLK
3-2834497-6	MINI DYNAMIC REC HSG ASSY 36P Y-KEY BLK	3-2834499-6	MINI DYNAMIC HDR H 36P TIN Y-KEY BLK
4-2834497-0	MINI DYNAMIC REC HSG ASSY 40P Y-KEY BLK	4-2834499-0	MINI DYNAMIC HDR H 40P TIN Y-KEY BLK
4-2834497-4	MINI DYNAMIC REC HSG ASSY 44P Y-KEY BLK	4-2834499-4	MINI DYNAMIC HDR H 44P TIN Y-KEY BLK

te.com

© 2022 TE Connectivity. All Rights Reserved.

TE Connectivity, TE connectivity (logo) and Every Connection Counts are trademarks owned or licensed by TE Connectivity. All other logos, products and/or company names referred to herein might be trademarks of their respective owners.

While TE has made every reasonable effort to ensure the accuracy of the information in this brochure, TE does not guarantee that it is error-free, nor does TE make any other representation, warranty or guarantee that the information is accurate, correct, reliable or current. TE reserves the right to make any adjustments to the information contained herein at any time without notice. TE expressly disclaims all implied warranties regarding the information contained herein, including, but not limited to, any implied warranties of merchantability or fitness for a particular purpose. The dimensions in this catalog are for reference purposes only and are subject to change without notice. Specifications are subject to change without notice. Consult TE for the latest dimensions and design specifications.

4-1773984-8 4/22 AK