

348462-1 ✓ ACTIVE

AMP | Econoseal

TE Internal #: 348462-1

Silicone, Gray, -40 – 180 °C [-40 – 356 °F] Operating Temperature,  
Econoseal

[View on TE.com >](#)



Connectors > Connector Accessories > Connector Seals & Cavity Plugs



Primary Product Material: **Silicone**

Primary Product Color: **Gray**

Operating Temperature (Max): 65 °C, 70 °C, 75 °C, 80 °C, 85 °C, 90 °C, 100 °C, 105 °C, 110 °C, 120 °C, 125 °C, 130 °C, 140 °C, 150 °C, 155 °C, 170 °C, 180 °C [ 149 °F, 158 °F, 167 °F, 176 °F, 185 °F, 194 °F, 212 °F, 221 °F, 230 °F, 248 °F, 257 °F, 266 °F, 284 °F, 302 °F, 311 °F, 338 °F, 356 °F ]

Operating Temperature Range: -40 – 180 °C [-40 – 356 °F]

## Features

### Body Features

Primary Product Material	Silicone
Primary Product Color	Gray

### Usage Conditions

Operating Temperature (Max)	65 °C, 70 °C, 75 °C, 80 °C, 85 °C, 90 °C, 100 °C, 105 °C, 110 °C, 120 °C, 125 °C, 130 °C, 140 °C, 150 °C, 155 °C, 170 °C, 180 °C [149 °F][158 °F][167 °F][176 °F][185 °F][194 °F][212 °F][221 °F][230 °F][248 °F][257 °F][266 °F][284 °F][302 °F][311 °F][338 °F][356 °F]
Operating Temperature Range	-40 – 180 °C[-40 – 356 °F]

### Packaging Features

Packaging Quantity	1000
Packaging Method	Bag

## Product Compliance

[For compliance documentation, visit the product page on TE.com>](#)

EU RoHS Directive 2011/65/EU	Compliant
EU ELV Directive 2000/53/EC	Compliant
China RoHS 2 Directive MIIT Order No 32, 2016	No Restricted Materials Above Threshold
EU REACH Regulation (EC) No. 1907/2006	

Current ECHA Candidate List: JUNE 2023 (235)

Candidate List Declared Against: JUNE 2023 (235)

Does not contain REACH SVHC

Halogen Content

Low Halogen - Br, Cl, F, I < 900 ppm per homogenous material. Also BFR/CFR/PVC Free

Solder Process Capability

Not applicable for solder process capability

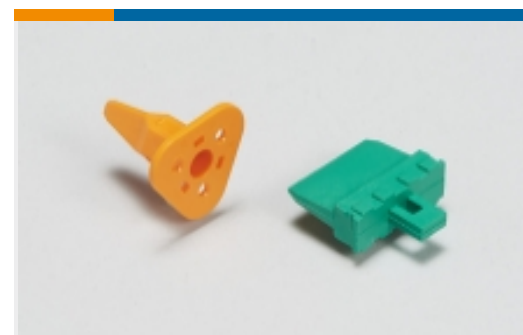
Product Compliance Disclaimer

This information is provided based on reasonable inquiry of our suppliers and represents our current actual knowledge based on the information they provided. This information is subject to change. The part numbers that TE has identified as EU RoHS compliant have a maximum concentration of 0.1% by weight in homogenous materials for lead, hexavalent chromium, mercury, PBB, PBDE, DBP, BBP, DEHP, DIBP, and 0.01% for cadmium, or qualify for an exemption to these limits as defined in the Annexes of Directive 2011/65/EU (RoHS2). Finished electrical and electronic equipment products will be CE marked as required by Directive 2011/65/EU. Components may not be CE marked. Additionally, the part numbers that TE has identified as EU ELV compliant have a maximum concentration of 0.1% by weight in homogenous materials for lead, hexavalent chromium, and mercury, and 0.01% for cadmium, or qualify for an exemption to these limits as defined in the Annexes of Directive 2000/53/EC (ELV). Regarding the REACH Regulation, the information TE provides on SVHC in articles for this part number is based on the latest European Chemicals Agency (ECHA) 'Guidance on requirements for substances in articles' posted at this URL: <https://echa.europa.eu/guidance-documents/guidance-on-reach>

Also in the Series | Econoseal



Automotive Connector Caps & Covers (1)



Automotive Connector Locks & Position Assurance(25)



Automotive Housings(86)



Automotive Terminals(43)



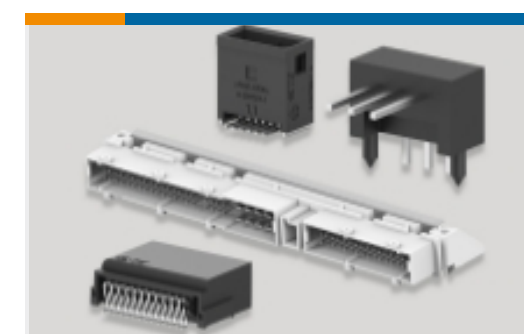
Connector Seals & Cavity Plugs(16)



Insertion & Extraction Tools(7)



Other Automotive Connector Accessories(5)



PCB Headers & Receptacles(3)



Primary Wire(1)

## Customers Also Bought



TE Part #1-967624-1  
JUN-POW-TIM HOUSING 18POS



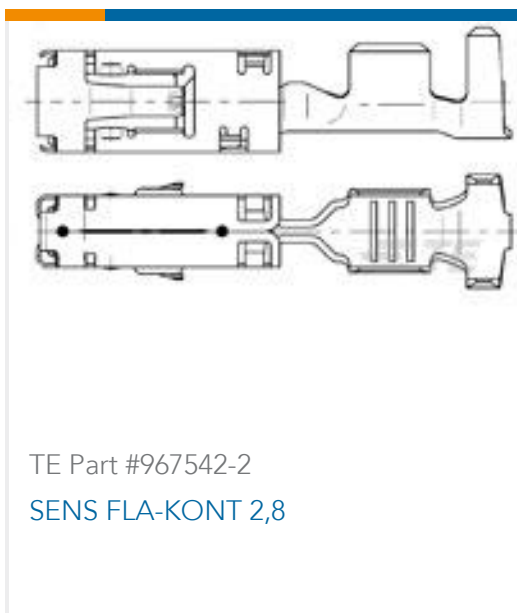
TE Part #1544317-1  
PC 2V 8MM WP NG1 N



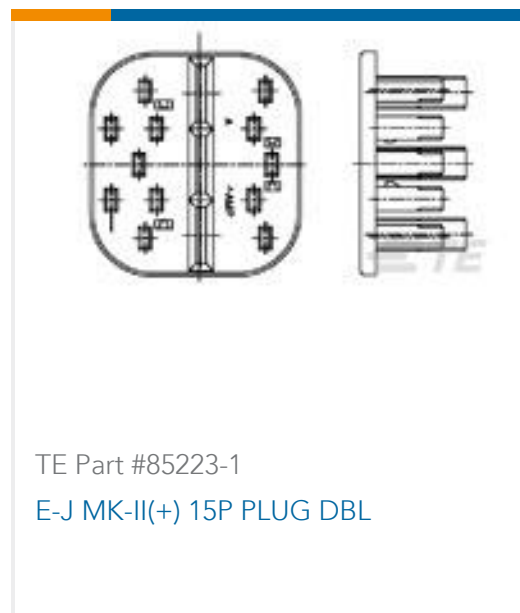
TE Part #7-1452671-1  
MCON 1.2 LL REC SWS SN



TE Part #927770-3  
TIMER, RECEPTACLE AND TAB



TE Part #967542-2  
SENS FLA-KONT 2,8



TE Part #85223-1  
E-J MK-II(+) 15P PLUG DBL



TE Part #1743059-2  
MT-II/JPT SLD 36P PLUG ASSY



TE Part #1897013-2  
MT-2/JPT SLD 26P CAP HSG



TE Part #880397-2  
FUSE CONTACT

## Documents

### Product Drawings

[ECON 3 HC PLUG SILICONE](#)

English

### CAD Files

[Customer View Model](#)

[ENG\\_CVM\\_348462-1\\_A.3d\\_igs.zip](#)

English

[Customer View Model](#)



[ENG\\_CVM\\_348462-1\\_A.3d\\_stp.zip](#)

English

**Customer View Model**

[ENG\\_CVM\\_348462-1\\_A.2d\\_dxf.zip](#)

English

**3D PDF**

English

By downloading the CAD file I accept and agree to the [Terms and Conditions](#) of use.