

347681-1 ✓ ACTIVE

AMP | Econoseal

TE Internal #: 347681-1

Single Wire Seal (SWS), Silicone, Orange, 4.4 mm [.173 in] Cavity

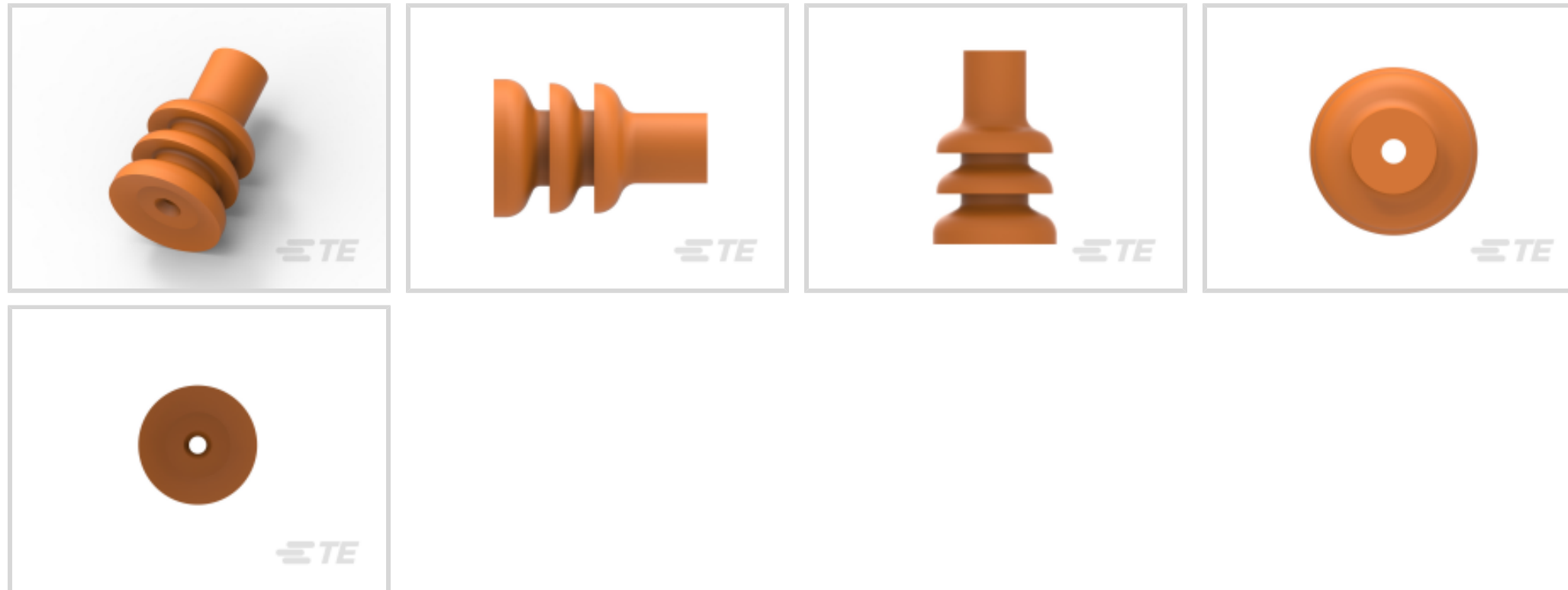
Diameter, .126 – .161 in [1.1 – 1.3 mm] Insulation Diameter,

Econoseal

[View on TE.com >](#)



Connectors > Connector Accessories > Connector Seals & Cavity Plugs



Connector Seal & Plug Type: **Single Wire Seal (SWS)**

Primary Product Material: **Silicone**

Primary Product Color: **Orange**

Cavity Diameter: **4.4 mm [.173 in]**

Compatible Insulation Diameter Range: **1.1 – 1.3 mm [.126 – .161 in]**

Features

Product Type Features

Connector Seal & Plug Type	Single Wire Seal (SWS)
----------------------------	------------------------

Body Features

Primary Product Material	Silicone
--------------------------	----------

Primary Product Color	Orange
-----------------------	--------

Dimensions

Cavity Diameter	4.4 mm [.173 in]
-----------------	------------------

Compatible Insulation Diameter Range	1.1 – 1.3 mm [.126 – .161 in]
--------------------------------------	-------------------------------

Usage Conditions

Operating Temperature (Max)	65 °C, 70 °C, 75 °C, 80 °C, 85 °C, 90 °C, 100 °C, 105 °C, 110 °C, 120 °C, 125 °C, 130 °C [149 °F][158 °F][167 °F][176 °F][185 °F][194 °F][212 °F][221 °F][230 °F][248 °F][257 °F][266 °F]
-----------------------------	--

Operating Temperature Range	-40 – 130 °C [-40 – 266 °F]
-----------------------------	-----------------------------

Industry Standards



UL Flammability Rating	None
------------------------	------

Other

Resistance to Hydrocarbons	Poor
----------------------------	------

Shore A Hardness	40
------------------	----

Contains Lubricant	Yes
--------------------	-----

Product Compliance

[For compliance documentation, visit the product page on TE.com>](#)

EU RoHS Directive 2011/65/EU	Compliant
------------------------------	-----------

EU ELV Directive 2000/53/EC	Compliant
-----------------------------	-----------

China RoHS 2 Directive MIIT Order No 32, 2016	No Restricted Materials Above Threshold
---	---

EU REACH Regulation (EC) No. 1907/2006	Current ECHA Candidate List: JUNE 2023 (235) Candidate List Declared Against: JAN 2018 (181) Does not contain REACH SVHC
--	--

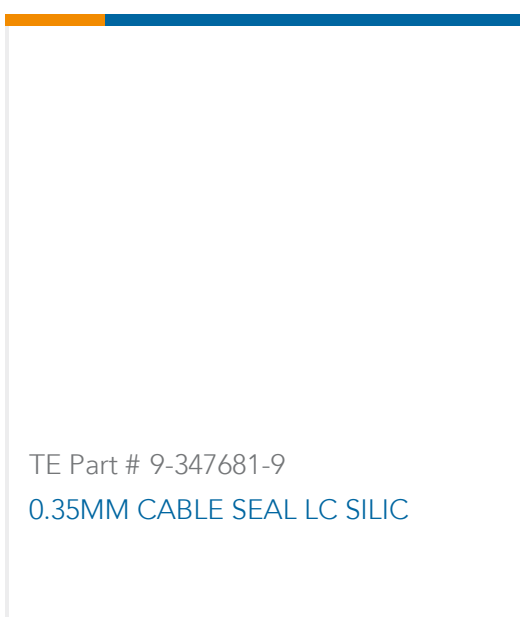
Halogen Content	Low Halogen - Br, Cl, F, I < 900 ppm per homogenous material. Also BFR/CFR/PVC Free
-----------------	---

Solder Process Capability	Not applicable for solder process capability
---------------------------	--

Product Compliance Disclaimer

This information is provided based on reasonable inquiry of our suppliers and represents our current actual knowledge based on the information they provided. This information is subject to change. The part numbers that TE has identified as EU RoHS compliant have a maximum concentration of 0.1% by weight in homogenous materials for lead, hexavalent chromium, mercury, PBB, PBDE, DBP, BBP, DEHP, DIBP, and 0.01% for cadmium, or qualify for an exemption to these limits as defined in the Annexes of Directive 2011/65/EU (RoHS2). Finished electrical and electronic equipment products will be CE marked as required by Directive 2011/65/EU. Components may not be CE marked. Additionally, the part numbers that TE has identified as EU ELV compliant have a maximum concentration of 0.1% by weight in homogenous materials for lead, hexavalent chromium, and mercury, and 0.01% for cadmium, or qualify for an exemption to these limits as defined in the Annexes of Directive 2000/53/EC (ELV). Regarding the REACH Regulation, the information TE provides on SVHC in articles for this part number is based on the latest European Chemicals Agency (ECHA) 'Guidance on requirements for substances in articles' posted at this URL: <https://echa.europa.eu/guidance-documents/guidance-on-reach>

Compatible Parts

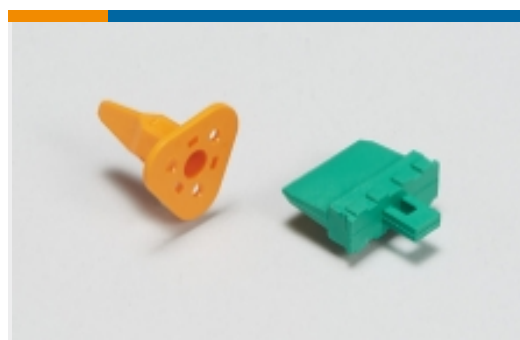


TE Part # 9-347681-9
0.35MM CABLE SEAL LC SILIC

Also in the Series | Econoseal



Automotive Connector Caps & Covers (1)



Automotive Connector Locks & Position Assurance(25)



Automotive Housings(86)



Automotive Terminals(43)



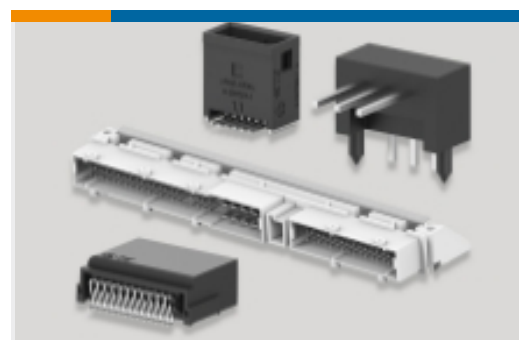
Connector Seals & Cavity Plugs(16)



Insertion & Extraction Tools(7)



Other Automotive Connector Accessories(5)



PCB Headers & Receptacles(3)



Primary Wire(1)

Customers Also Bought



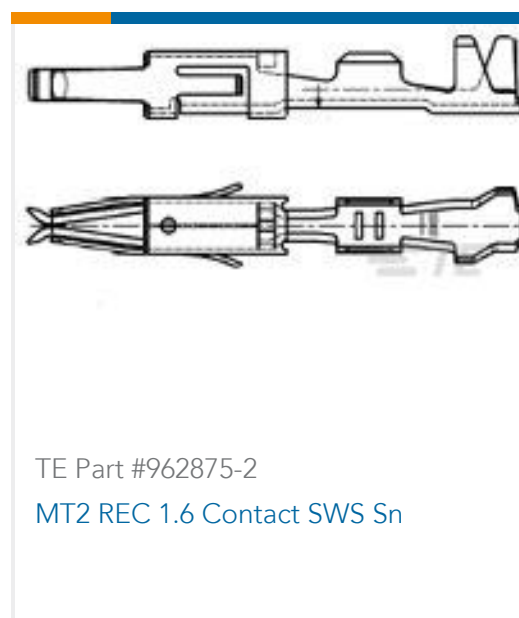
TE Part #1241634-1
4POS MQS REC COD Z



TE Part #1719840-1
MCON 2.8 TERMINAL - LL



TE Part #284087-1
.070 NEW GEN RCPT CONT 0.30 T



TE Part #962875-2
MT2 REC 1.6 Contact SWS Sn



TE Part #4-1488991-1
3POS, MCON 1.2 CB REC 2p TL
SEALED



TE Part #284863-1
SINGLE WIRE SEAL F.EXT.INS.DIA



TE Part #2236047-2
32POS,MIXED,RECEPTACLE
CONNECTOR,COD B



TE Part #284443-7
COVER + LEVER FOR 12 POS M.Q.S



TE Part #638394-5
ASSY, 12P PLUG "A" KEY, W/CPA



TE Part #281991-2
HSG FOR P-LOCK MK I TERM

Documents

Product Drawings

[0.35MM CABLE SEAL LC SILIC](#)

English

[0.35MM CABLE SEAL LC SILIC](#)

English

CAD Files

[3D PDF](#)

3D

Customer View Model

[ENG_CVM_CVM_347681-1_A.2d_dxf.zip](#)

English

Customer View Model

[ENG_CVM_CVM_347681-1_A.3d_igs.zip](#)

English

Customer View Model

[ENG_CVM_CVM_347681-1_A.3d_stp.zip](#)

English

By downloading the CAD file I accept and agree to the [Terms and Conditions](#) of use.