

345260-1 ✓ ACTIVE

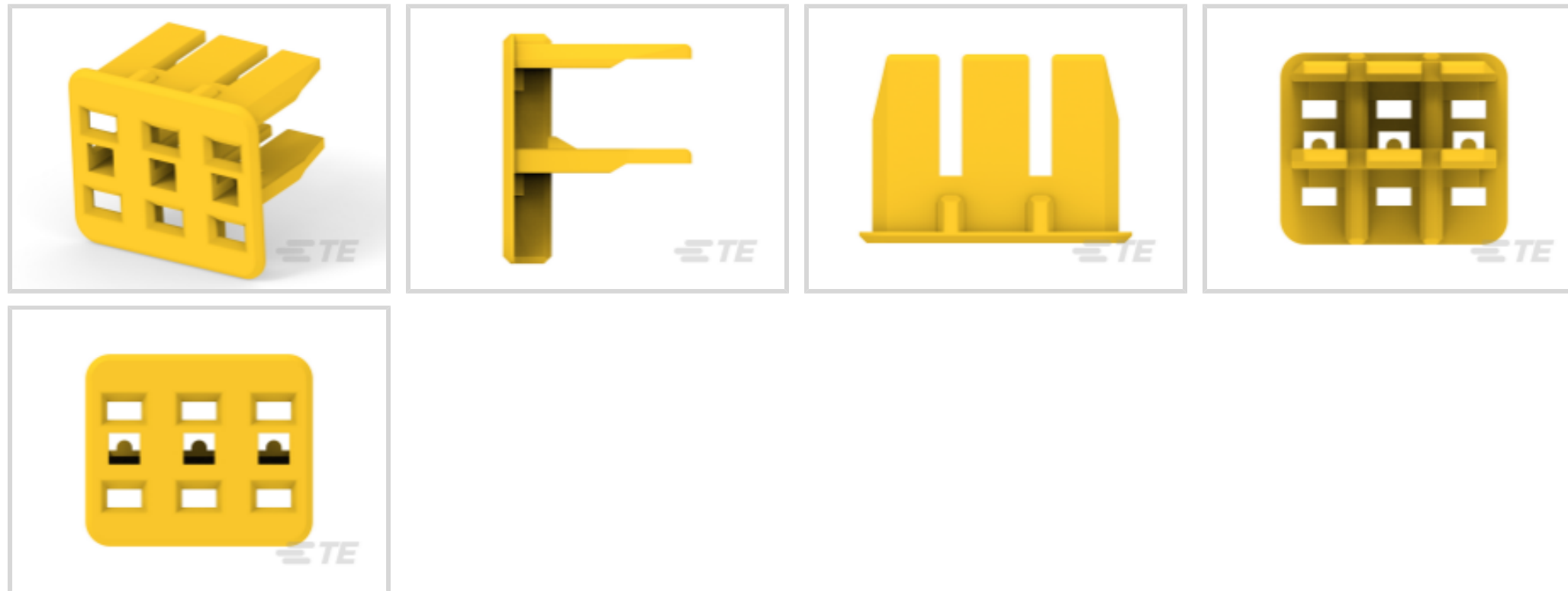
TE Internal #: 345260-1

Housing for Female Terminals, Wire-to-Wire, 6 Position, .189 in [4.8 mm] Centerline, Sealable, Yellow, Wire & Cable, Cable Mount (Free-Hanging)

[View on TE.com >](#)



Connectors > Automotive Connectors > Automotive Housings



Connector System: **Wire-to-Wire**

Number of Positions: **6**

Connector & Housing Type: **Housing for Female Terminals**

Centerline (Pitch): **4.8 mm [.189 in]**

Sealable: **Yes**

Features

Product Type Features

Mixed & Hybrid Connector	No
Connector System	Wire-to-Wire
Connector & Housing Type	Housing for Female Terminals
Sealable	Yes
Connector & Contact Terminates To	Wire & Cable
Primary Locking Feature	Integrated in Housing

Configuration Features

Number of Positions	6
Number of Rows	2

Body Features

Primary Product Color	Yellow
-----------------------	--------

Contact Features

Mating Tab Width	1.8 mm[.071 in]
------------------	-----------------

Mechanical Attachment



Connector Mounting Type	Cable Mount (Free-Hanging)
-------------------------	----------------------------

Housing Features

Centerline (Pitch)	4.8 mm [.189 in]
--------------------	------------------

Other

Connector Position Assurance Capable	No
--------------------------------------	----

Product Compliance

[For compliance documentation, visit the product page on TE.com>](#)

EU RoHS Directive 2011/65/EU	Compliant
------------------------------	-----------

EU ELV Directive 2000/53/EC	Compliant
-----------------------------	-----------

China RoHS 2 Directive MIIT Order No 32, 2016	No Restricted Materials Above Threshold
---	---

EU REACH Regulation (EC) No. 1907/2006	Current ECHA Candidate List: JUNE 2023 (235) Candidate List Declared Against: JUL 2021 (219) Does not contain REACH SVHC
--	--

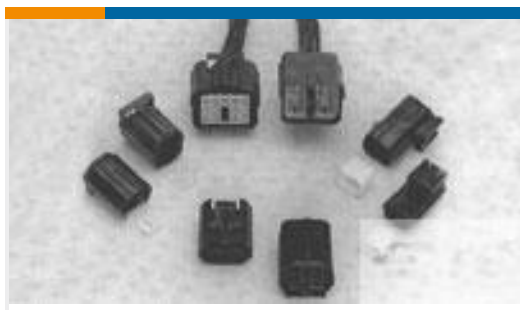
Halogen Content	Not Low Halogen - contains Br or Cl > 900 ppm.
-----------------	--

Solder Process Capability	Not applicable for solder process capability
---------------------------	--

Product Compliance Disclaimer

This information is provided based on reasonable inquiry of our suppliers and represents our current actual knowledge based on the information they provided. This information is subject to change. The part numbers that TE has identified as EU RoHS compliant have a maximum concentration of 0.1% by weight in homogenous materials for lead, hexavalent chromium, mercury, PBB, PBDE, DBP, BBP, DEHP, DIBP, and 0.01% for cadmium, or qualify for an exemption to these limits as defined in the Annexes of Directive 2011/65/EU (RoHS2). Finished electrical and electronic equipment products will be CE marked as required by Directive 2011/65/EU. Components may not be CE marked. Additionally, the part numbers that TE has identified as EU ELV compliant have a maximum concentration of 0.1% by weight in homogenous materials for lead, hexavalent chromium, and mercury, and 0.01% for cadmium, or qualify for an exemption to these limits as defined in the Annexes of Directive 2000/53/EC (ELV). Regarding the REACH Regulation, the information TE provides on SVHC in articles for this part number is based on the latest European Chemicals Agency (ECHA) 'Guidance on requirements for substances in articles' posted at this URL: <https://echa.europa.eu/guidance-documents/guidance-on-reach>

Compatible Parts



TE Part # 344267-1
6 WAY REC. HSG. SIL. SEALECONO

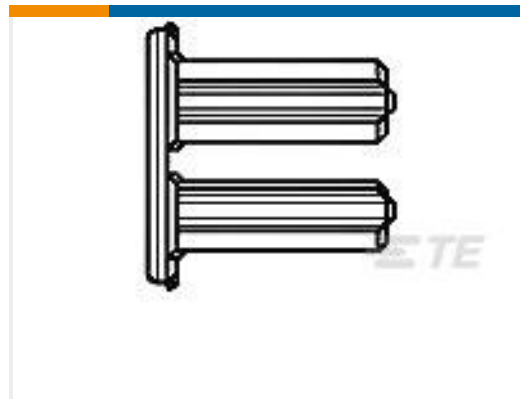
Customers Also Bought



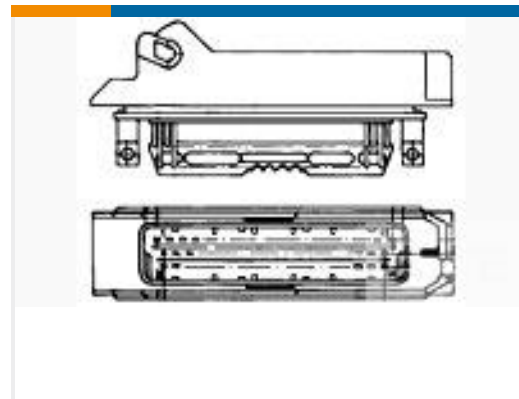
TE Part #1-967624-4
Timer Connector Housing



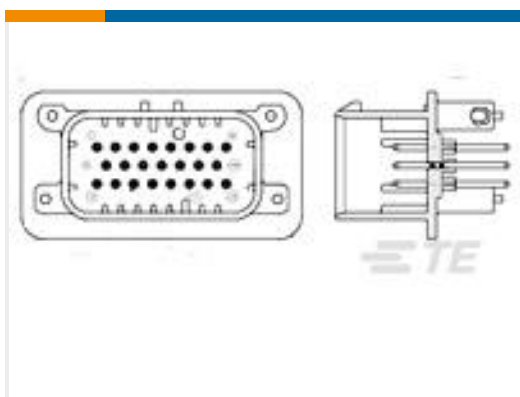
TE Part #344111-1
36W EMS.REC. HSG.ASSY



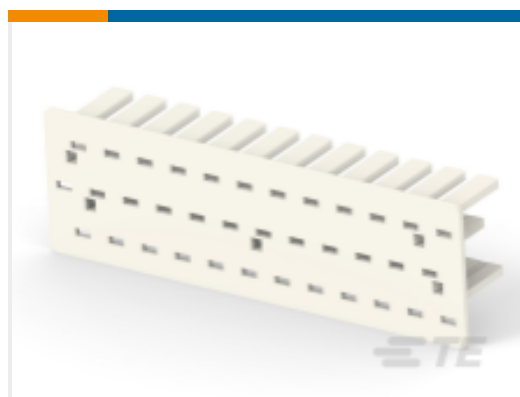
TE Part #967634-1
2. RETAINER FOR 18POS



TE Part #963063-1
55P JUN-TIMER GEH



TE Part #1-776230-4
35POS,AMPSEAL,PIN HSG ASSY,SLD,
COD 4



TE Part #344112-1
36W EMS.REC.ANTI-BACKOUT
COD 4



TE Part #344267-1
6 WAY REC. HSG. SIL. SEALECONO



TE Part #184207-1
2 POS. PLUG ASSY, KEY J



TE Part #347874-1
CABLE SEAL LC SILICON 0.5 T

Documents

Product Drawings

[ANTI-BACKOUT 6WAY REC HSGECONO](#)

English

CAD Files

[Customer View Model](#)

[ENG_CVM_345260-1_O.3d_igs.zip](#)

English

[Customer View Model](#)



[ENG_CVM_345260-1_O.3d_stp.zip](#)

English

Customer View Model

[ENG_CVM_345260-1_O.2d_dxf.zip](#)

English

3D PDF

English

By downloading the CAD file I accept and agree to the [Terms and Conditions](#) of use.