

344274-1 ACTIVE

AMP | Econoseal

TE Internal #: 344274-1

Housing for Male Terminals, 2 Position, .188 in [4.8 mm] Centerline, Black, Wire & Cable, Cable Mount (Free-Hanging), Econoseal

[View on TE.com >](#)



Connectors > Automotive Connectors > Automotive Housings



Number of Positions: 2

Connector & Housing Type: **Housing for Male Terminals**

Centerline (Pitch): 4.8 mm [.188 in]

Sealable: **No**

Number of Rows: 1

Features

Product Type Features

Mixed & Hybrid Connector	No
Connector & Housing Type	Housing for Male Terminals
Sealable	No
Connector & Contact Terminates To	Wire & Cable

Configuration Features

Number of Positions	2
Number of Rows	1

Body Features

Primary Product Color	Black
-----------------------	-------

Mechanical Attachment

Connector Mounting Type	Cable Mount (Free-Hanging)
-------------------------	----------------------------

Housing Features

Centerline (Pitch)	4.8 mm[.188 in]
--------------------	-----------------

Other

Connector Position Assurance Capable	No
--------------------------------------	----

Product Compliance

[For compliance documentation, visit the product page on TE.com>](#)

EU RoHS Directive 2011/65/EU	Compliant
EU ELV Directive 2000/53/EC	Compliant
China RoHS 2 Directive MIIT Order No 32, 2016	No Restricted Materials Above Threshold
EU REACH Regulation (EC) No. 1907/2006	Current ECHA Candidate List: JUNE 2023 (235) Candidate List Declared Against: JUNE 2023 (235) Does not contain REACH SVHC
Halogen Content	Low Halogen - Br, Cl, F, I < 900 ppm per homogenous material. Also BFR/CFR/PVC Free
Solder Process Capability	Not applicable for solder process capability

Product Compliance Disclaimer

This information is provided based on reasonable inquiry of our suppliers and represents our current actual knowledge based on the information they provided. This information is subject to change. The part numbers that TE has identified as EU RoHS compliant have a maximum concentration of 0.1% by weight in homogenous materials for lead, hexavalent chromium, mercury, PBB, PBDE, DBP, BBP, DEHP, DIBP, and 0.01% for cadmium, or qualify for an exemption to these limits as defined in the Annexes of Directive 2011/65/EU (RoHS2). Finished electrical and electronic equipment products will be CE marked as required by Directive 2011/65/EU. Components may not be CE marked. Additionally, the part numbers that TE has identified as EU ELV compliant have a maximum concentration of 0.1% by weight in homogenous materials for lead, hexavalent chromium, and mercury, and 0.01% for cadmium, or qualify for an exemption to these limits as defined in the Annexes of Directive 2000/53/EC (ELV). Regarding the REACH Regulation, the information TE provides on SVHC in articles for this part number is based on the latest European Chemicals Agency (ECHA) 'Guidance on requirements for substances in articles' posted at this URL: <https://echa.europa.eu/guidance-documents/guidance-on-reach>

Compatible Parts



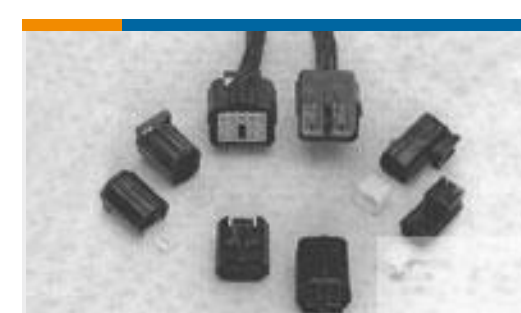
TE Part # 344275-1
2WAY RECEPTACLE HSG.
BLACKECONO



TE Part # 344275-2
2W RECP. HSG. "RED" ECON



TE Part # 344275-4
2 WAY RECP. HSG. - WHITECONO

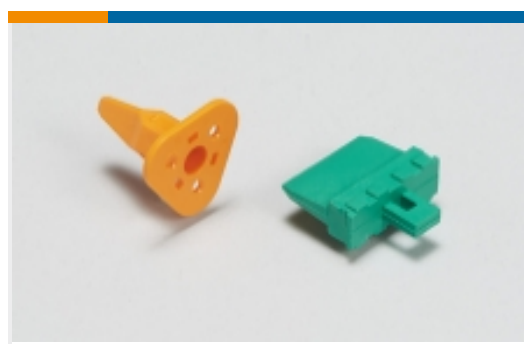


TE Part # 345253-1
ANTI-BACKOUT 2WAY TAB
HSGECONO

Also in the Series | Econoseal



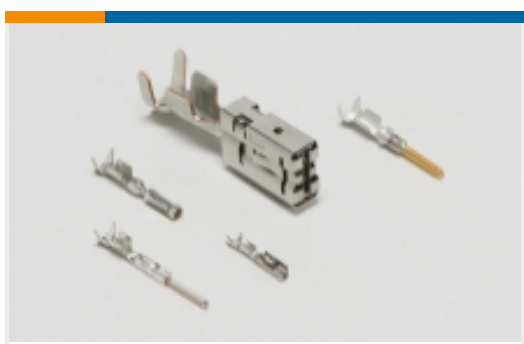
Automotive Connector Caps & Covers (1)



Automotive Connector Locks & Position Assurance(25)



Automotive Housings(86)



Automotive Terminals(43)



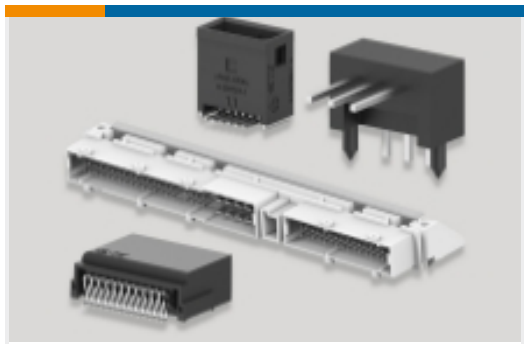
Connector Seals & Cavity Plugs(16)



Insertion & Extraction Tools(7)



Other Automotive Connector Accessories(5)



PCB Headers & Receptacles(3)

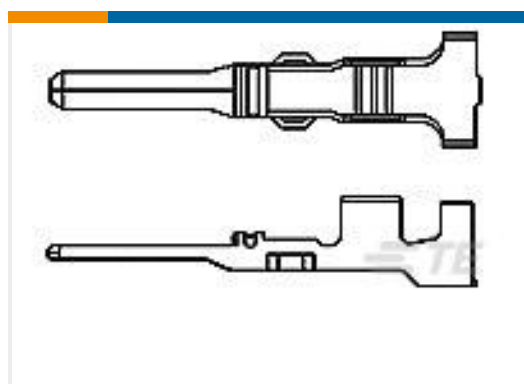


Primary Wire(1)

Customers Also Bought



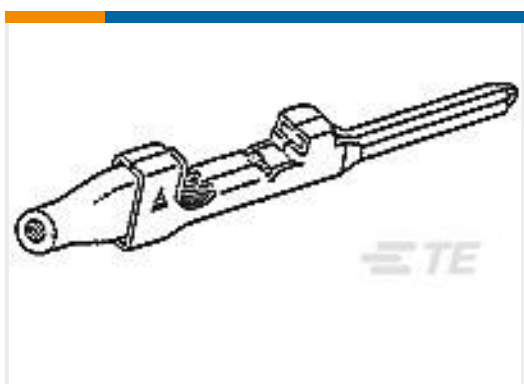
TE Part #4-2176325-4
CRGP 0402 39K 1%



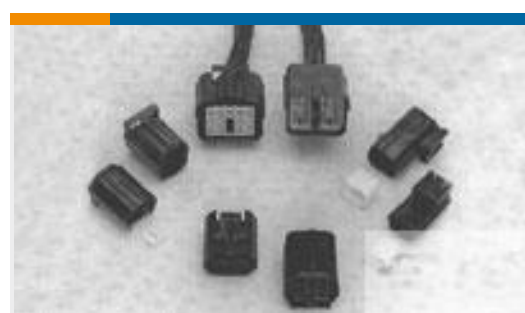
TE Part #345807-1
ECONO CONT. TAB



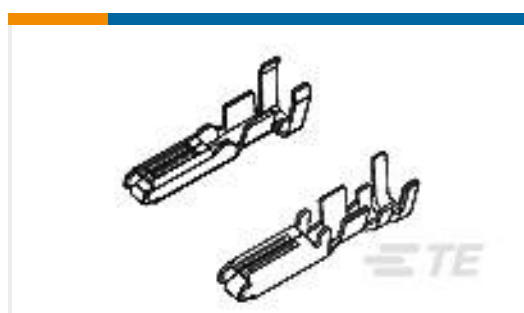
TE Part #1411169-1
MARKET2X4MAL UNSEAL



TE Part #345164-1
040 SERIES TAB



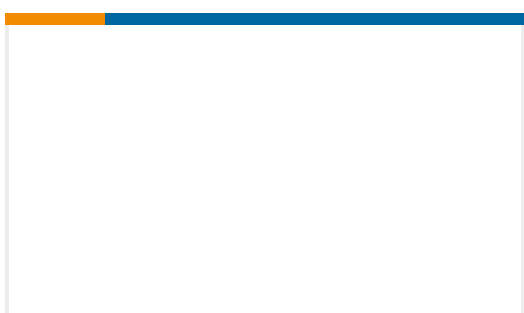
TE Part #344267-1
6 WAY REC. HSG. SIL. SEALECONO



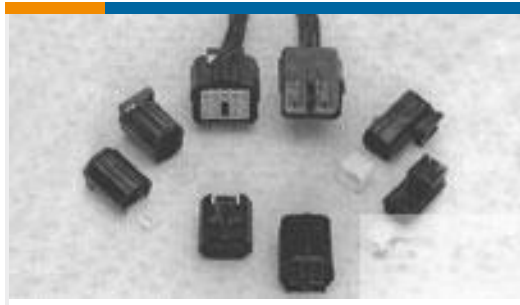
TE Part #345208-1
070 SERIES RECEPT.



TE Part #347874-1
CABLE SEAL LC SILICON 0.5 T



TE Part #361510-4
ATUM-19/6-0-STK



TE Part #345253-1
ANTI-BACKOUT 2WAY TAB
HSGECONO

Documents

Product Drawings

[2 WAY TAB HOUSING BLACK ECONO](#)

English

CAD Files

[3D PDF](#)

English

Customer View Model

[ENG_CVM_344274-1_C.3d_igs.zip](#)

English

Customer View Model

[ENG_CVM_344274-1_C.3d_stp.zip](#)

English

Customer View Model

[ENG_CVM_344274-1_C.2d_dxf.zip](#)

English

By downloading the CAD file I accept and agree to the [Terms and Conditions](#) of use.