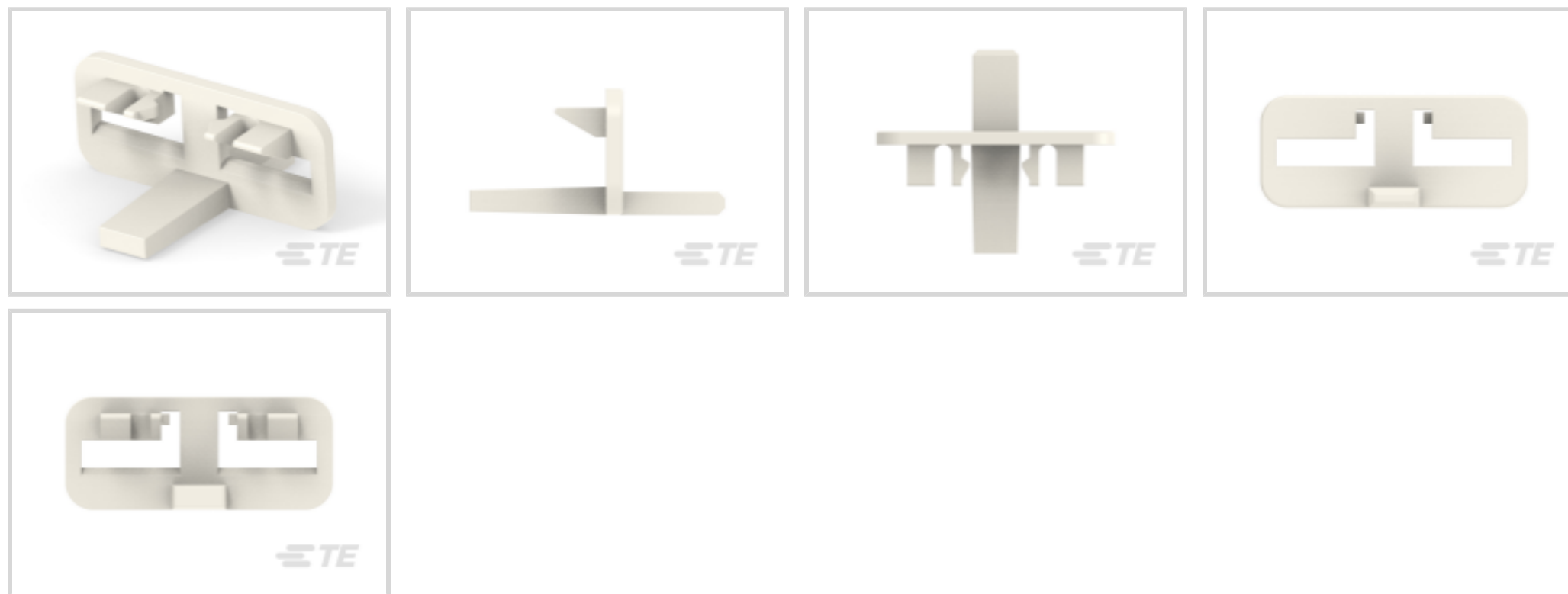




Connectors > Automotive Connectors > Automotive Connector Accessories > Other Automotive Connector Accessories



Automotive Connector Accessory Type: **Cavity Block**

Primary Product Material: **PBT**

Primary Product Color: **White**

Features

Product Type Features

Automotive Connector Accessory Type	Cavity Block
-------------------------------------	--------------

Body Features

Primary Product Material	PBT
Primary Product Color	White

Product Compliance

[For compliance documentation, visit the product page on TE.com>](#)

EU RoHS Directive 2011/65/EU	Compliant
EU ELV Directive 2000/53/EC	Compliant
China RoHS 2 Directive MIIT Order No 32, 2016	No Restricted Materials Above Threshold
EU REACH Regulation (EC) No. 1907/2006	Current ECHA Candidate List: JUNE 2023 (235) Candidate List Declared Against: JAN 2021 (211) Does not contain REACH SVHC
Halogen Content	Not Low Halogen - contains Br or Cl > 900 ppm.
Solder Process Capability	Not applicable for solder process capability

Product Compliance Disclaimer

This information is provided based on reasonable inquiry of our suppliers and represents our current actual knowledge based on the information they provided. This information is subject to change. The part numbers that TE has identified as EU RoHS compliant have a maximum concentration of 0.1% by weight in homogenous materials for lead, hexavalent chromium, mercury, PBB, PBDE, DBP, BBP, DEHP, DIBP, and 0.01% for cadmium, or qualify for an exemption to these limits as defined in the Annexes of Directive 2011/65/EU (RoHS2). Finished electrical and electronic equipment products will be CE marked as required by Directive 2011/65/EU. Components may not be CE marked. Additionally, the part numbers that TE has identified as EU ELV compliant have a maximum concentration of 0.1% by weight in homogenous materials for lead, hexavalent chromium, and mercury, and 0.01% for cadmium, or qualify for an exemption to these limits as defined in the Annexes of Directive 2000/53/EC (ELV). Regarding the REACH Regulation, the information TE provides on SVHC in articles for this part number is based on the latest European Chemicals Agency (ECHA) 'Guidance on requirements for substances in articles' posted at this URL: <https://echa.europa.eu/guidance-documents/guidance-on-reach>

Customers Also Bought



TE Part #499252-9
014 STRAIN RELIEF A-L RCPT



TE Part #2236721-1
ADAPTER, FOR TAB HOUSING, ASSY



TE Part #8-1393239-0
RT314A12



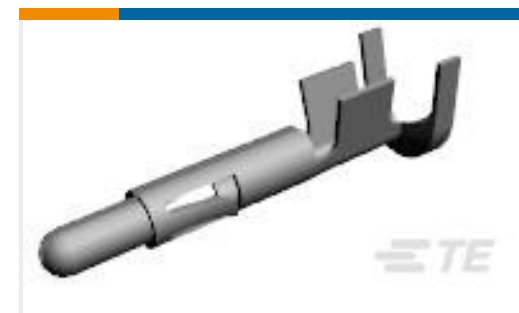
TE Part #1-480764-0
05P UMNL CAP HSG NATL



TE Part #794275-1
06P UMNL INTERFACE SEAL



TE Part #794276-1
06P UMNL WIRE SEAL



TE Part #350873-1
UMNL PIN 18-14 .0126 PTPBR



TE Part #2-35109-1
PIDG 12-10 R 10; TAPE



TE Part #344075-1
2 WAY TAB HSG.

Documents

Product Drawings

[2W TAB ANTI-BACKOUT](#)

English

CAD Files

[Customer View Model](#)

[ENG_CVM_344090-1_C.3d_igs.zip](#)



English

Customer View Model

[ENG_CVM_344090-1_C.3d_stp.zip](#)

English

Customer View Model

[ENG_CVM_344090-1_C.2d_dxf.zip](#)

English

3D PDF

English

By downloading the CAD file I accept and agree to the [Terms and Conditions](#) of use.