



AMP

TE Internal #: 344073-1

Housing for Male Terminals, Wire-to-Wire, 8 Position, .354 in [9 mm] Centerline, Sealable, Black, Wire & Cable, Power, Cable Mount (Free-Hanging)

[View on TE.com >](#)

Connectors > Automotive Connectors > Automotive Housings



Connector System: **Wire-to-Wire**

Number of Positions: **8**

Connector & Housing Type: **Housing for Male Terminals**

Centerline (Pitch): **9 mm [.354 in]**

Sealable: **Yes**

Features

Product Type Features

Mixed & Hybrid Connector	No
Connector Shape	Rectangular
Connector System	Wire-to-Wire
Connector & Housing Type	Housing for Male Terminals
Sealable	Yes
Connector & Contact Terminates To	Wire & Cable
Primary Locking Feature	Integrated in Housing

Configuration Features

Number of Positions	8
Number of Rows	3

Electrical Characteristics

Nominal Voltage Architecture	12 V
------------------------------	------

Body Features

Cable Exit Angle	180°
Primary Product Color	Black
Connector & Keying Code	Neutral

Contact Features

Contact Size	6.3mm
--------------	-------



Contact Type	Tab
--------------	-----

Contact Current Rating (Max)	19 A
------------------------------	------

Mechanical Attachment

Strain Relief	Without
---------------	---------

Mating Alignment Type	Polarization
-----------------------	--------------

Mating Alignment	With
------------------	------

Connector Mounting Type	Cable Mount (Free-Hanging)
-------------------------	----------------------------

Housing Features

Housing Material	PA
------------------	----

Centerline (Pitch)	9 mm [.354 in]
--------------------	----------------

Dimensions

Connector Height	42.73 mm [1.682 in]
------------------	---------------------

Product Width	37.4 mm [1.472 in]
---------------	--------------------

Product Length	41.53 mm [1.635 in]
----------------	---------------------

Row-to-Row Spacing	9 mm [.354 in]
--------------------	----------------

Usage Conditions

Operating Temperature (Max)	105 °C [221 °F]
-----------------------------	-----------------

Operating Temperature Range	-30 – 105 °C [-22 – 221 °F]
-----------------------------	-----------------------------

Operation/Application

Circuit Application	Power
---------------------	-------

Packaging Features

Packaging Quantity	300
--------------------	-----

Packaging Method	Box
------------------	-----

Other

Connector Position Assurance Capable	No
--------------------------------------	----

Product Compliance

[For compliance documentation, visit the product page on TE.com>](#)

EU RoHS Directive 2011/65/EU	Compliant
------------------------------	-----------

EU ELV Directive 2000/53/EC	Compliant
-----------------------------	-----------

China RoHS 2 Directive MIIT Order No 32, 2016	No Restricted Materials Above Threshold
---	---

EU REACH Regulation (EC) No. 1907/2006	
--	--

Current ECHA Candidate List: JUNE 2023 (235)

Candidate List Declared Against: JUNE 2023 (235)

Does not contain REACH SVHC

Halogen Content

Low Halogen - Br, Cl, F, I < 900 ppm per homogenous material. Also BFR/CFR/PVC Free

Solder Process Capability

Not applicable for solder process capability

Product Compliance Disclaimer

This information is provided based on reasonable inquiry of our suppliers and represents our current actual knowledge based on the information they provided. This information is subject to change. The part numbers that TE has identified as EU RoHS compliant have a maximum concentration of 0.1% by weight in homogenous materials for lead, hexavalent chromium, mercury, PBB, PBDE, DBP, BBP, DEHP, DIBP, and 0.01% for cadmium, or qualify for an exemption to these limits as defined in the Annexes of Directive 2011/65/EU (RoHS2). Finished electrical and electronic equipment products will be CE marked as required by Directive 2011/65/EU. Components may not be CE marked. Additionally, the part numbers that TE has identified as EU ELV compliant have a maximum concentration of 0.1% by weight in homogenous materials for lead, hexavalent chromium, and mercury, and 0.01% for cadmium, or qualify for an exemption to these limits as defined in the Annexes of Directive 2000/53/EC (ELV). Regarding the REACH Regulation, the information TE provides on SVHC in articles for this part number is based on the latest European Chemicals Agency (ECHA) 'Guidance on requirements for substances in articles' posted at this URL: <https://echa.europa.eu/guidance-documents/guidance-on-reach>

Compatible Parts



TE Part # CAT-EC7491-T273
Econoseal Receptacles and Tabs



TE Part # 344079-1
RECPT. HSG. ASSY. 8 WAY



TE Part # 344086-1
8 WAY TAB ANTI-BACKOUT

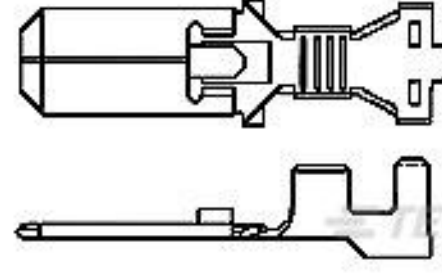
Customers Also Bought



TE Part #2500033-1
SRC Power Blind Cavity Plug



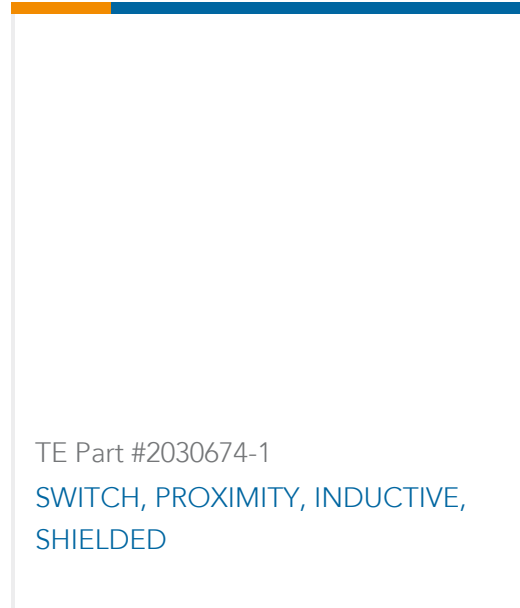
TE Part #1394522-2
Timer Connector Housing



TE Part #344069-1
.250\" SPEC. F.TAB.(PLATED)



TE Part #HDP24-24-29SE-L015
REC, 29P, BLK, E, THD, 12/16/20, S



Documents

Product Drawings

8 WAY TAB HSG.BLACK

English

CAD Files

3D PDF

3D

Customer View Model

[ENG_CVM_CVM_344073-1_D.2d_dxf.zip](#)

English

Customer View Model

[ENG_CVM_CVM_344073-1_D.3d_igs.zip](#)

English

Customer View Model

[ENG_CVM_CVM_344073-1_D.3d_stp.zip](#)

English

By downloading the CAD file I accept and agree to the [Terms and Conditions](#) of use.