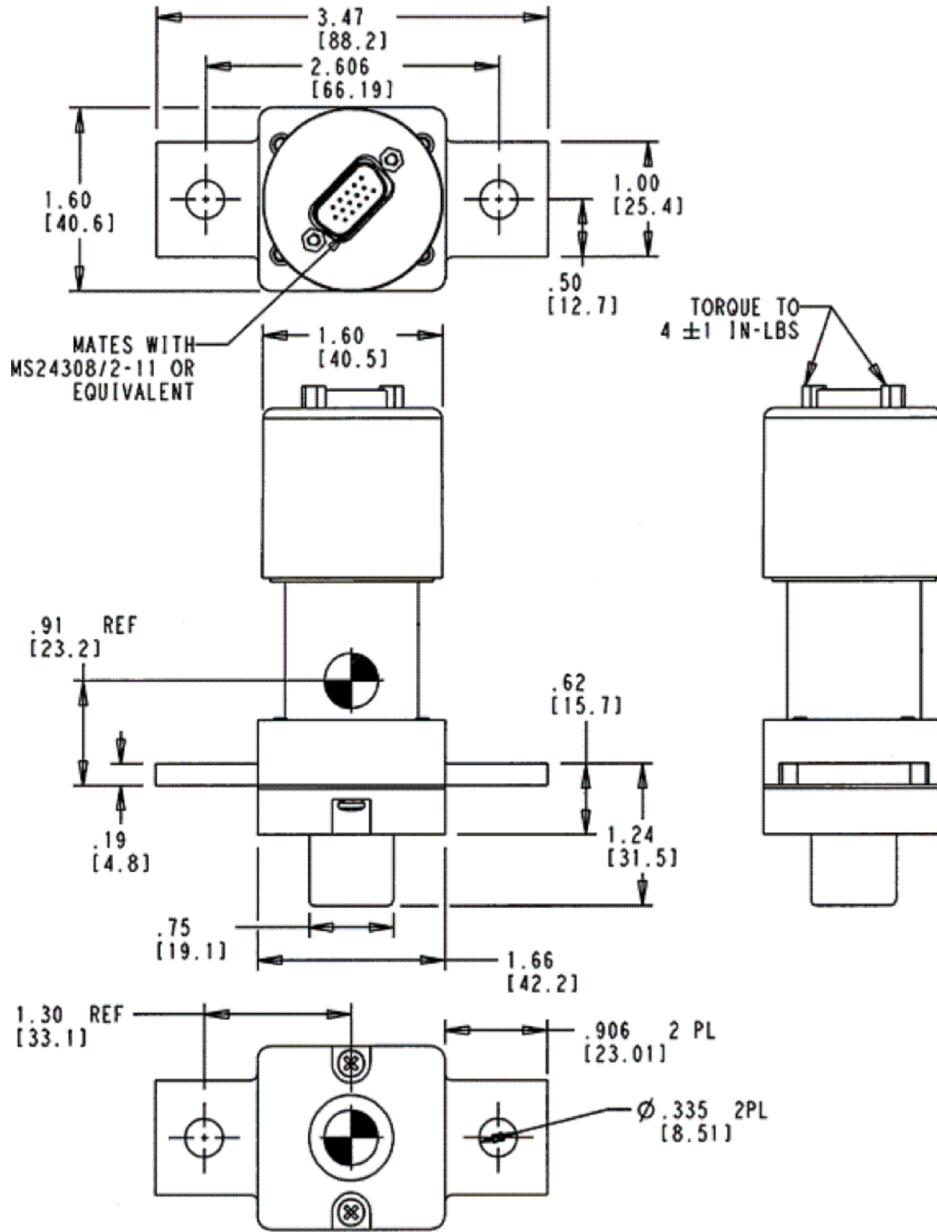


K500B7C02
 CONTACTOR SPST N.O. DB
 500 AMP, 28 VDC

REVISIONS

REV.	ECO	DESCRIPTION	DATE	APPROVED
A	-	INITIAL RELEASE	30JAN2013	RSS



- NOTES:
- CONTACTOR MEETS MATERIAL AND WORKMANSHIP REQUIREMENTS OF MIL-PRF-6106L.
 - INSTALLATION TORQUE 56 IN-LBS.
 - AUX CONTACTS ARE GOLD PLATED
 - LOW LEVEL RATING NOT APPLICABLE AFTER APPLICATION OF CURRENT GREATER THAN 125mA.

ALL DIMENSIONS ARE IN INCHES



TE CONNECTIVITY
 175 N, DIAMOND STREET MANSFIELD,
 OHIO 44902

TITLE

CONTACTOR SPST N.O. DB
 500 AMP, 28 VDC

TE P.N.

3-1616991-3

DWG NO.

K500B7C02

DS

DATA SHEET

CAGE CODE
 74063

SCALE
 NONE

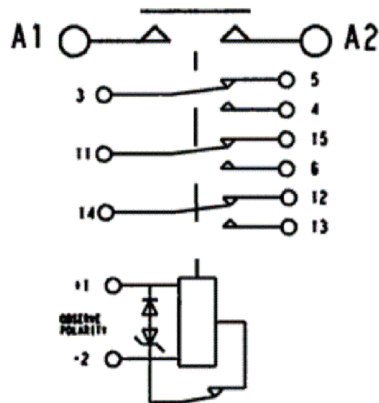
SHEET
 1 OF 2

REV
 A

GENERAL SPECIFICATION

CONSTRUCTION	GASKET SEALED
MAIN CONTACTS	
CONFIGURATION	SPST N.O. (DOUBLE BREAK)
VOLTAGE	28 VDC
CURRENT	
RESISTIVE	500 AMPS
RUPTURE	5000 AMPS
AUXILIARY CONTACTS	
CONFIGURATION	3 SPDT
VOLTAGE	28 VDC
CURRENT	
RESISTIVE	5 AMPS
LAMP	1 AMP
LOW LEVEL	1 mA AT 28 VDC
COIL DATA	
DUTY CYCLE	CONTINUOUS (ECONOMIZED)
NOM. OPERATE VOLTAGE	28 VDC
MAX. PICKUP VOLTAGE	18 VDC
DROPOUT VOLTAGE	1-7 VDC
INRUSH	5 AMPS
HOLD	.272 mA MAX AT 32 VDC -55°C
OPERATE TIME	.045 SEC MAX AT 18 VDC AND 85°C
DROPOUT TIME	.025 SEC MAX AT 32 VDC
ENVIRONMENTAL DATA	
TEMPERATURE	-55°C TO 85°C
ALTITUDE	50,000 FEET
LIFE ELECTRICAL	50,000 CYCLES
LIFE MECHANICAL	100,000 CYCLES
WEIGHT, MAX	.88 LBS

SCHEMATIC



STE
TE CONNECTIVITY
175 N, DIAMOND STREET MANSFIELD,
OHIO 44902

TITLE

CONTACTOR SPST N.O. DB
500 AMP, 28 VDC

TE P.N.

3-1616991-3

DWG NO.

K500B7C02

DS

DATA SHEET

CAGE CODE
74063

SCALE
NONE

SHEET
2 OF 2

REV
A