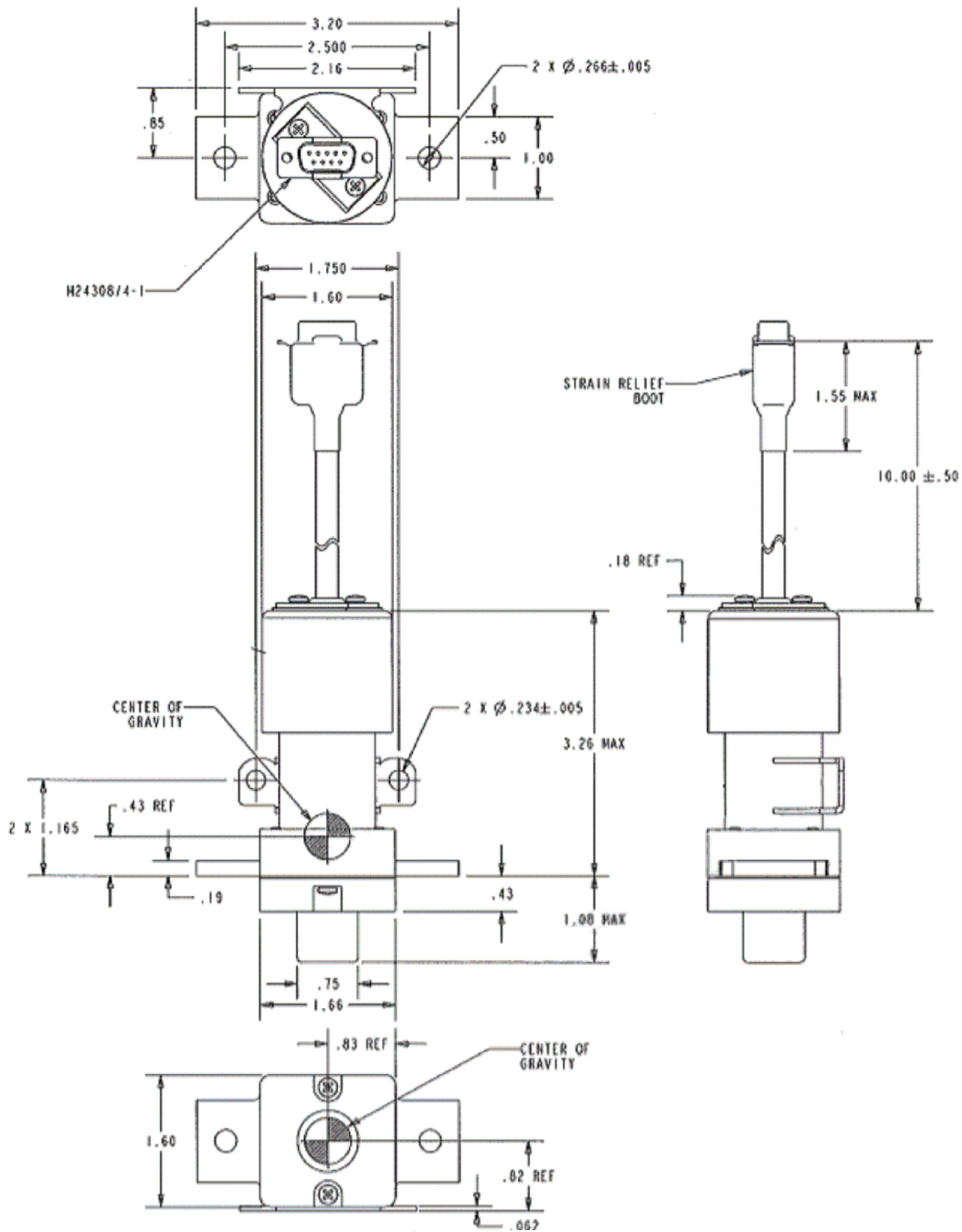


K500A3B01  
 CONTACTOR-SPST N.O. DB  
 500 AMP, 28 VDC

REVISIONS

REV.	ECO	DESCRIPTION	DATE	APPROVED
A	-	RELEASE TO PRODUCTION	28OCT2011	CB



- NOTES:
- AUXILIARY CONTACTS ARE GOLD PLATED.
  - LOW LEVEL RATING NOT APPLICABLE AFTER APPLICATION OF CURRENT GREATER THAN 125 mA.
  - PICKUP MUST BE LIMITED TO 100 mS MINIMUM TO 150 mS MAXIMUM ACROSS PINS 1 AND 2.

ALL DIMENSIONS ARE IN INCHES



TE CONNECTIVITY  
 175 N, DIAMOND STREET MANSFIELD,  
 OHIO 44902

TITLE

CONTACTOR-SPST N.O. DB  
 500 AMP, 28 VDC

TE P.N.

3-1616975-3

DWG NO.

K500A3B01

DS

DATA SHEET

CAGE CODE  
 74063

SCALE  
 NONE

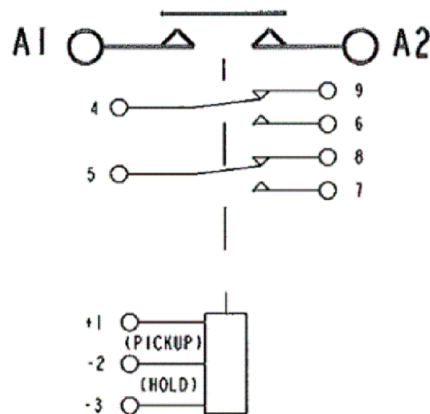
SHEET  
 1 OF 2

REV  
 A

GENERAL SPECIFICATION

<b>CONSTRUCTION</b>	<b>GASKET SEALED</b>
<b>MAIN CONTACTS</b>	
<b>CONFIGURATION</b>	SPST N.O. (DOUBLE BREAK)
<b>VOLTAGE</b>	28 VDC
<b>CURRENT</b>	
RESISTIVE	500 AMPS
INRUSH	5000 AMPS
<b>AUXILIARY CONTACTS</b>	
<b>CONFIGURATION</b>	3 SPDT
<b>VOLTAGE</b>	28 VDC
<b>CURRENT</b>	
RESISTIVE	1 AMP
<b>COIL DATA</b>	
<b>DUTY CYCLE</b>	CONTINUOUS (NON-ECONOMIZED)
<b>NOM. OPERATE VOLTAGE</b>	28 VDC
<b>MAX. PICKUP VOLTAGE</b>	18 VDC
<b>DROPOUT VOLTAGE</b>	1-7 VDC
<b>COIL CURRENT</b>	
INRUSH	9 AMPS
HOLD	272 mA AT -55°C
<b>OPERATE TIME</b>	45 mS AT 18 VDC AT 85°C
<b>RELEASE TIME</b>	25 mS AT 32 VDC
<b>ENVIRONMENTAL DATA</b>	
<b>TEMPERATURE</b>	-55° TO 85°C
<b>ALTITUDE</b>	50,000 FEET
<b>LIFE MECHANICAL</b>	100,000 CYCLES
<b>LIFE ELECTRICAL</b>	50,000 CYCLES
<b>WEIGHT, EST.</b>	.88 LBS

SCHEMATIC



**TE**  
 TE CONNECTIVITY  
 175 N, DIAMOND STREET MANSFIELD,  
 OHIO 44902

TITLE

CONTACTOR-SPST N.O. DB  
 500 AMP, 28 VDC

TE P.N.

3-1616975-3

DWG NO.

K500A3B01

DS

DATA SHEET

CAGE CODE  
 74063

SCALE  
 NONE

SHEET  
 2 OF 2

REV  
 A