



# DEUTSCH 951 SERIES CONNECTORS

UTE C 93422

HE301B & MIL-C-26482 SERIES I

Rugged Bayonet Connector for Military  
Aerospace Harsh Applications



**CONTENTS**

---

Introduction	04
Technical Details	05
Part-Numbering System	06
Key Orientation	08

**951 Sealed Connectors 09**

Arrangements	09
Receptacles	11
Cable Connecting Receptacles	15
Plugs	17
Receptacles for Printed Circuit Boards	18
Accessories	19
Mounting Styles	22
Protective Covers	23
Contacts	25
Tools	25
Coaxial Contacts and Tools	26

**951 Hermetic Connectors 28**

Technical Characteristics	28
Part-Numbering System	29
Hermetic Receptacles	31
Feedthrough	32
Panel Seal	33

# DEUTSCH 951 SERIES CONNECTORS

UTE C 93422 - HE301B & MIL-C-26482 series I



DEUTSCH SERIES 951 CONNECTORS MEET THE REQUIREMENTS OF UTE C 93422, MODEL HE301B, LN29500 AND MIL-C-26482 SERIES I SPECIFICATIONS.

951 series connectors are available in three different versions :

- I - Crimp type contacts with removable retaining clips**
- II - Solder type contacts (Consult us)**
- III - Hermetic**

## I - 951 SERIES CONNECTORS WITH CRIMP TYPE CONTACTS

**Shell:** Aluminum alloy with Olive Drab Cadmium standard plating.

**Insert:** fluoro-silicone (MS 55) designed to withstand immersion in fluids (AIR 3511 - AIR 4225 - DERD 2487 - AIR 3512 - AIR 3516 - AIR 4210), as well as aircraft fluids (Skydrol and Kerosene - mod 395).

**Phenolic center part** with removable contact retaining clips.

**Easy replacement** of broken clip to help prevent the loss of a complete connector.

## II - 951 SERIES CONNECTORS WITH SOLDER TYPE CONTACTS (Consult us)

**Nonremovable contacts.**

**Insert:** Neoprene.

## III - 951 SERIES HERMETIC CONNECTORS

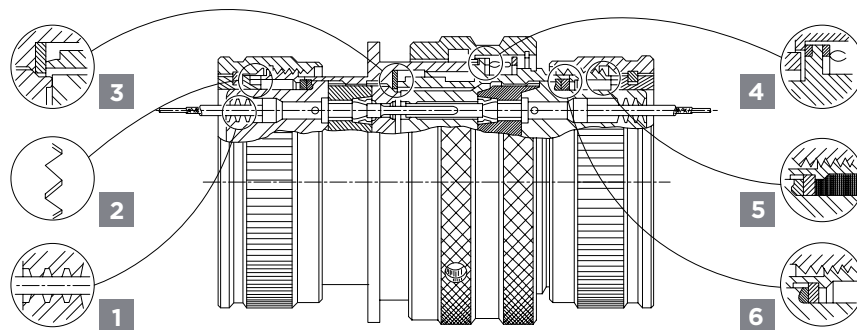
**Special steels.**

**Glass-to-metal** sealed contacts.

**Extremely low leakage rates.**

**Hermetic connectors** can withstand differential pressures of 70 Kg/cm<sup>2</sup>, without loss of electrical characteristics.

1. Sealing barriers
2. Anti-rotation tooth system on rear of connector body
3. Compressed inserts and peripheral gasket
4. Anti-friction washers
5. Sealing between shell and insert ensured by potting
6. Retaining clip for mechanical retention of insert



# DEUTSCH 951 SEALED CONNECTORS

UTE C 93422 - HE301B & MIL-C-26482 series I



## Technical Details

### MECHANICAL

**Shell:**

**Material:** Aluminum alloy

**Plating:** Standard plating - Olive Drab Cadmium passivated.

Other plating option - Clear Cadmium, Black Anodised for tropical environment

**Insert:**

**Material:** Fluoro-silicone

**Specifications:** Kerosene and aircraft fluids per MIL-C-26482

Engine oils AIR 3512, AIR 3513, AIR 3515

Hydraulic fluids AIR 3520

**Type of contact:** Crimp or solder type

**Contact plating:** Gold

**Contact retaining clip:** Removable

**Mechanical life:** 500 cycles of mating and unmating

**Contact retention:** Size 20: 67 N / Size 16: 111 N

**Temperature range:**

Crimp type - 55° C to + 150° C

Solder type - 55° C to + 125° C

**Sealing:** Maximum leakage ≤ 16 cm<sup>3</sup>/hr under 2.1 bar pressure differential

### ELECTRICAL

**Dielectric withstanding voltage:**

Service rating 1: 1500 VRMS 50 Hz

Service rating 2: 2300 VRMS 50 Hz

**Service rating:**

Service rating 1: 500 VRMS 50 Hz

Service rating 2: 750 VRMS 50 Hz

**Insulation resistance**

Greater than 5000 Mff at 25° C

After humidity tests greater than > 100 MΩ

**Contacts current rating:** Size 20: 7.5 A / Size 16: 13 A / Size 8: 46 A

**Contacts resistance:** Size 20: 4 mΩ / Size 16: 3 mΩ / Size 8: 1 MΩ

**Accommodated wire size:**

Size 20: 0.21 to 0.93 mm<sup>2</sup>

Size 16: 0.93 to 1.91 mm<sup>2</sup>

Size 8: 5.15 to 8.98 mm<sup>2</sup>

**Maximum outside diameter of cables:**

Contact size 20 crimp type: 0.95 to 2.40 mm

Contact size 16: 1.45 to 2.80 mm

Contact size 20 solder type: 1.50 to 2.10 mm

Contact size 8: Consult us



## Part Numbering System

Example of order : **951 - 00 R 10 - 6 P W 1 50 \*\*\***

<b>MANUFACTURER DEUTSCH</b>	
<b>TYPE 5</b> As per UTE 93422 Specifications	
<b>SHELL TYPE</b>	
00 Square flange receptacle-with adaptor option	
01 In-line receptacle	
02 Square flange receptacle-without adaptor option	
06 Plug	
07 Jam Nut Receptacle for backshells	
08 Plug for right angled backshell	
<b>TYPES OF ACCESSORIES</b> (See page 7)	
<b>SHELL SIZE</b>	
<b>ARRANGEMENTS</b> (See page 9)	
<b>CONTACT TYPE</b>	
P Male contact	
S Female contact	
<b>INSERT POSITIONING LETTER</b>	
Standard position : no letter	
W - X - Y or Z (see page 8)	
<b>TYPE OF CONTACT</b>	
Size 20 Standard, none	
Size 16 Standard, none	
Size 8 Crimp type, consult us Solder type standard : issue 8	
Standard : none	
Coax : Issue 1 : 1 Issue 3 : 3 Issue F5 : F5	
<b>OBLIGATORY SUFFIX</b>	
<b>SPECIAL MODIFICATIONS</b>	
311 Clear cadmium plating	
031 Black Anodised plating	
395 Kerosene resisting insert	
A 315 Fitting for thermoshrink sleeve	
A 231 Special olive drab cadmium 240 hrs salt spray resistance	
Special modifications, consult us	



### ADAPTOR TYPE

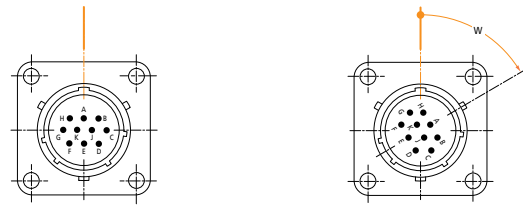
Accessories	Crimping contacts Shell						Soldering contacts* Shell					
	00	01	02	06	07	08	00	01	02	06	07	08
Nut	R	R	-	R	R	-	E	E	-	E	E	-
Adaptor	RA	RA	-	RA	-	-	A	A	-	A	-	-
Straight cable clamp	RC	RC	-	RC	RC	-	EC	EC	-	EC	EC	-
Water-tight	RJ	RJ	-	RJ	RJ	-	J	J	-	J	J	-
Potting cup	RP	RP	-	RP	RP	-	P	P	-	P	P	-
Nut	-	SK	-	SK	-	-	-	EK	-	EK	-	-
Without nut	-	-	R	-	RA	-	-	-	E	-	A	-
Elbowed cable clamp	-	-	-	-	-	RC	-	-	-	-	-	EC
Closed elbowed cable clamp	-	-	-	-	-	SC	-	-	-	-	-	C
Closed water-tight end bell	-	-	-	-	-	SJ	-	-	-	-	-	EJ
Water-tight colletting end bell	-	-	-	-	-	SK	-	-	-	-	-	EK
Elbowed cable clamp and water-tight	-	-	-	-	-	SL	-	-	-	-	-	EL
Grounding adaptor	RT	RT	-	RT	RT	-	-	-	-	-	-	-

\*Consult us for the soldering contact version.



# Key Orientation

Male front face view



Normal clocking position

Normal clocking position

The position of the insert is standard when the vertical axis of the insert is the same as that of the shell key or keyway ; a difference can be made between 2 connectors of same contact arrangement by a rotation of one of the insert within its shell. This rotation of the insert is made clockwise for pin inserts and counter-clockwise for socket inserts.

The below tables gives the insert clocking position W,X,Y and Z.

Arrangements	Key orientation in degrees				Contact size			Meet specification			Available in series			Service rating (see page 5)
	W	X	Y	Z	20	16	Coax.	UTE 93 422	Mil-C 26482	LN 29500	Crimp type	Solder type	Hermetic	
8-2	58	122	-	-	2	-	-	-	-	-	●	●	●	1
8-3	60	210	-	-	3	-	-	-	●	-	●	●	●	1
8-3A/8-98	60	210	-	-	3	-	-	-	●	●	●	●	●	1
8-4	45	-	-	-	4	-	-	-	●	-	●	●	●	1
8-33	90	-	-	-	3	-	-	●	●	-	●	●	-	1
10-6	90	-	-	-	6	-	-	●	●	●	●	●	●	1
10-8	-	-	-	-	8	-	-	-	-	-	-	●	-	1
10-98	90	180	240	270	6	-	-	-	●	-	●	-	●	1
12-3	-	-	180	-	-	3	-	●	●	●	●	●	●	2
12-8	90	112	203	292	8	-	-	-	-	-	●	●	●	1
12-10	60	155	270	295	10	-	-	●	●	●	●	●	●	1
14-5	40	92	184	273	-	5	-	●	●	●	●	●	●	2
14-12	43	90	-	-	8	4	-	●	●	-	●	●	●	1
14-15	17	110	155	234	14	1	-	●	●	-	●	●	●	1
14-18	15	90	180	270	-	18	-	●	●	-	●	●	●	1
14-19	30	165	315	-	19	-	-	●	●	●	●	●	●	1
16-8	54	152	180	331	-	8	-	●	●	-	●	●	●	2
16-23	158	270	-	-	22	1	-	●	●	-	●	-	●	1
16-26	60	-	275	338	26	-	-	●	●	-	●	●	●	1
16-99	66	156	223	340	21	2	-	-	-	-	-	-	●	1
18-11	62	119	241	340	-	11	-	●	●	●	●	●	●	2
18-28	49	158	207	329	26	2	-	-	-	-	-	-	●	1
18-30	180	193	285	350	29	1	-	●	-	-	●	-	-	1
18-32	85	138	222	265	32	-	-	●	●	-	●	●	●	1
18-800	45	90	135	160	32	-	2	-	-	-	●	-	-	1
20-16	238	318	333	347	-	16	-	●	●	●	●	●	●	2
20-27	72	144	216	288	27	-	-	●	-	-	-	-	●	1
20-39	63	144	252	333	37	2	-	●	●	-	●	●	●	1
20-41	45	126	225	-	41	-	-	●	●	●	●	●	●	1
22-21	16	135	175	349	-	21	-	●	●	-	●	●	●	2
22-32	72	145	215	288	32	-	-	-	-	-	-	-	●	1
22-41	39	-	-	-	27	14	-	-	-	-	●	●	●	1
22-55	30	142	226	314	55	-	-	●	●	●	●	●	●	1
22-61	90	180	270	324	61	-	-	●	●	-	●	●	●	1
24-100	45	90	135	-	-	-	10	-	-	-	●	-	●	1

● Special tools and contacts



# Arrangements

## MALE INSERT VIEWED FROM FRONT FACE

<p><b>8-2*</b> 2 contacts size 20</p>	<p><b>8-3</b> 3 contacts size 20</p>	<p><b>8-3A/8-98</b> 3 contacts size 20</p>
<p><b>8-4</b> 4 contacts size 20</p>	<p><b>8-33</b> 3 contacts size 20</p>	<p><b>10-6</b> 6 contacts size 20</p>
<p><b>10-8*</b> 8 contacts size 20</p>	<p><b>10-98</b> 6 contacts size 20</p>	<p><b>12-3</b> 3 contacts size 16</p>
<p><b>12-8</b> 8 contacts size 20</p>	<p><b>12-10</b> 10 contacts size 20</p>	<p><b>14-5</b> 5 contacts size 16</p>
<p><b>14-12</b> 8 contacts size 20 4 contacts size 16</p>	<p><b>14-15</b> 14 contacts size 20 1 contacts size 16</p>	<p><b>14-18</b> 18 contacts size 20</p>
<p><b>14-19</b> 19 contacts size 20</p>	<p><b>16-8</b> 8 contacts size 16</p>	<p><b>16-23</b> 22 contacts size 20 1 contacts size 16</p>
<p><b>16-26</b> 26 contacts size 20</p>	<p><b>16-99*</b> 21 contacts size 20 2 contacts size 16</p>	<p><b>18-11</b> 11 contacts size 16</p>
<p><b>18-28</b> 26 contacts size 20 2 contacts size 16</p>	<p><b>18-30*</b> 29 contacts size 20 1 contacts size 16</p>	<p><b>18-32</b> 32 contacts size 20</p>
<p><b>18-800</b> 6 contacts size 20 2 contacts size 8</p>	<p><b>18-808*</b> 6 contacts size 20 2 contacts size 8</p>	<p><b>20-16</b> 16 contacts size 16</p>

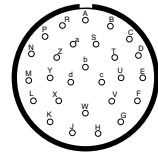
● Special tools and contacts / \* Consult us.



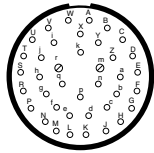
# Arrangements

## MALE INSERT VIEWED FROM FRONT FACE

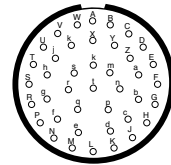
**20-27**  
22 contacts size 20



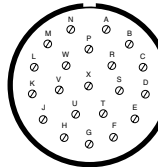
**20-39**  
37 contacts size 20  
2 contacts size 16



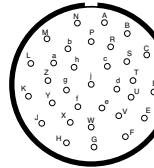
**20-41**  
4 contacts size 20



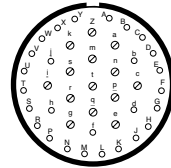
**22-21**  
21 contacts size 16



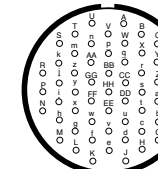
**22-32**  
32 contacts size 20



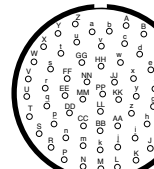
**22-41**  
27 contacts size 20  
14 contacts size 16



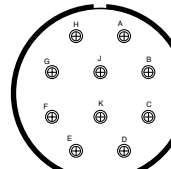
**22-55**  
55 contacts size 20



**24-61**  
61 contacts size 20



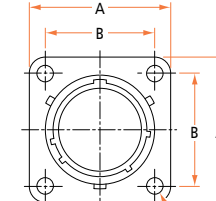
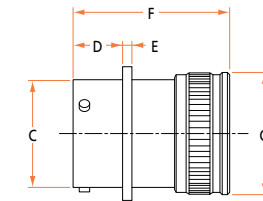
**24-100**  
10 contacts size 8



# Receptacles

## SQUARE FLANGE RECEPTACLE

TYPE **00 R**  
**00 E**



Mounting styles  
(see page 22)

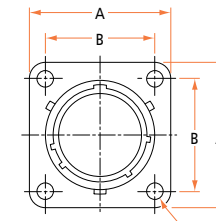
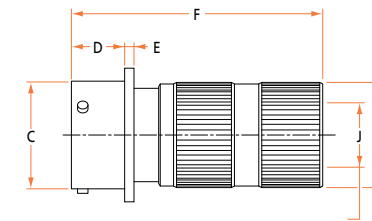
4 holes  $\varnothing 3.15^{+0.15}$  sizes 8 to 22  
4 holes  $\varnothing 3.73^{+0.15}$  size 24

Crimp type Part-number	A max.	B $\pm 0.1$	C max.	D $\pm 0.15$	E max.	F max.	G max.	Solder type Part-number
951-00 R 8-** P/S 50	21.10	15.08	12.03	11.13	1.45	31.2	15.50	951-00 E 8-** P/S 50
951-00 R 10-** P/S 50	24.35	18.26	15.01	11.13	1.45	31.2	18.70	951-00 E 10-** P/S 50
951-00 R 12-** P/S 50	26.70	20.62	19.07	11.13	1.45	31.2	21.80	951-00 E 12-** P/S 50
951-00 R 14-** P/S 50	29.05	23.02	22.24	11.13	1.45	31.2	25.00	951-00 E 14-** P/S 50
951-00 R 16-** P/S 50	31.30	24.58	25.42	11.13	1.45	31.2	28.20	951-00 E 16-** P/S 50
951-00 R 18-** P/S 50	33.70	26.98	28.60	11.13	1.45	31.2	30.25	951-00 E 18-** P/S 50
951-00 R 20-** P/S 50	36.85	29.36	31.77	14.30	2.25	31.1	33.55	951-00 E 20-** P/S 50
951-00 R 22-** P/S 50	39.95	31.76	34.94	14.30	2.25	31.1	36.85	951-00 E 22-** P/S 50
951-00 R 24-** P/S 50	43.15	34.92	38.12	15.10	2.25	31.1	40.50	951-00 E 24-** P/S 50

Millimeters

## SQUARE FLANGE RECEPTACLE WITH WATERTIGHT CABLE CLAMP

TYPE **00 RJ**  
**00 J**



Mounting styles  
(see page 22)

$\varnothing$  allowed cable

4 holes  $\varnothing 3.15^{+0.15}$  sizes 8 to 22  
4 holes  $\varnothing 3.73^{+0.15}$  size 24

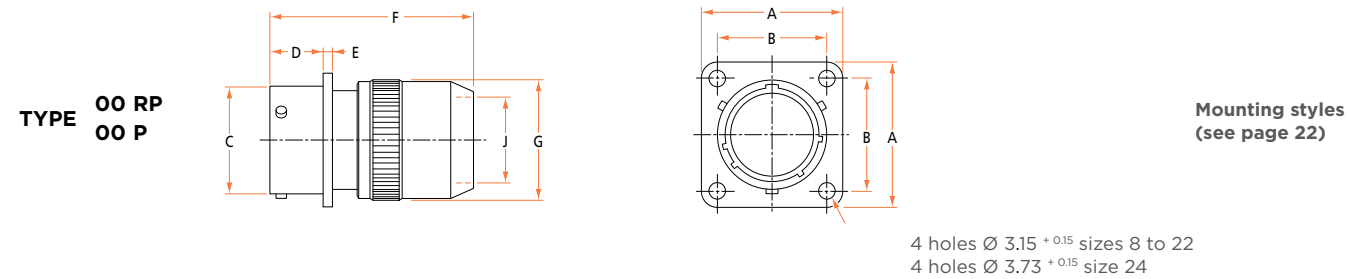
Crimp type Part-number	A max.	B $\pm 0.1$	C max.	D $\pm 0.15$	E max.	F max.	G max.	J $\pm 0.4$	Solder type Part-number
951-00 RJ 8-** P/S 50	21.10	15.08	12.03	11.13	1.45	47.6	15.40	5.44	951-00 J 8-** P/S 50
951-00 RJ 10-** P/S 50	24.35	18.26	15.01	11.13	1.45	47.6	18.60	6.35	951-00 J 10-** P/S 50
951-00 RJ 12-** P/S 50	26.70	20.62	19.07	11.13	1.45	47.6	21.45	9.75	951-00 J 12-** P/S 50
951-00 RJ 14-** P/S 50	29.05	23.02	22.24	11.13	1.45	52	24.70	11.73	951-00 J 14-** P/S 50
951-00 RJ 16-** P/S 50	31.30	24.58	25.42	11.13	1.45	58	27.90	15.14	951-00 J 16-** P/S 50
951-00 RJ 18-** P/S 50	33.70	26.98	28.60	11.13	1.45	63.5	29.85	16.41	951-00 J 18-** P/S 50
951-00 RJ 20-** P/S 50	36.85	29.36	31.77	14.30	2.25	75.2	33.15	17.30	951-00 J 20-** P/S 50
951-00 RJ 22-** P/S 50	39.95	31.76	34.94	14.30	2.25	79.1	36.45	18.19	951-00 J 22-** P/S 50
951-00 RJ 24-** P/S 50	43.15	34.92	38.12	15.10	2.25	84	40.00	20.75	951-00 J 24-** P/S 50

Millimeters





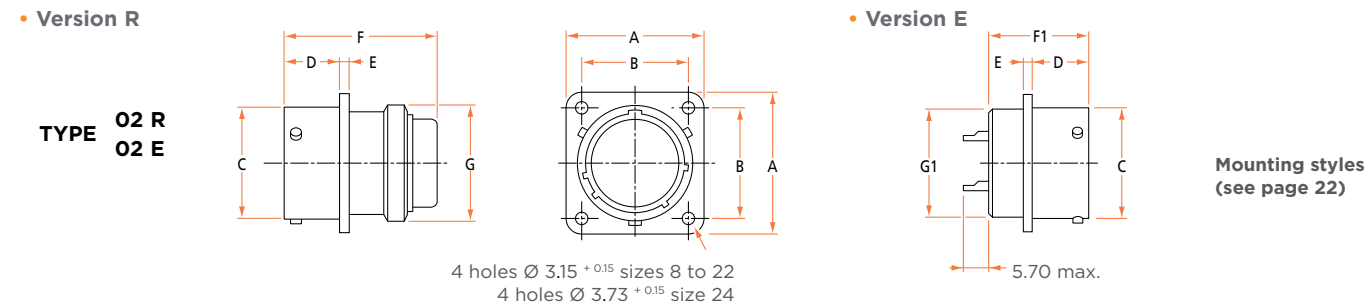
SQUARE FLANGE RECEPTACLE WITH POTTING CUP



Crimp type Part-number	A max.	B $\pm 0.1$	C max.	D $\pm 0.15$	E max.	F max.	G max.	J min.	Solder type Part-number
951-00 RP 8-** P/S 50	21.10	15.08	12.03	11.13	1.45	39.85	15.40	7.95	951-00 P 8-** P/S 50
951-00 RP 10-** P/S 50	24.35	18.26	15.01	11.13	1.45	39.85	18.60	11.05	951-00 P 10-** P/S 50
951-00 RP 10-** P/S 50	26.70	20.62	19.07	11.13	1.45	39.85	21.45	14.15	951-00 P 12-** P/S 50
951-00 RP 14-** P/S 50	29.05	23.02	22.24	11.13	1.45	45.35	24.70	17.40	951-00 P 14-** P/S 50
951-00 RP 16-** P/S 50	31.30	24.58	25.42	11.13	1.45	45.35	27.90	20.55	951-00 P 16-** P/S 50
951-00 RP 18-** P/S 50	33.70	26.98	28.60	11.13	1.45	45.35	29.85	23.00	951-00 P 18-** P/S 50
951-00 RP 20-** P/S 50	36.85	29.36	31.77	14.30	2.25	47.20	33.15	25.95	951-00 P 20-** P/S 50
951-00 RP 22-** P/S 50	39.95	31.76	34.94	14.30	2.25	47.20	36.45	29.10	951-00 P 22-** P/S 50
951-00 RP 24-** P/S 50	43.15	34.92	38.12	15.10	2.25	47.20	40.00	32.55	951-00 P 24-** P/S 50

Millimeters

SQAURE FLANGE RECEPTACLE-WITHOUT ADAPTER OPTION

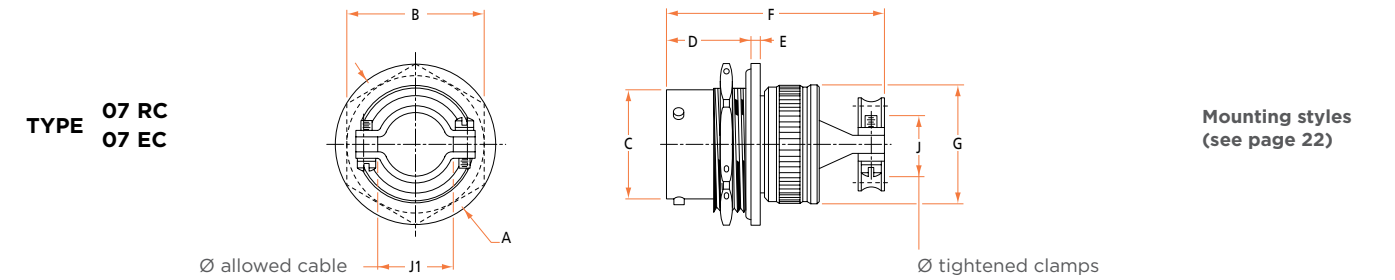


Crimp type Part-number	A max.	B $\pm 0.1$	C max.	D $\pm 0.15$	E max.	F max.	F1 max.	G max.	G1 max.	Solder type Part-number
951-02 R 8-** P/S 50	21.10	15.08	12.03	11.13	1.45	30.35	19.50	12.75	11.35	951-02 E 8-** P/S 50
951-02 R 10-** P/S 50	24.35	18.26	15.01	11.13	1.45	30.35	19.50	15.90	14.55	951-02 E 10-** P/S 50
951-02 R 12-** P/S 50	26.70	20.62	19.07	11.13	1.45	30.35	19.50	19.10	17.70	951-02 E 12-** P/S 50
951-02 R 14-** P/S 50	29.05	23.02	22.24	11.13	1.45	30.35	19.50	22.25	20.85	951-02 E 14-** P/S 50
951-02 R 16-** P/S 50	31.30	24.58	25.42	11.13	1.45	30.35	19.50	25.45	24.00	951-02 E 16-** P/S 50
951-02 R 18-** P/S 50	33.70	26.98	28.60	11.13	1.45	30.35	19.50	27.05	25.50	951-02 E 18-** P/S 50
951-02 R 20-** P/S 50	36.85	29.36	31.77	14.30	2.25	33.10	21.10	30.20	28.65	951-02 E 20-** P/S 50
951-02 R 22-** P/S 50	39.95	31.76	34.94	14.30	2.25	33.10	21.10	33.35	31.85	951-02 E 22-** P/S 50
951-02 R 24-** P/S 50	43.15	34.92	38.12	15.10	2.25	33.10	21.10	36.55	35.00	951-02 E 24-** P/S 50

Millimeters



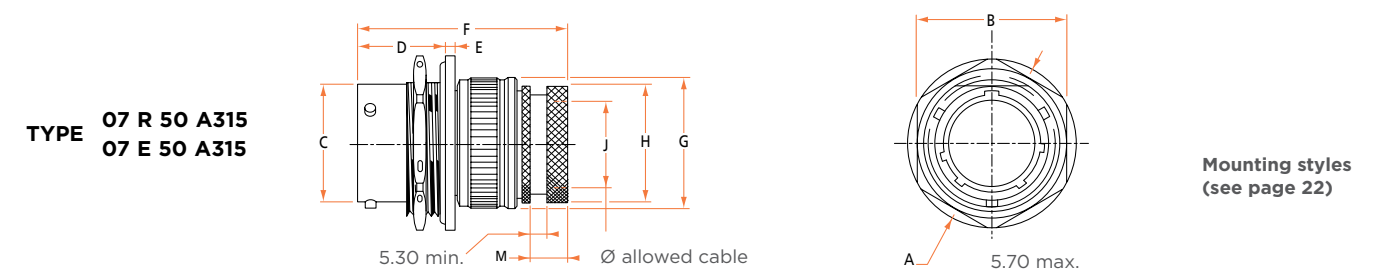
JAM-NUT RECEPTACLE WITH STRAIGHT CLAMP



Crimp type Part-number	A max.	B max.	C max.	D $\pm 0.15$	E max.	F max.	G max.	without sleeve		with sleeve		Solder type Part-number
								J	J1	J	J1	
951-07 RC 8-** P/S 50	23.40	19.20	12.03	16.75	2.05	40.4	15.50	5.15	6.30	2.40	3.00	951-00 P 8-** P/S 50
951-07 RC 10-** P/S 50	26.70	22.37	15.01	16.75	2.05	40.4	18.70	7.25	7.95	3.00	4.00	951-00 P 10-** P/S 50
951-07 RC 12-** P/S 50	30.40	27.12	19.07	16.75	2.05	40.4	21.80	10.55	12.40	5.60	7.90	951-00 P 12-** P/S 50
951-07 RC 14-** P/S 50	33.80	30.30	22.24	16.75	2.05	46.4	25.00	12.05	14.55	7.90	11.10	951-00 P 14-** P/S 50
951-07 RC 16-** P/S 50	37.00	33.47	25.42	16.75	2.05	46.4	28.20	15.85	17.75	7.90	11.10	951-00 P 16-** P/S 50
951-07 RC 18-** P/S 50	40.15	36.67	28.60	16.75	2.05	46.4	30.25	17.95	19.75	11.10	14.30	951-00 P 18-** P/S 50
951-07 RC 20-** P/S 50	45.20	39.82	31.77	18.50	3.15	48.3	33.55	21.05	22.90	14.30	15.90	951-00 P 20-** P/S 50
951-00 RP 22-** P/S 50	48.35	43.02	34.94	18.50	3.15	48.3	36.85	24.25	26.10	15.90	19.00	951-00 P 22-** P/S 50
951-07 RC 24-** P/S 50	51.55	46.17	38.12	18.50	3.15	48.3	40.50	27.45	28.70	19.00	23.80	951-00 P 24-** P/S 50

Millimeters

JAM-NUT RECEPTACLE FOR THERMOSHRINK SLEEVE



Crimp type Part-number	A max.	B max.	C max.	D $\pm 0.1$	E max.	F max.	G max.	H max.	J max.	M	Solder type Part-number
951-07 R 8-** P/S 50 A315	23.40	19.20	12.03	16.75	2.05	41.10	15.50	13.55	6.50	7.80	951-07 E 8-** P/S 50 A315
951-07 R 10-** P/S 50 A315	26.70	22.37	15.01	16.75	2.05	41.10	18.70	15.40	9.20	7.80	951-02 E 10-** P/S 50
951-07 R 12-** P/S 50 A315	30.40	27.12	19.07	16.75	2.05	41.10	21.80	19.70	12.65	7.80	951-07 E 12-** P/S 50 A315
951-07 R 14-** P/S 50 A315	33.80	30.30	22.24	16.75	2.05	41.10	25.00	21.30	14.50	7.80	951-07 E 14-** P/S 50 A315
951-07 R 16-** P/S 50 A315	37.00	33.47	25.42	16.75	2.05	41.10	28.20	24.50	17.70	7.80	951-07 E 16-** P/S 50 A315
951-07 R 18-** P/S 50 A315	40.15	36.67	28.60	16.75	2.05	41.10	30.25	26.50	19.70	7.80	951-07 E 18-** P/S 50 A315
951-02 R 20-** P/S 50	45.20	39.82	31.77	18.50	3.15	45.30	33.55	30.95	22.90	10.08	951-02 E 20-** P/S 50 A315
951-07 R 22-** P/S 50 A315	48.35	43.02	34.94	18.50	3.15	45.95	36.85	34.45	26.05	10.65	951-07 E 22-** P/S 50 A315
951-07 R 24-** P/S 50 A315	51.55	46.17	38.12	18.50	3.15	45.95	40.50	36.65	29.05	10.65	951-07 E 24-** P/S 50 A315

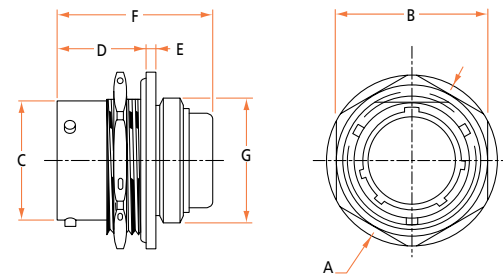
Millimeters



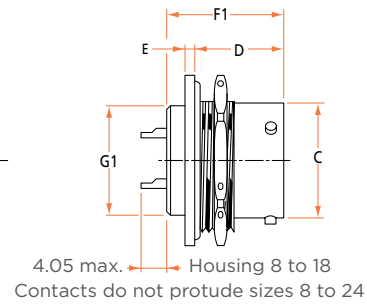
JAM-NUT RECEPTACLE- WITHOUT ADAPTOR OPTION

• Version RA

TYPE 07 RA  
07 A



• Version A



Mounting styles  
(see page 22)

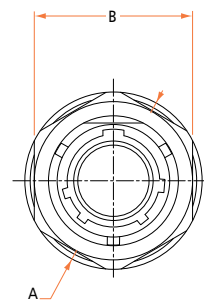
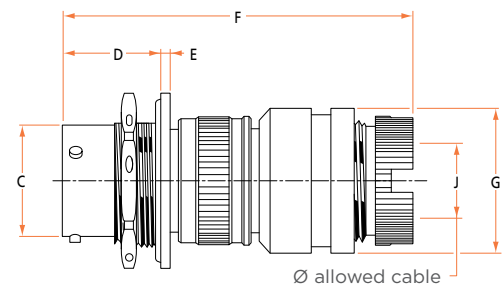
Crimp type Part-number	A max.	B max.	C max.	D ± 0.15	E max.	F max.	F1 max.	G max.	G1 max.	Solder type Part-number
951-07 RA 8-** P/S 50	23.40	19.20	12.03	16.75	2.05	30.35	21.2	12.75	11.35	951-07 A 8-** P/S 50
951-07 RA 10-** P/S 50	26.70	22.37	15.01	16.75	2.05	30.35	21.2	15.90	14.75	951-07 A 10-** P/S 50
951-07 RA 12-** P/S 50	30.40	27.12	19.07	16.75	2.05	30.35	21.2	19.10	17.70	951-07 A 12-** P/S 50
951-07 RA 14-** P/S 50	33.80	30.30	22.24	16.75	2.05	30.35	21.2	22.25	20.85	951-07 A 14-** P/S 50
951-07 RA 16-** P/S 50	37.00	33.47	25.42	16.75	2.05	30.35	21.2	25.45	24.00	951-07 A 16-** P/S 50
951-07 RA 18-** P/S 50	40.15	36.67	28.60	16.75	2.05	30.35	21.2	27.05	25.50	951-07 A 18-** P/S 50
951-07 RA 20-** P/S 50	45.20	39.82	31.77	18.50	3.15	33.10	26.9	30.20	28.65	951-07 A 20-** P/S 50
951-07 RA 22-** P/S 50	48.35	43.02	34.94	18.50	3.15	33.10	26.9	33.35	31.85	951-07 A 22-** P/S 50
951-07 RA 24-** P/S 50	51.55	46.17	38.12	18.50	3.15	33.10	26.9	36.55	35.00	951-07 A 24-** P/S 50

Millimeters

JAM-NUT RECEPTACLE WITH GROUNDING ADAPTOR

F dimension calculated for a braid of 1mm thickness

TYPE 07 RT



Mounting styles  
(see page 22)

Crimp type Part-number	A max.	B max.	C max.	D ± 0.15	E max.	F max.	G max.	J max.
951-07 RT 8-** P/S 50	23.40	19.20	12.03	16.75	2.05	60.80	18.00	6.80
951-07 RT 10-** P/S 50	26.70	22.37	15.01	16.75	2.05	60.60	20.10	7.95
951-07 RT 12-** P/S 50	30.40	27.12	19.07	16.75	2.05	60.50	24.40	12.65
951-07 RT 14-** P/S 50	33.80	30.30	22.24	16.75	2.05	60.70	27.50	14.55
951-07 RT 16-** P/S 50	37.00	33.47	25.42	16.75	2.05	60.50	30.85	17.75
951-07 RT 18-** P/S 50	40.15	36.67	28.60	16.75	2.05	59.80	33.90	19.75
951-07 RT 20-** P/S 50	45.20	39.82	31.77	18.50	3.15	62.15	37.10	22.90
951-07 RT 22-** P/S 50	48.35	43.02	34.94	18.50	3.15	62.25	40.20	26.10
951-07 RT 24-** P/S 50	51.55	46.17	38.12	18.50	3.15	61.35	43.40	30.00

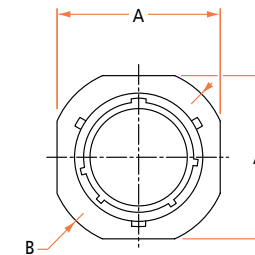
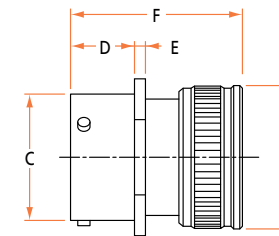
Millimeters



Cable Connecting Receptacles

IN-LINE RECEPTACLE WITH NUT

TYPE 01 R  
01 E

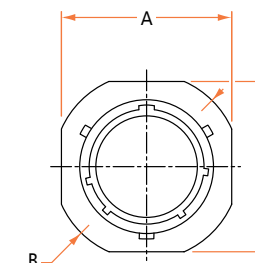
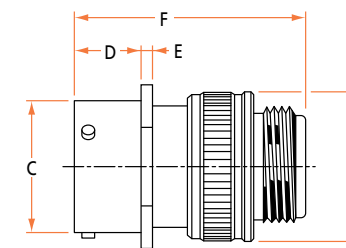


Crimp type Part-number	A max.	B max.	C max.	D ± 0.15	E max.	F max.	G max.	Solder type Part-number
951-01 R 8-** P/S 50	21.10	24.25	12.03	11.13	1.45	31.20	15.50	951-01 E 8-** P/S 50
951-01 R 10-** P/S 50	24.35	27.40	15.01	11.13	1.45	31.20	18.70	951-01 E 10-** P/S 50
951-01 R 12-** P/S 50	26.70	29.80	19.07	11.13	1.45	31.20	21.80	951-01 E 12-** P/S 50
951-01 R 14-** P/S 50	29.05	32.15	22.24	11.13	1.45	31.20	25.00	951-01 E 14-** P/S 50
951-01 R 16-** P/S 50	31.30	34.55	25.42	11.13	1.45	31.20	28.20	951-01 E 16-** P/S 50
951-01 R 18-** P/S 50	33.70	36.95	28.60	11.13	1.45	31.20	30.25	951-01 E 18-** P/S 50
951-01 R 20-** P/S 50	36.85	40.10	31.77	14.30	2.25	33.10	33.55	951-01 E 20-** P/S 50
951-01 R 22-** P/S 50	39.95	43.30	34.94	14.30	2.25	33.10	36.85	951-01 E 22-** P/S 50
951-01 R 24-** P/S 50	43.15	46.40	38.12	15.10	2.25	33.10	40.50	951-01 E 24-** P/S 50

Millimeters

IN-LINE RECEPTACLE WITH ADAPTOR

TYPE 01 RA  
01 A



Crimp type Part-number	A max.	B max.	C max.	D ± 0.15	E max.	F max.	G max.	Solder type Part-number
951-01 RA 8-** P/S 50	21.10	24.25	12.03	11.13	1.45	41.30	15.50	951-01 A 8-** P/S 50
951-01 RA 10-** P/S 50	24.35	27.40	15.01	11.13	1.45	41.30	18.70	951-01 A 10-** P/S 50
951-01 RA 12-** P/S 50	26.70	29.80	19.07	11.13	1.45	41.30	21.80	951-01 A 12-** P/S 50
951-01 RA 14-** P/S 50	29.05	32.15	22.24	11.13	1.45	41.30	25.00	951-01 A 14-** P/S 50
951-01 RA 16-** P/S 50	31.30	34.55	25.42	11.13	1.45	41.30	28.20	951-01 A 16-** P/S 50
951-01 RA 18-** P/S 50	33.70	36.95	28.60	11.13	1.45	41.30	30.25	951-01 A 18-** P/S 50
951-01 RA 20-** P/S 50	36.85	40.10	31.77	14.30	2.25	43.20	33.55	951-01 A 20-** P/S 50
951-01 RA 22-** P/S 50	39.95	43.30	34.94	14.30	2.25	43.20	36.85	951-01 A 22-** P/S 50
951-01 RA 24-** P/S 50	43.15	46.40	38.12	15.10	2.25	43.20	40.50	951-01 A 24-** P/S 50

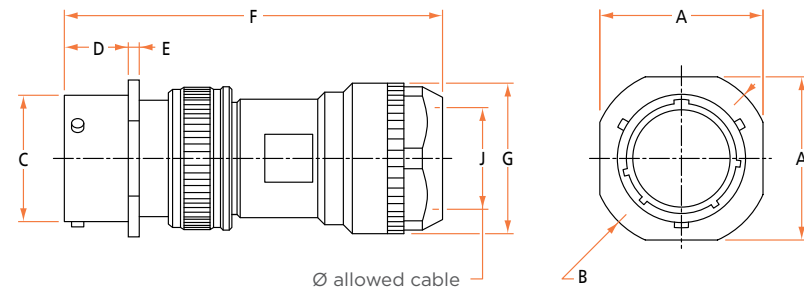
Millimeters





IN-LINE RECEPTACLE WITH WATERTIGHT CABLE CLAMP\*

TYPE 01 SK  
01 EK



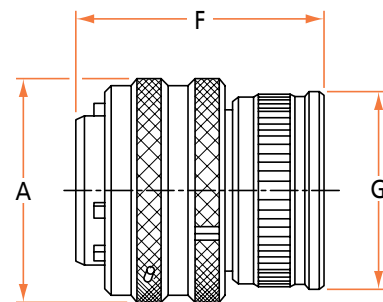
Crimp type Part-number	A max.	B max.	C max.	D ± 0.15	E max.	F max.	G max.	J +0 -2	Solder type Part-number
951-01 SK 8-** P/S 50	21.10	24.25	12.03	11.13	1.45	88.85	22.70	7.00	951-01 EK 8-** P/S 50
951-01 SK 10-** P/S 50	24.35	27.40	15.01	11.13	1.45	95.25	24.70	7.00	951-01 EK 10-** P/S 50
951-01 SK 12-** P/S 50	26.70	29.80	19.07	11.13	1.45	92.90	24.70	10.50	951-01 EK 12-** P/S 50
951-01 SK 14-** P/S 50	29.05	32.15	22.24	11.13	1.45	95.30	29.70	14.50	951-01 EK 14-** P/S 50
951-01 SK 16-** P/S 50	31.30	34.55	25.42	11.13	1.45	97.60	31.70	16.00	951-01 EK 16-** P/S 50
951-01 SK 18-** P/S 50	33.70	36.95	28.60	11.13	1.45	99.80	33.70	18.00	951-01 EK 18-** P/S 50
951-01 SK 20-** P/S 50	36.85	40.10	31.77	14.30	2.25	107.10	35.30	18.00	951-01 EK 20-** P/S 50
951-01 SK 22-** P/S 50	39.95	43.30	34.94	14.30	2.25	110.30	38.30	20.00	951-01 EK 22-** P/S 50
951-01 SK 24-** P/S 50	43.15	46.40	38.12	15.10	2.25	112.80	45.30	22.00	951-01 EK 24-** P/S 50

Millimeters  
\* Consult us

## Plugs

PLUG WITH NUT

TYPE 06 R  
06 E



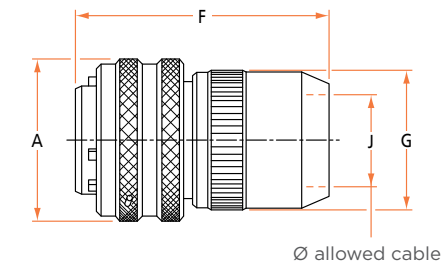
Crimp type Part-number	A max.	F max.	G max.	Solder type Part-number
951-06 R 8-** P/S 50	17.75	31.20	15.50	951-06 E 8-** P/S 50
951-06 R 10-** P/S 50	21.05	31.20	18.70	951-06 E 10-** P/S 50
951-06 R 12-** P/S 50	24.60	31.20	21.80	951-06 E 12-** P/S 50
951-06 R 14-** P/S 50	28.05	31.20	25.00	951-06 E 14-** P/S 50
951-06 R 16-** P/S 50	31.10	31.20	28.20	951-06 E 16-** P/S 50
951-06 R 18-** P/S 50	34.40	31.20	30.25	951-06 E 18-** P/S 50
951-06 R 20-** P/S 50	37.65	32.75	33.55	951-06 E 20-** P/S 50
951-06 R 22-** P/S 50	40.90	32.75	36.85	951-06 E 22-** P/S 50
951-06 R 24-** P/S 50	44.10	32.75	40.50	951-06 E 24-** P/S 50

Millimeters



PLUG WITH POTTING CUP

TYPE 06 RP  
06 P

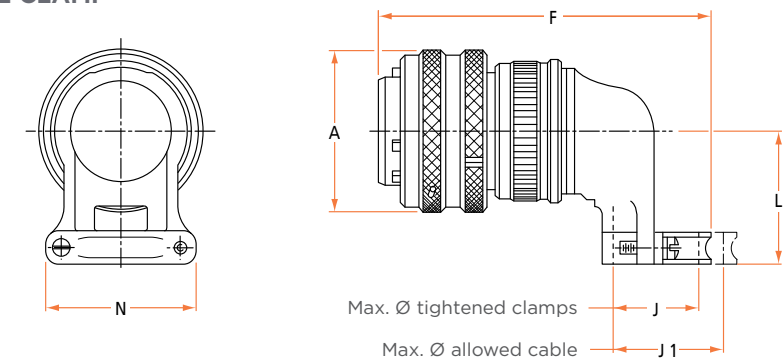


Crimp type Part-number	A max.	F max.	G max.	J mini.	Solder type Part-number
951-06 RP 8-** P/S 50	17.75	39.85	15.40	7.95	951-06 P 8-** P/S 50
951-06 RP 10-** P/S 50	21.05	39.85	18.60	11.05	951-06 P 10-** P/S 50
951-06 RP 12-** P/S 50	24.60	39.85	21.45	14.15	951-06 P 12-** P/S 50
951-06 RP 14-** P/S 50	28.05	45.35	24.70	17.40	951-06 P 14-** P/S 50
951-06 RP 16-** P/S 50	31.10	45.35	27.90	20.55	951-06 P 16-** P/S 50
951-06 RP 18-** P/S 50	34.40	45.35	29.85	23.00	951-06 P 18-** P/S 50
951-06 RP 20-** P/S 50	37.65	46.85	33.15	25.95	951-06 P 20-** P/S 50
951-06 RP 22-** P/S 50	40.90	46.85	36.45	29.10	951-06 P 22-** P/S 50
951-06 RP 24-** P/S 50	44.10	46.85	40.00	32.55	951-06 P 24-** P/S 50

Millimeters

PLUG WITH ELBOWED CABLE CLAMP

TYPE 08 RC  
08 EC



Crimp type Part-number	A max.	F max.	without sleeve		with sleeve		L max.	N max.	Solder type Part-number
			J	J1	J	J1			
951-08 RC 8-** P/S 50	17.75	43.85	5.15	5.80	2.40	3.00	20.70	17.40	951-08 EC 8-** P/S 50
951-08 RC 10-** P/S 50	21.05	46.20	7.25	7.80	3.00	4.00	22.00	20.20	951-08 EC 10-** P/S 50
951-08 RC 12-** P/S 50	24.60	49.65	10.55	11.20	5.60	7.90	23.80	23.60	951-08 EC 12-** P/S 50
951-08 RC 14-** P/S 50	28.05	51.90	12.05	13.20	7.90	11.10	25.30	25.50	951-08 EC 14-** P/S 50
951-08 RC 16-** P/S 50	31.10	55.30	15.85	17.00	7.90	11.10	26.80	29.70	951-08 EC 16-** P/S 50
951-08 RC 18-** P/S 50	34.40	57.85	17.95	19.00	11.10	14.30	28.30	32.60	951-08 EC 18-** P/S 50
951-08 RC 20-** P/S 50	37.65	62.75	21.05	22.70	14.30	15.90	29.90	36.00	951-08 EC 20-** P/S 50
951-08 RC 22-** P/S 50	40.90	65.85	24.25	25.90	15.90	19.00	31.60	39.20	951-08 EC 22-** P/S 50
951-08 RC 24-** P/S 50	44.10	68.95	27.45	29.00	19.00	23.80	33.20	42.80	951-08 EC 24-** P/S 50

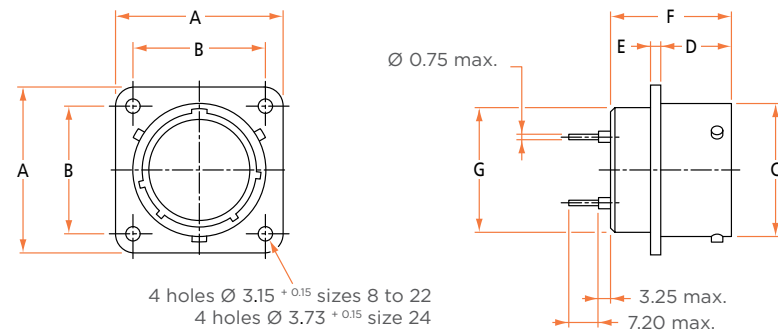
Millimeters



## Receptacles for Printed Circuit Boards (PCB)

### SQUARE FLANGE RECEPTACLE WITHOUT ADAPTOR

TYPE 02 E

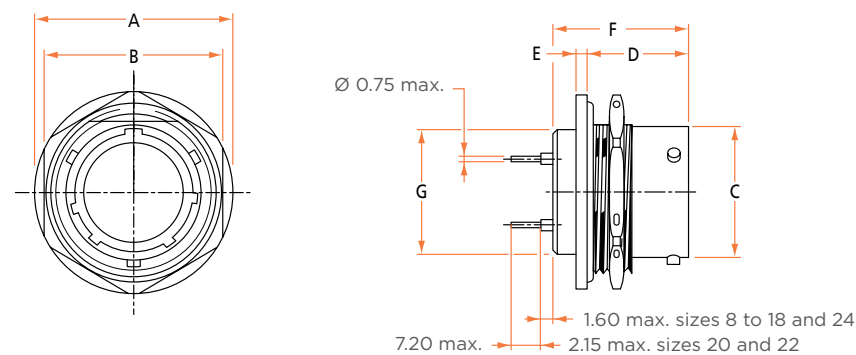


Part-number	A max.	B ± 0.10	C max.	D ± 0.15	E max.	F max.	G max.
951-02 E 8-** P/S 50 A463	21.10	15.08	12.03	11.13	1.45	19.50	11.35
951-02 E 10-** P/S 50 A463	24.35	18.26	15.01	11.13	1.45	19.50	14.55
951-02 E 12-** P/S 50 A463	26.70	20.62	19.07	11.13	1.45	19.50	17.70
951-02 E 14-** P/S 50 A463	29.05	23.02	22.24	11.13	1.45	19.50	20.85
951-02 E 16-** P/S 50 A463	31.30	24.58	25.42	11.13	1.45	19.50	24.00
951-02 E 18-** P/S 50 A463	33.70	26.98	28.60	11.13	1.45	19.50	25.50
951-02 E 20-** P/S 50 A463	36.85	29.36	31.77	14.30	2.25	21.10	28.65
951-02 E 22-** P/S 50 A463	39.95	31.76	34.94	14.30	2.25	21.10	31.85
951-02 E 24-** P/S 50 A463	43.15	34.92	38.12	14.30	2.25	21.10	35.00

Millimeters

### JAM-NUT RECEPTACLE WITHOUT ADAPTOR

TYPE 07 A



Part-number	A max.	B ± 0.15	C max.	D ± 0.15	E max.	F max.	G max.
951-07 A 8-** P/S 50 A463	23.40	19.20	12.03	16.75	2.05	21.20	11.35
951-07 A 10-** P/S 50 A463	26.70	22.37	15.01	16.75	2.05	21.20	14.75
951-07 A 12-** P/S 50 A463	30.40	27.12	19.07	16.75	2.05	21.20	17.70
951-07 A 14-** P/S 50 A463	33.80	30.30	22.24	16.75	2.05	21.20	20.85
951-07 A 16-** P/S 50 A463	37.00	33.47	25.42	16.75	2.05	21.20	24.00
951-07 A 18-** P/S 50 A463	40.15	36.67	28.60	16.75	2.05	21.20	25.50
951-07 A 20-** P/S 50 A463	45.20	39.82	31.77	18.50	3.15	26.90	28.65
951-07 A 22-** P/S 50 A463	48.35	43.02	34.94	18.50	3.15	26.90	31.85
951-07 A 24-** P/S 50 A463	51.55	46.17	38.12	18.50	3.15	27.40	35.00

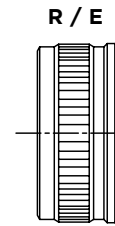
Millimeters



## Accessories

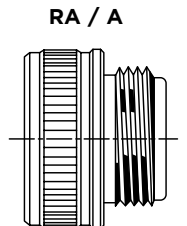
### NUT

Size	Old Part-number	New Part-number
8	P 135-1-08	014-1012-08
10	P 135-1-10	014-1012-10
12	P 135-1-12	014-1012-12
14	P 135-1-14	014-1012-14
16	P 135-1-16	014-1012-16
18	P 135-1-18	014-1012-18
20	P 135-1-20	014-1012-20
22	P 135-1-22	014-1012-22
24	P 135-1-24	014-1012-24



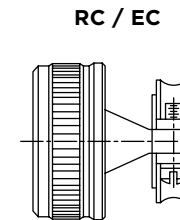
### ADAPTOR

Size	Old Part-number	New Part-number
8	DF 14 A 159-08	014-0159-08
10	DF 14 A 159-10	014-0159-10
12	DF 14 A 159-12	014-0159-12
14	DF 14 A 159-14	014-0159-14
16	DF 14 A 159-16	014-0159-16
18	DF 14 A 159-18	014-0159-18
20	DF 14 A 159-20	014-0159-20
22	DF 14 A 159-22	014-0159-22
24	DF 14 A 159-24	014-0159-24



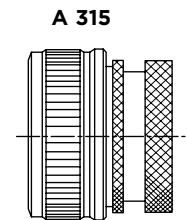
### STRAIGHT CABLE CLAMP

Size	Old Part-number	New Part-number
8	P 135-6-08	014-0997-08
10	P 135-6-10	014-0997-10
12	P 135-6-12	014-0997-12
14	P 135-6-14	014-0997-14
16	P 135-6-16	014-0997-16
18	P 135-6-18	014-0997-18
20	P 135-6-20	014-0997-20
22	P 135-6-22	014-0997-22
24	P 135-6-24	014-0997-24



### FITTING FOR THERMOSHRIK SLEEVE

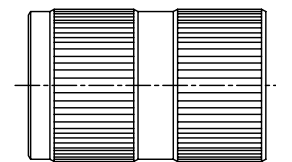
Size	Old Part-number	New Part-number
8	DF 04 A 062-08-12	004-0062-08
10	DF 04 A 062-10-12	004-0062-10
12	DF 04 A 062-12-12	004-0062-12
14	DF 04 A 062-14-12	004-0062-14
16	DF 04 A 062-16-12	004-0062-16
18	DF 04 A 062-18-12	004-0062-18
20	DF 04 A 062-20-12	004-0062-20
22	DF 04 A 062-22-12	004-0062-22
24	DF 04 A 062-24-12	004-0062-24



### WATERTIGHT CABLE CLAMP

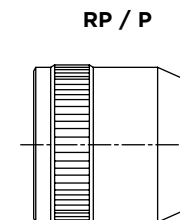
Size	RJ (crimp type) Old Part-number	RJ (crimp type) New Part-number	J (solder type) Old Part-number	J (solder type) New Part-number
8	DF 14 A 268-08	014-0268-08	DF 12-A-107-08	012-0107-08
10	DF 14 A 268-10	014-0268-10	DF 12-A-107-10	012-0107-10
12	DF 14 A 268-12	014-0268-12	DF 12-A-107-12	012-0107-12
14	DF 14 A 268-14	014-0268-14	DF 14-A-107-14	012-0107-14
16	DF 14 A 268-16	014-0268-16	DF 14-A-107-16	012-0107-16
18	DF 14 A 268-18	014-0268-18	DF 14-A-107-18	012-0107-18
20	DF 14 A 268-20	014-0268-20	DF 14-A-107-20	012-0107-20
22	DF 14 A 268-22	014-0268-22	DF 14-A-107-22	012-0107-22
24	DF 14 A 268-24	014-0268-24	DF 14-A-107-24	012-0107-24

RJ / J



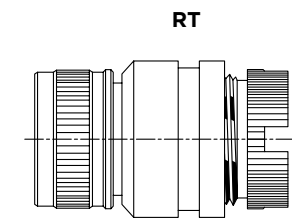
### POTTING CUP

Size	Part-number
8	014-0157-08
10	014-0157-10
12	014-0157-12
14	014-0157-14
16	014-0157-16
18	014-0157-18
20	014-0157-20
22	014-0157-22
24	014-0157-24



### SCREEN TERMINATION

Size	Part-number
8	014-1048-08
10	014-1048-10
12	014-1048-12
14	014-1048-14
16	014-1048-16
18	014-1048-18
20	014-1048-20
22	014-1048-22
24	014-1048-24

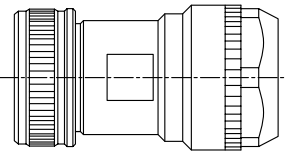




STRAIGHT WATER-TIGHT CABLE CLAMP

Size	Old Part-number	New Part-number
8	DF 14 A 166-08	014-0166-08
10	DF 14 A 166-10	014-0166-10
12	DF 14 A 166-12	014-0166-12
14	DF 14 A 166-14	014-0166-14
16	DF 14 A 166-16	014-0166-16
18	DF 14 A 166-18	014-0166-18
20	DF 14 A 166-20	014-0166-20
22	DF 14 A 166-22	014-0166-22
24	DF 14 A 166-24	014-0166-24

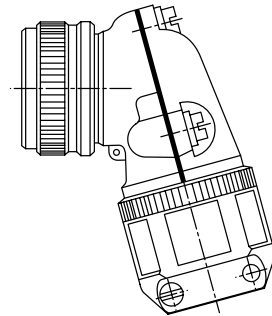
SK / EK



ELBOWED CABLE CLAMP CLOSED

Size	Part-number
8	014-0160-08
10	014-0160-10
12	014-0160-12
14	014-0160-14
16	014-0160-16
18	014-0160-18
20	014-0160-16
22	014-0160-22
24	014-0160-24

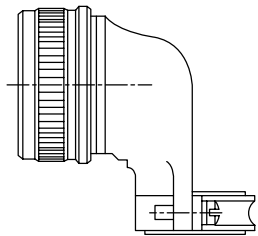
SC / C



ELBOWED CABLE CLAMP

Size	Old Part-number	New Part-number
8	P 135-5-08	014-0996-08
10	P 135-5-10	014-0996-10
12	P 135-5-12	014-0996-12
14	P 135-5-14	014-0996-14
16	P 135-5-16	014-0996-16
18	P 135-5-18	014-0996-18
20	P 135-5-20	014-0996-20
22	P 135-5-22	014-0996-22
24	P 135-5-24	014-0996-24

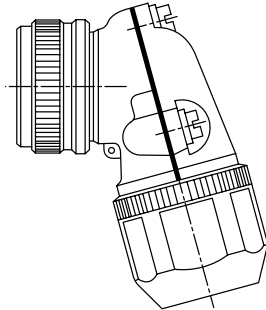
RC / EC



ELBOWED WATER-TIGHT

Size	Old Part-number	New Part-number
8	DF 14 A 169-08	014-0169-08
10	DF 14 A 169-10	014-0169-10
12	DF 14 A 169-12	014-0169-12
14	DF 14 A 169-14	014-0169-14
16	DF 14 A 169-16	014-0169-16
18	DF 14 A 169-18	014-0169-18
20	DF 14 A 169-20	014-0169-20
22	DF 14 A 169-22	014-0169-22
24	DF 14 A 169-24	014-0169-24

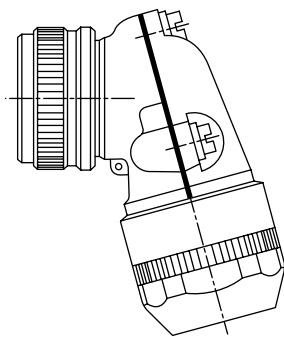
SJ / EJ



WATER-TIGHT END BELL

Size	Old Part-number	New Part-number
8	DF 14 A 163-08	014-0163-08
10	DF 14 A 163-10	014-0163-10
12	DF 14 A 163-12	014-0163-12
14	DF 14 A 163-14	014-0163-14
16	DF 14 A 163-16	014-0163-16
18	DF 14 A 163-18	014-0163-18
20	DF 14 A 163-20	014-0163-20
22	DF 14 A 163-22	014-0163-22
24	DF 14 A 163-24	014-0163-24

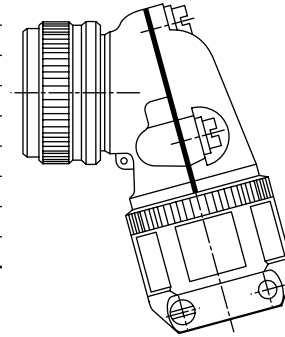
SK / EK



WATER-TIGHT END BELL AND ELBOWED CABLE CLAMP

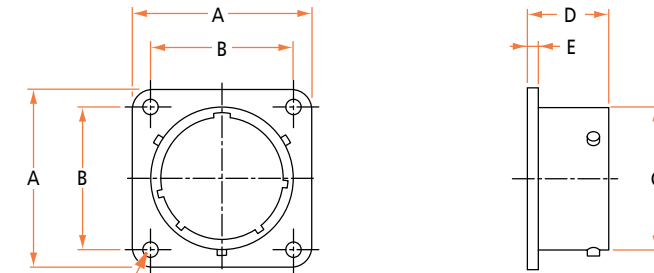
Size	Old Part-number	New Part-number
8	DF 14 A 170-08	014-0170-08
10	DF 14 A 170-10	014-0170-10
12	DF 14 A 170-12	014-0170-12
14	DF 14 A 170-14	014-0170-14
16	DF 14 A 170-16	014-0170-16
18	DF 14 A 170-18	014-0170-18
20	DF 14 A 170-20	014-0170-20
22	DF 14 A 170-22	014-0170-22
24	DF 14 A 170-24	014-0170-24

SL / EL



DUMMY RECEPTACLE FOR PLUG

TYPE 02 PR



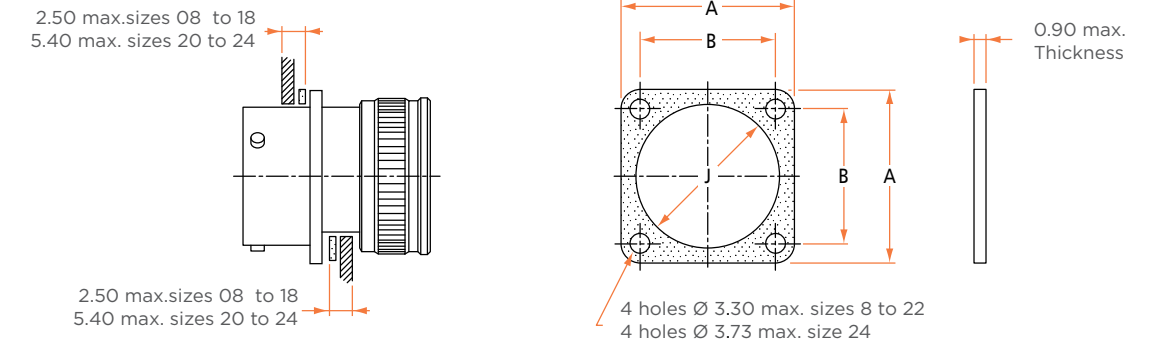
4 holes  $\varnothing 3.15^{+0.15}$  sizes 8 to 22  
4 holes  $\varnothing 3.73^{+0.15}$  size 24

Part-number	A max.	B $\pm 0.1$	C max.	D max.	E max.
951-02 PR 8	21.10	15.08	12.03	14.60	1.90
951-02 PR 10	24.35	18.26	15.01	14.60	1.90
951-02 PR 12	26.70	20.62	19.07	14.60	1.90
951-02 PR 14	29.05	23.02	22.24	14.60	1.90
951-02 PR 16	31.30	24.58	25.42	14.60	1.90
951-02 PR 18	33.70	26.98	28.60	14.60	1.90
951-02 PR 20	36.85	29.36	31.77	17.10	2.45
951-02 PR 22	39.95	31.76	34.94	17.10	2.45
951-02 PR 24	43.15	34.92	38.12	17.10	2.45

Millimeters

PANEL SEAL FOR SQUARE FLANGE RECEPTACLE

TYPE 06 R  
06 E



2.50 max. sizes 08 to 18  
5.40 max. sizes 20 to 24

2.50 max. sizes 08 to 18  
5.40 max. sizes 20 to 24

4 holes  $\varnothing 3.30$  max. sizes 8 to 22  
4 holes  $\varnothing 3.73$  max. size 24

0.90 max. Thickness

Front flange mounting					Rear flange mounting		
Size	Part-number	J max.	A max.	B $\pm 0.1$	J max.	Part-number	Size
8	108-0003-8	12.50	21.10	15.08	10.90	108-0001-8	8
10	108-0003-10	15.40	24.30	18.26	14.10	108-0001-10	10
12	108-0001-12	19.50	26.70	20.62	17.20	108-0001-12	12
14	108-0001-14	22.70	29.10	23.02	20.40	108-0001-14	14
16	108-0001-16	25.90	31.30	24.58	23.60	108-0001-16	16
18	108-0003-18	29.10	33.70	26.98	26.80	108-0001-18	18
20	108-0003-20	32.30	36.90	29.36	30.60	108-0001-20	20
22	108-0003-22	35.40	40.10	31.76	33.50	108-0001-22	22
24	108-0003-24	38.60	43.30	34.92	36.30	108-0001-24	24

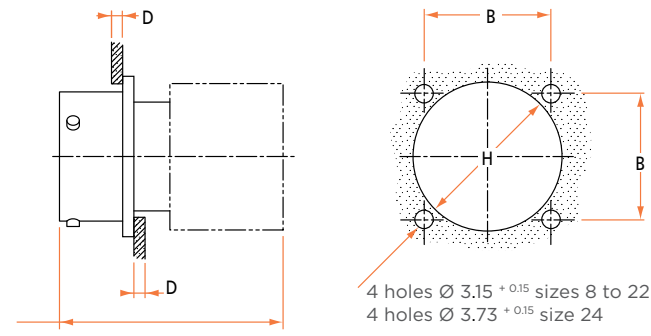
Millimeters



## Mounting Styles

### SQUARE FLANGE RECEPTACLE

TYPE 00 F  
02 F



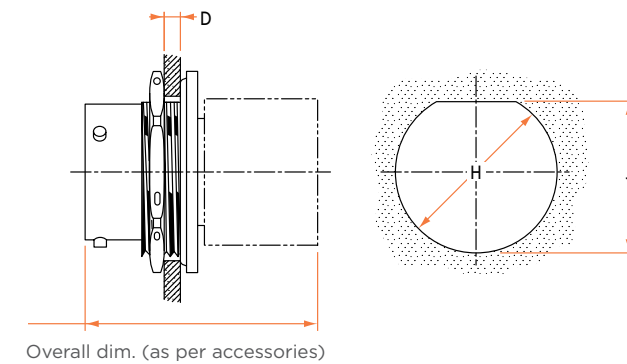
Overall dim. (as per accessories)

Size	B $\pm 0.1$	D max.	H $+ 0$ $- 0.2$
8	15.08	2.50	15.65
10	18.26	2.50	18.90
12	20.62	2.50	22.25
14	23.02	2.50	25.40
16	24.58	2.50	28.55
18	26.98	2.50	31.75
20	29.36	5.40	34.90
22	31.76	5.40	38.10
24	34.92	5.40	41.30

Millimeters

### JAM-NUT MOUNTED RECEPTACLE

TYPE 07 F



Size	B $\pm 0.1$	D max.	H $+ 0$ $- 0.2$
8	4.30	14.70	13.85
10	4.30	17.85	17.05
12	4.30	22.60	21.15
14	4.30	25.80	24.30
16	4.30	28.95	27.45
18	4.30	32.15	30.65
20	6.35	35.30	33.80
22	6.35	38.50	37.00
24	5.60	41.65	40.15

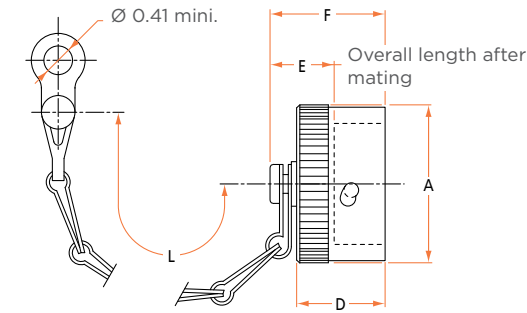
Panel seal gaskets are not supplied along with the connector default. Consult us for the specific sealing requirements.



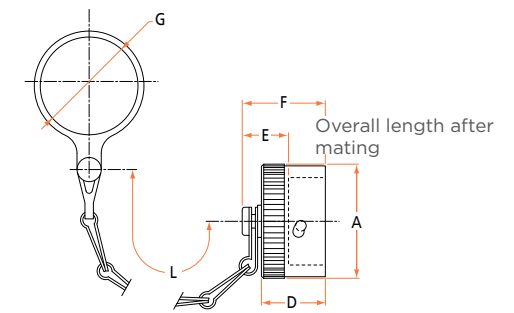
## Protective Covers with Chain

### FOR RECEPTACLE

ATTACHED TO SQUARE FLANGE RECEPTACLE - TYPE 00 B



ATTACHED TO JAM-NUT RECEPTACLE - TYPE 00-07 B

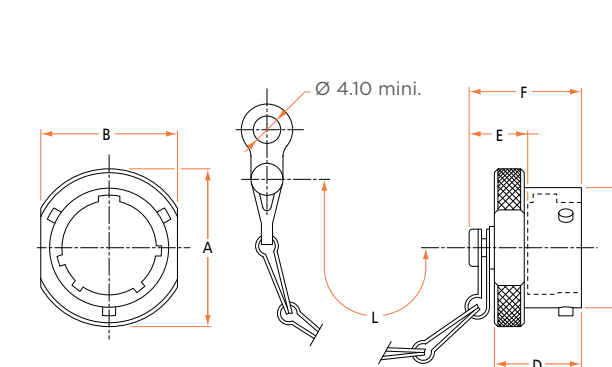


Part-number	A max.	D max.	E max.	F max.	G mini.	L max.	Part-number
951-00 B 8	16.60	14.20	10.15	17.85	14.60	79.00	951-00-07 B8
951-00 B 10	19.70	14.20	10.15	17.85	17.70	79.00	951-00-07 B10
951-00 B 12	24.60	14.20	10.15	17.85	22.50	95.00	951-00-07 B12
951-00 B 14	27.80	14.20	10.15	17.85	25.70	95.00	951-00-07 B14
951-00 B 16	30.90	14.20	10.15	17.85	28.90	95.00	951-00-07 B16
951-00 B 18	34.10	14.20	10.15	17.85	32.00	95.00	951-00-07 B18
951-00 B 20	37.30	14.20	10.15	17.85	35.20	111.00	951-00-07 B20
951-00 B 22	40.50	14.20	10.15	17.85	38.40	111.00	951-00-07 B22
951-00 B 24	44.10	15.20	10.30	18.85	41.60	111.00	951-00-07 B24

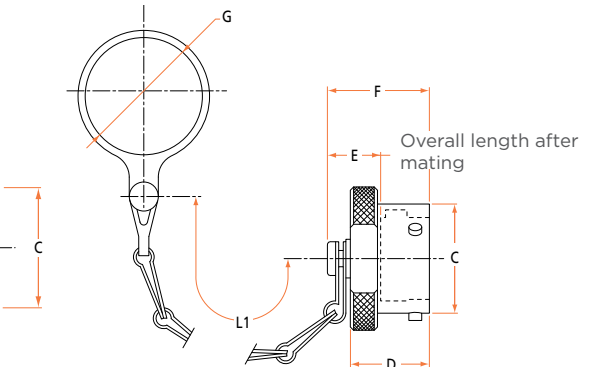
Millimeters

### FOR PLUG

ATTACHED TO ACCESSORY (CABLE CLAMP) - TYPE 06 C



ATTACHED TO PLUG HOUSING - TYPE 06-06 C



Part-number	A max.	B max.	C max.	D max.	E max.	F max.	G mini.	L max.	L1 max.	Part-number
951-06 C 8	18.30	16.10	12.03	14.40	9.60	18.65	12.45	95.00	79.00	951-06-06 C8
951-06 C 10	21.50	18.10	15.01	14.40	9.60	18.65	15.70	95.00	79.00	951-06-06 C10
951-06 C 12	25.40	22.10	19.07	14.40	9.60	18.65	18.85	111.00	95.00	951-06-06 C12
951-06 C 14	28.60	24.10	22.24	14.40	9.60	18.65	22.10	111.00	95.00	951-06-06 C14
951-06 C 6	31.80	27.10	25.42	14.40	9.60	18.65	25.50	111.00	95.00	951-06-06 C16
951-06 C 18	34.90	30.10	28.60	14.40	9.60	18.65	27.35	111.00	95.00	951-06-06 C18
951-06 C 20	38.10	33.10	31.77	16.00	9.60	20.25	30.40	127.00	111.00	951-06-06 C20
951-06 C 22	41.30	36.10	34.94	16.00	9.60	20.25	33.30	127.00	111.00	951-06-06 C22
951-06 C 24	44.50	41.10	38.12	16.80	10.45	21.10	36.80	127.00	111.00	951-06-06 C24

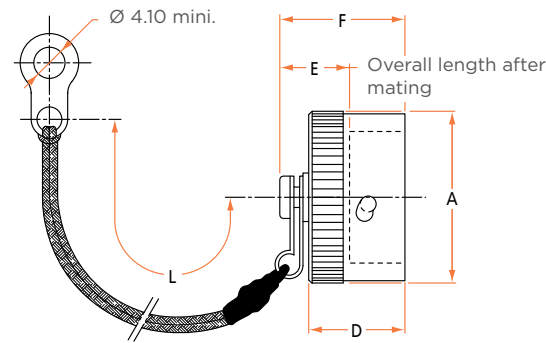
Millimeters



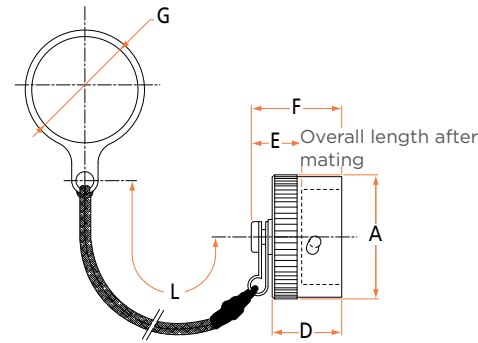
# Protective Covers with Nylon Braid

## FOR RECEPTACLE

ATTACHED TO SQUARE FLANGE RECEPTACLE  
TYPE 00 C



ATTACHED TO JAM-NUT RECEPTACLE  
TYPE 00-07 C



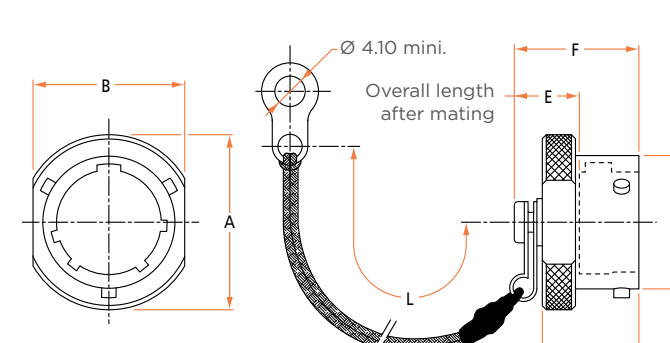
Part-number	A max.	D max.	E max.	F max.	G mini.	L ± 5	Part-number
951-00 C 8	16.60	14.20	10.15	17.85	14.60	130.00	951-00-07 C8
951-00 C 10	19.70	14.20	10.15	17.85	17.70	130.00	951-00-07 C10
951-00 C 12	24.60	14.20	10.15	17.85	22.50	130.00	951-00-07 C12
951-00 C 14	27.80	14.20	10.15	17.85	25.70	130.00	951-00-07 C14
951-00 C 16	30.90	14.20	10.15	17.85	28.90	142.00	951-00-07 C16
951-00 C 18	34.10	14.20	10.15	17.85	32.00	142.00	951-00-07 C18
951-00 C 20	37.30	14.20	10.15	17.85	35.20	142.00	951-00-07 C20
951-00 C 22	40.50	14.20	10.15	17.85	38.40	142.00	951-00-07 C22
951-00 C 24	44.10	15.20	10.30	18.85	41.60	142.00	951-00-07 C24

Millimeters

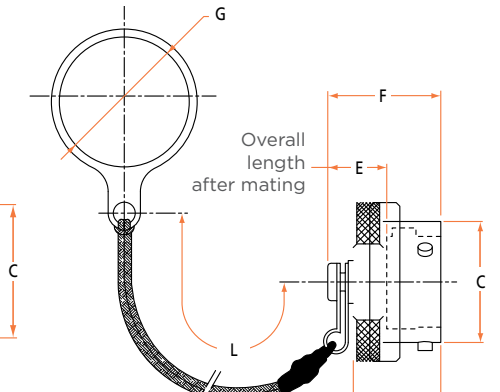


## FOR PLUG

ATTACHED TO ACCESSORY (CABLE CLAMP)  
TYPE 06 C



ATTACHED TO PLUG HOUSING  
TYPE 06-06 C



Part-number	A max.	B max.	C max.	D max.	E max.	F max.	G mini.	L ± 5	Part-number
951-06 C 8	18.30	16.10	12.03	14.40	9.60	18.65	12.45	130.00	951-06-06 C8
951-06 C 10	21.50	18.10	15.01	14.40	9.60	18.65	15.70	130.00	951-06-06 C10
951-06 C 12	25.40	22.10	19.07	14.40	9.60	18.65	18.85	130.00	951-06-06 C12
951-06 C 14	28.60	24.10	22.24	14.40	9.60	18.65	22.10	130.00	951-06-06 C14
951-06 C 16	31.80	27.10	25.42	14.40	9.60	18.65	25.50	142.00	951-06-06 C16
951-06 C 18	34.90	30.10	28.60	14.40	9.60	18.65	27.35	142.00	951-06-06 C18
951-06 C 20	38.10	33.10	31.77	16.00	9.60	20.25	30.40	142.00	951-06-06 C20
951-06 C 22	41.30	36.10	34.94	16.00	9.60	20.25	33.30	142.00	951-06-06 C22
951-06 C 24	44.50	41.10	38.12	16.80	10.45	21.10	36.80	142.00	951-06-06 C24

Millimeters



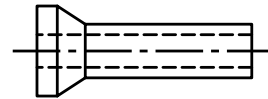
## Contacts

	Active area / Mating size	Part-number	Type	Color bands	Barrel length	Wire range AWG
<b>With cup</b>	20	014-1015-20	P		Standard	18-24
		014-1018-20	S			
<b>Without cup</b>	20	014-0091-20	P		Long	18-24
		014-0092-20	S			
	20*	014-1025-20*	P		Standard	20-24
		014-1026-20*	S			
	16	014-1014-16	P		Standard	14-18
		014-1016-16	S			

Millimeters  
\* Only for arrangements 8-2, 8-3, 8-4

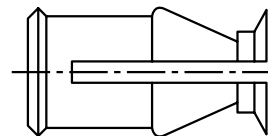
### REDUCING SLEEVE (FOR AWG 20)

Cable	Part-number
Size 26	014-1075-20



### CLIP

Size	Part-number
20	014-1021-20
16	014-1021-16
08	014-1022-08

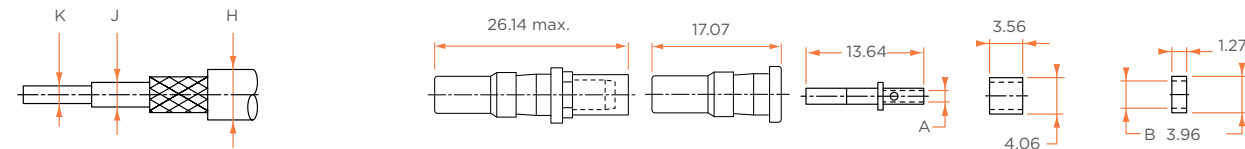


Sealing plug Part No.	Crimp tool		Positioner		Insertion/Extraction tool
	Part-number	MIL Part-number	Part-number	MIL Part-number	
014-1042-20 (red)	057-0461-11	M22520/1-01	057-0462-21	M22520/1-02	057-0484-60/057-0476-60
014-1042-20 (red)	057-0461-11	057-0462-21	057-0462-21	M22520/1-02	057-0484-60/057-0476-60
014-1042-20 (red)	057-0461-11	M22520/1-01	057-0462-21	M22520/1-02	057-0125-00/057-0127-00
	057-0463-12	M22520/2-01	K2	057-0577-32	
006-0893-16 (blue)	057-0462-21	057-0462-21	057-0462-21	M22520/1-02	057-0472-60/057-0475-60

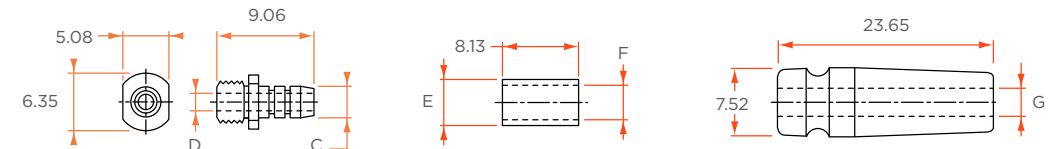




# Coaxial Contacts and Tools



Cable	Coax ref.			Contact	Grommet feedthrough	Insert								
	Part-number	H max.	J max.				K max.	Issue	Type	Part-number	Sub assembly	Inner contact	A mini.	Part-number
RG 161/U														
RG 174/U														
RG 187/U	2.95	1.52	0.76	Standard		P	014-1003-01	0106-021-000	0107-025-000	0.82	105172	0614-1-000	1.83	
RG 188/U						S	014-1002-01	0107-020-000	0004-182-000					
RG 178/U						P	0106-025-000	0106-021-000	0107-025-000					
RG 178 A/U	2.03	0.91	0.76	1		S	0107-030-000	0107-020-000	0004-182-000	0.82	105172	0614-1-000	1.83	
RG 196/U						S	0107-032-000	0107-020-000	0004-182-000					
RG 160/U						P	0106-027-000	0106-021-000	0107-025-000					
RG 180 A/U	3.94	2.62	0.76	3		S	0107-032-000	0107-020-000	0004-182-000	0.82	105172	0614-1-000	2.79	
RG 196/U						S	0107-032-000	0107-020-000	0004-182-000					
KX2	5.20	3.05	0.87	F5		P	DF 41-A678-00	0106-021-000	0107-028-000	1.02	105172	0614-1-0002	3.12	
						S	014-1204-00	0107-020-000	014-1002-01					
RG 58						P	014-1193-00	-	005-0904-00	1.02	-	005-0911-02	3.12	
KX15	5.10	3.05	0.90	F7		S	014-1194-00	-	005-0917-00					
RG 142						S	014-1194-00	-	005-0917-00					



Support	Sleeve		Crimping			Grommet		Tools						
	Part-number ± 0.05 ± 0.02	C	D	Part-number	E ± 0.05	F ± 0.05	Part-number	G mini.	Sleeve		Inner contact		Part-number	Extraction
									Crimp tool	Pilot stop	Crimp tool	Pilot stop		
105173-01	2.36	1.73	5121-3-2601	3.91	3.05	0204-012-000	1.73	M22520/5-01	M22520/5-08	057-0463-12	057-0513-32	DAK 51-8	M 15514-25	
105173-01	2.36	1.73	5121-3-2601	3.91	3.05	0204-012-000	1.73	M22520/5-01	M22520/5-08	057-0463-12	057-0513-32	DAK 51-8	M 15514-25	
105173-04	3.78	2.72	5121-3-2602	5.21	4.47	0204-016-000	2.46	M22520/5-01	M22520/5-41	057-0463-12	057-0513-32	DAK 51-8	M 15514-25	
DF 41 658-00-80-26	4.17	3.12	5121-3-2603	6.05	5.24	0204-016-000	2.46	M22520/5-01	M22520/5-41	057-0463-12	057-0513-32	DAK 51-8	M 15514-25	
014-1007-05	4.17	3.12	014-1198-00	6.12	5.14	-	-	057-0486-15	057-0521-45	057-0463-21	057-0513-32	DAK 51-8	M 15514-25	

# DEUTSCH 951 HERMETIC CONNECTORS

UTE C 93422 - HE301B & MIL-C-26482 series I



## Technical Details

### MECHANICAL

- **Shell:**  
Nickel plated steel, standard temperature range 150° C  
Stainless steel, temperature range 200° C : Consult us  
Tin plated steel, temperature range 150° C : Consult us
- **Insert retention in shell:**  
The glass can withstand 70 bars of pressure differential without loss of mechanical or electrical characteristics
- **Contact:** Gold plated ferrous alloy
- **Life:** 500 cycles of mating and unmating
- **Temperature range:** - 55° C to + 200° C (as applicable)
- **Shock:** No damage during or after 50g - 3 axes
- **Hermeticity:** Leakage less than 2,8 mm<sup>3</sup>/hr, under 1 x 10<sup>-6</sup> torr vacuum

### ELECTRICAL

- **Dielectric withstanding voltage:**  
Service 1: 1500 VRMS 50 Hz  
Service 2: 2300 VRMS 50 Hz
- **Insulation resistance:**  
Greater than 5000 MΩ at 20° C, 65% HR
- **Current rating:** Size 20: 5 A / Size 16: 10 A
- **Accommodated wire size:**  
Size 20: 0.21 to 0.93 mm<sup>2</sup>  
Size 16: 0.60 to 1.91 mm<sup>2</sup>
- **Service Rating:**  
Service 1: 500 VRMS 50 Hz  
Service 2: 750 VRMS 50 Hz
- **Contact millivolt drop:**  
Size 20: 30 mΩ  
Size 16: 14 mΩ
- **Glass insert:**  
Dielectric constant: 6.5 > at 1 MHz 20° C  
Power factor: 0.22 > at 1 MHz 20° C  
Loss factor: 1.43 > at 1 MHz 20° C



## Part Numbering System

Example of order : **951 - 1 H 8 - 3A P N 50 \*\*\***

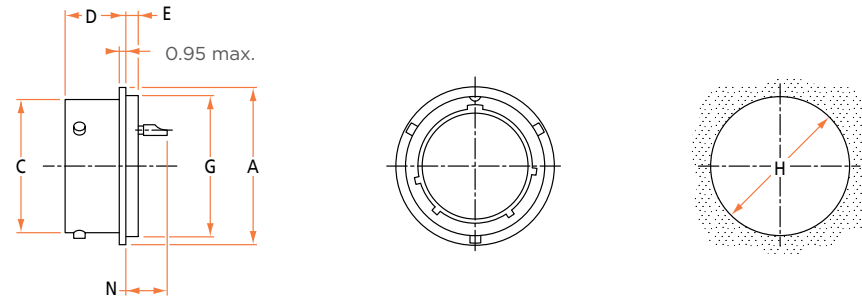
<b>DEUTSCH MANUFACTURER</b>	
<b>TYPE 5</b> Per UTE 93 422 and NFL 54 125 B specification	
<b>SHELL TYPE</b>	
01 Solder type hermetic receptacle	
02 Square flange hermetic receptacle	
07 Jam-nut hermetic receptacle	
B1 Solder type hermetic feedthrough	
B02 Square flange hermetic feedthrough	
B07 Jam-nut hermetic feedthrough	
<b>HERMETIC VERSION</b>	
<b>SHELL SIZE</b>	
<b>ARRANGEMENTS</b> See page 9	
<b>TYPE OF CONTACT</b> P Male contact	
<b>INSERT POSITIONING LETTER</b> Standard position : No letter W - X - Y or Z (see page 8)	
<b>OBLIGATORY SUFFIX</b>	
<b>SPECIAL MODIFICATIONS</b> (Consult us)	
395 Kerosene resisting insert	
034 Stainless steel shell	



# Hermetic Receptacles / 951-H

## SOLDER TYPE HERMETIC RECEPTACLE

TYPE 1H

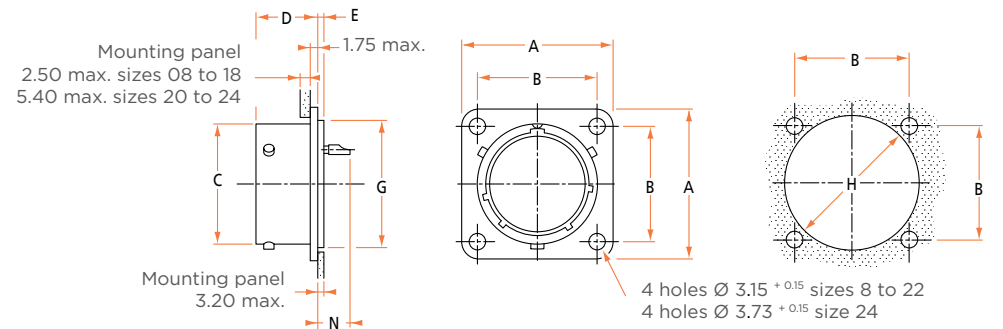


Part-number	A max.	C max.	D ± 0.15	E max.	G max.	H +0 -0.2	N max.
951-1H 08-** P 50	16.00	12.03	11.79	2.60	14.35	14.70	7.95
951-1H 10-** P 50	19.15	15.01	11.79	2.60	17.15	17.50	7.95
951-1H 12-** P 50	21.55	19.07	11.79	2.60	19.90	20.30	7.95
951-1H 14-** P 50	24.75	22.24	11.79	2.60	23.10	23.45	7.95
951-1H 16-** P 50	27.90	25.42	11.79	2.60	26.25	26.65	7.95
951-1H 18-** P 50	31.05	28.60	11.79	2.60	29.45	29.80	7.95
951-1H 20-** P 50	33.45	31.77	13.11	3.35	31.90	32.20	8.20
951-1H 22-** P 50	36.60	34.94	13.11	3.35	35.05	35.35	8.20
951-1H 24-** P 50	39.80	38.12	13.95	3.35	38.10	38.55	7.35

Millimeters

## SQUARE FLANGE HERMETIC RECEPTACLE

TYPE 02H



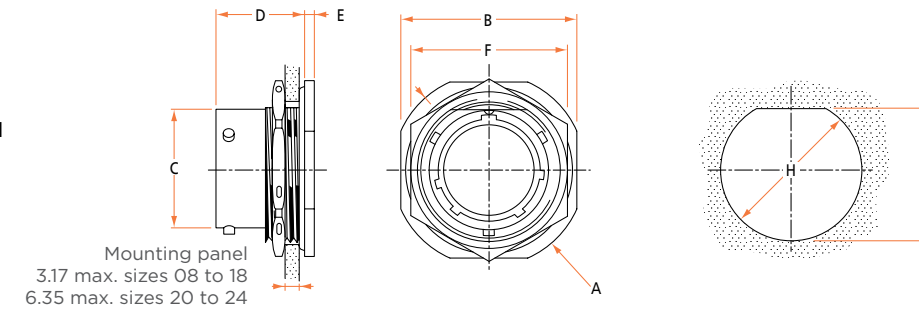
Part-number	A max.	B ± 0.1	C max.	D ± 0.15	E max.	G max.	H +0 -0.2	N max.
951-02H 08-** P 50	21.10	15.08	12.03	12.65	1.45	14.35	15.65	6.80
951-02H 10-** P 50	24.35	18.26	15.01	12.65	1.45	17.15	18.90	6.80
951-02H 12-** P 50	26.70	20.62	19.07	12.65	1.45	19.90	22.25	6.80
951-02H 14-** P 50	29.05	23.02	22.24	12.65	1.45	23.10	25.40	6.80
951-02H 16-** P 50	31.30	24.58	25.42	12.65	1.45	26.25	28.55	6.80
951-02H 18-** P 50	33.70	26.98	28.60	12.65	1.45	29.45	31.75	6.80
951-02H 20-** P 50	36.85	29.36	31.77	14.09	2.25	31.90	34.90	6.90
951-02H 22-** P 50	39.95	31.76	34.94	14.09	2.25	35.05	38.10	6.90
951-02H 24-** P 50	43.15	34.92	38.12	14.93	2.25	38.10	41.30	6.10

Millimeters



## JAM-NUT HERMETIC RECEPTACLE

TYPE 07H

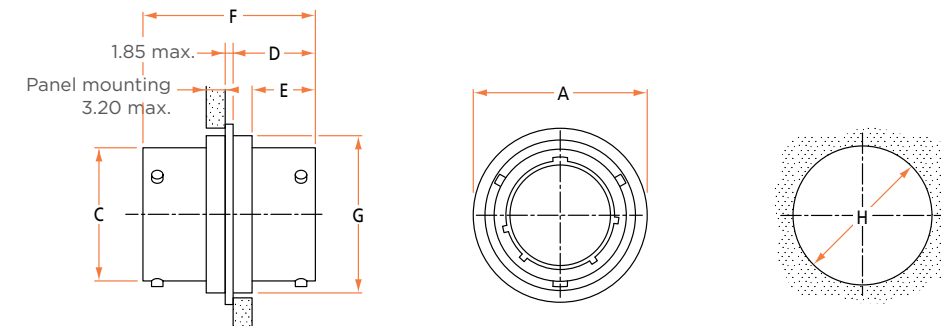


Part-number	A max.	B max.	C max.	D ± 0.15	E max.	F max.	H +0 -0.2	J +0 -0.2
951-07H 08-** P 50	27.10	24.00	12.03	17.81	2.55	19.20	14.70	13.85
951-07H 10-** P 50	30.25	27.25	15.01	17.81	2.55	22.37	17.85	17.05
951-07H 12-** P 50	35.05	31.95	19.07	17.81	2.55	27.12	22.60	21.15
951-07H 14-** P 50	38.20	35.15	22.24	17.81	2.55	30.30	25.80	24.30
951-07H 16-** P 50	41.40	38.30	25.42	17.81	2.55	33.47	28.95	27.45
951-07H 18-** P 50	44.55	41.50	28.60	17.81	2.55	36.67	32.15	30.65
951-07H 20-** P 50	49.30	46.25	31.77	22.58	3.35	39.82	35.30	33.80
951-07H 22-** P 50	52.60	49.45	34.94	22.58	3.35	43.02	38.50	37.00
951-07H 24-** P 50	55.75	52.80	38.12	22.58	3.35	46.17	41.65	40.15

Millimeters

## SOLDER TYPE HERMETIC FEEDTHROUGH

TYPE B1H \*



\* Consult us

Part-number	A max.	C max.	D max.	E ± 0.13	F max.	G ± 0.13	H +0 -0.2
951 B1H 08-3A-PS 50	18.50	12.03	15.26	11.18	31.30	13.54	14.10
951 B1H 10-6 PS 50	21.60	15.01	15.26	11.18	31.30	16.51	17.05
951 B1H 12-10 PS 50	25.65	19.07	15.26	11.18	31.30	20.57	21.10
951 B1H 14-19 PS 50	28.85	22.24	15.26	11.18	31.30	23.75	24.30
951 B1H 16-26 PS 50	32.00	25.42	15.26	11.18	31.30	26.92	27.45
951 B1H 18-32 PS 50	37.55	28.60	15.26	11.18	31.30	32.64	33.20
951 B1H 20-41 PS 50	38.35	31.77	17.39	13.21	35.35	33.27	33.80
951 B1H 22-55 PS 50	41.55	34.94	17.39	13.21	35.35	36.45	37.00
951 B1H 24-61 PS 50	44.70	38.12	17.39	13.21	35.35	39.60	40.15

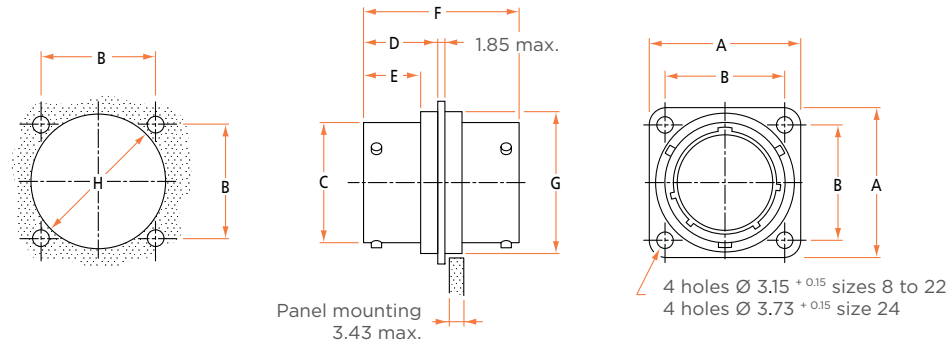
Millimeters



## Feedthrough / 951-H

### SQUARE FLANGE HERMETIC FEEDTHROUGH

TYPE B02H \*



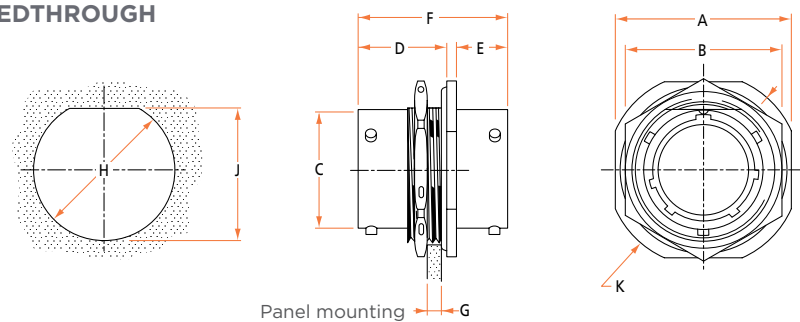
\* Consult us

Part-number	A max.	B ± 0.1	C max.	D max.	E ± 0.13	F max.	G ± 0.13	H +0 -0.2
951 B02H 08-3 A-PS 50	21.10	15.08	12.03	12.65	11.18	31.30	13.54	14.10
951 B02H 10-6 PS 50	24.35	18.26	15.01	12.65	11.18	31.30	16.51	17.05
951 B02H 12-10 PS 50	26.70	20.62	19.07	12.65	11.18	31.30	20.57	21.10
951 B02H 14-19 PS 50	29.05	23.02	22.24	12.65	11.18	31.30	23.75	24.30
951 B02H 16-26 PS 50	31.30	24.58	25.42	12.65	11.18	31.30	26.92	27.45
951 B02H 18-32 PS 50	33.70	26.98	28.60	12.65	11.18	31.30	32.64	33.20
951 B02H 20-41 PS 50	36.85	29.36	31.77	14.09	13.21	35.35	33.27	33.80
951 B02H 22-55 PS 50	39.95	31.76	34.94	14.09	13.21	35.35	36.45	37.00
951 B02H 24-61 PS 50	43.15	34.92	38.12	14.93	13.21	35.35	39.60	40.15

Millimeters

### JAM-NUT HERMETIC FEEDTHROUGH

TYPE B07H



Part-number	A max.	B max.	C max.	D +0.75 -0	E ± 0.4	F max.	G min. max.	H +0 -0.2	J +0 -0.2	K max.
951 B07H 08-3 A PS 50	24.25	19.20	12.03	17.55	10.82	31.55	1.57 3.17	14.70	13.85	27.40
951 B07H 10-6 PS 50	27.40	22.37	15.01	17.55	10.82	31.55	1.57 3.17	17.85	17.05	30.60
951 B07H 12-10 PS 50	32.15	27.12	19.07	17.55	10.82	31.55	1.57 3.17	22.60	21.15	35.35
951 B07H 14-19 PS 50	35.35	30.30	22.24	17.55	10.82	31.55	1.57 3.17	25.80	24.30	38.55
951 B07H 16-26 PS 50	38.50	33.47	25.42	17.55	10.82	31.55	1.57 3.17	28.95	27.45	41.70
951 B07H 18-32 PS 50	41.70	36.67	28.60	17.55	10.82	31.55	1.57 3.17	32.15	30.65	44.90
951 B07H 20-41 PS 50	46.45	39.82	31.77	22.33	12.14	38.40	1.57 6.35	35.30	33.80	50.55
951 B07H 22-55 PS 50	49.65	43.02	34.94	22.33	12.14	38.40	1.57 6.35	38.50	37.00	52.80
951 B07H 24-61 PS 50	52.80	46.17	38.12	22.33	12.98	38.40	1.57 6.35	41.65	40.15	56.00

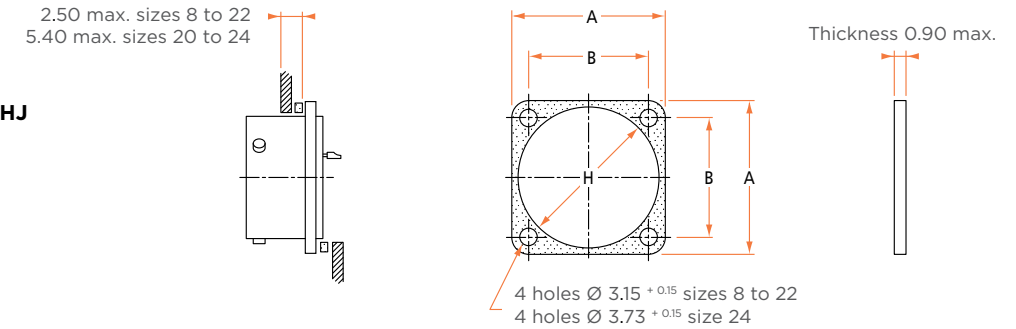
Millimeters



## Panel Seal / 951-H

### PANEL SEAL FOR SQUARE FLANGE HERMETIC RECEPTACLE

TYPE 02HJ



Front flange mounting			Rear flange mounting				
Size	Part-number	H max.	A max.	B ± 0.1	H max.	Part-number	Size
8	108-0003-08	12.50	21.10	15.08	14.90	108-0005-08	8
10	108-0003-10	15.40	24.30	18.26	17.50	108-0005-10	10
12	108-0001-12	19.50	26.70	20.62	20.30	108-0005-12	12
14	108-0001-14	22.70	29.10	23.02	23.50	108-0005-14	14
16	108-0001-16	25.90	31.30	24.58	26.70	108-0005-16	16
18	108-0003-18	29.10	33.70	26.98	29.90	108-0005-18	18
20	108-0003-20	32.30	36.90	29.36	32.30	108-0003-20	20
22	108-0003-22	35.40	40.10	31.76	35.40	108-0003-22	22
24	108-0003-24	38.60	43.30	34.92	38.60	108-0003-24	24

Millimeters

## LET'S CONNECT

We make it easy to connect with our experts and are ready to provide all the support you need. Just call your local support number or visit [www.te.com/industrial](http://www.te.com/industrial) to chat with a Product Information Specialist.

## Technical Support

[te.com/support-center](http://te.com/support-center)

North America	+1 800 522 6752	Asia Pacific	+86 400 820 6015
North America (Toll)	+1 717 986 7777	Japan	044 844 8180
EMEA/South Africa	+800 0440 5100	Australia	+61 2 9554 2695
EMEA (Toll)	+31 73 624 6999	New Zealand	+64 (0) 9 634 4580
India (Toll-Free)	+800 440 5100		

[www.te.com/951-series](http://www.te.com/951-series)

AMP, AGASTAT, CII, HARTMAN, KILOVAC, MICRODOT, NANONICS, POLAMCO, Raychem SEACOM, Rochester, DEUTSCH, TE Connectivity and the TE connectivity (logo) are trademarks of the TE Connectivity Ltd. family of companies. Other products, logos, and company names mentioned herein may be trademarks of their respective owners.

While TE has made every reasonable effort to ensure the accuracy of the information herein, nothing herein constitutes any guarantee that such information is error-free, or any other representation, warranty or guarantee that the information is accurate, correct, reliable or current. The TE entity issuing this publication reserves the right to make any adjustments to the information contained herein at any time without notice. All implied warranties regarding the information contained herein, including, but not limited to, any implied warranties of merchantability or fitness for a particular purpose are expressly disclaimed. The dimensions herein are for reference purposes only and are subject to change without notice. Specifications are subject to change without notice.

Consult TE for the latest dimensions and design specifications.

© 2019 TE Connectivity Ltd. family of companies All Rights Reserved.

2356671-1 09/19 Original