



DUAL BAND DIRECTIONAL PATCH ANTENNA

HIGH GAIN DIRECTIONAL 2.4/5.0 GHZ WIFI ANTENNA

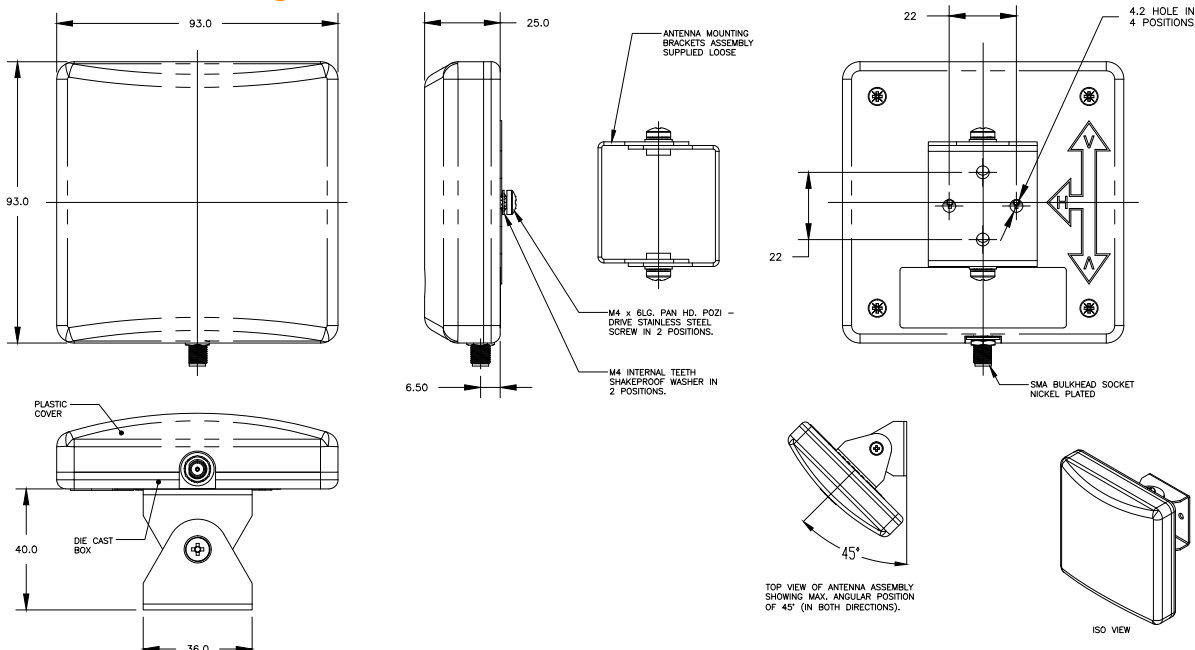
The Dual Band Directional Patch antenna is a directional wall or mast mounted antenna covering 2.4 & 5GHz for WIFI / WLAN applications.

This antenna is ideal for point to point communications or can be used to cover a wide area thanks to its relatively wide beamwidth in the horizontal and vertical planes. Several of these antennas can be used to provide cost effective sectored coverage.

The antenna is supplied with a 90 degree adjustable wall / mast mount angle bracket to give optimal mounting flexibility.

Ideal to infill network coverage black spots or to provide a consistent connection for subscriber terminals the 2321811-1 is a cost effective solution to network coverage issues.

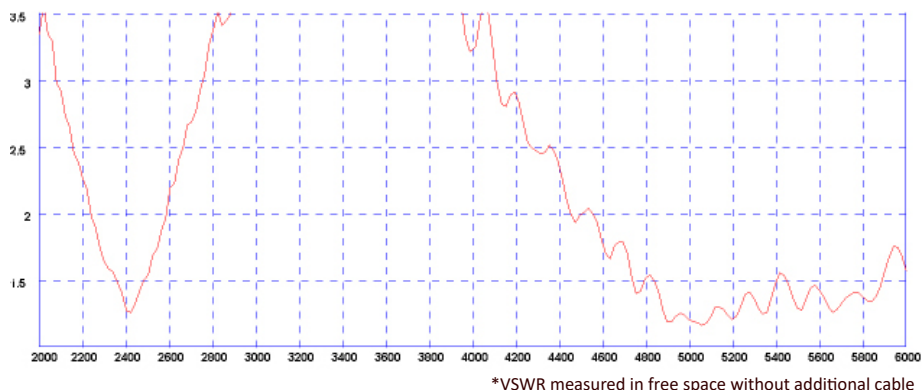
Technical Drawing



DUAL BAND DIRECTIONAL PATCH ANTENNA

HIGH GAIN DIRECTIONAL 2.4/5.0 GHZ WIFI ANTENNA

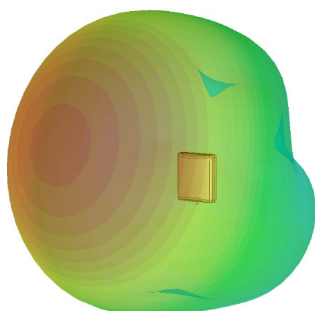
Typical VSWR



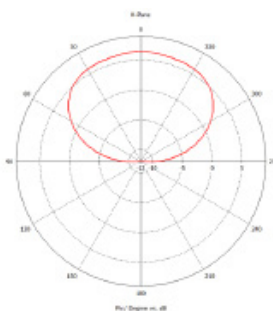
Typical H-Plane (2400MHz)



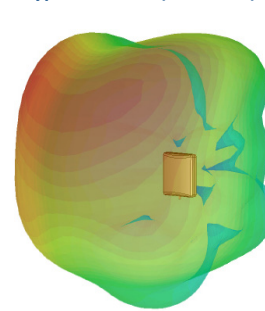
Typical 3D Plot (2400MHz)



Typical H-Plane (5400MHz)



Typical 3D Plot (5400MHz)



Electrical Data		2321811-1
Frequency Range (MHz)		2400-2485 /4900-6000
Operational Band		2.4GHz/5GHz WLAN
VSWR		≤ 2:1
Peak Gain (Isotropic)		9 dBi
Pattern		Directional
3dB beamwidth	Azimuth 2.4GHz	60°
	Azimuth 5.0GHz	90°
Polarisation		Vertical
Impedance		50Ω
Max Input Power (W)		50
Mechanical Data		
Dimensions (mm)	Height	93 (3.66")
	Length	93 (3.66")
	Width	25 (0.98")
Operating Temp (°C)		-30 to +70°C (-22 to 158°F)
Material		Geloy PC/ASA, signal white & die cast aluminium
Others		
Fixing		Wall mount or Mast mount
Wind load		11N at 150km/hr
Radome Flamability		UL94 V0 - Halogen Free
Termination		SMA Socket