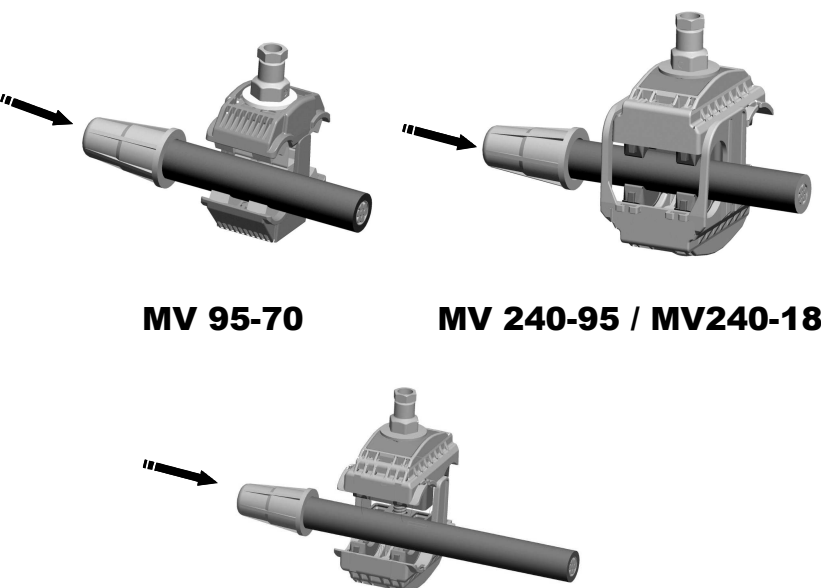
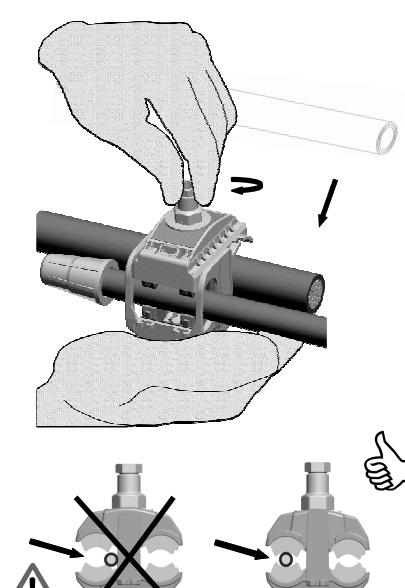
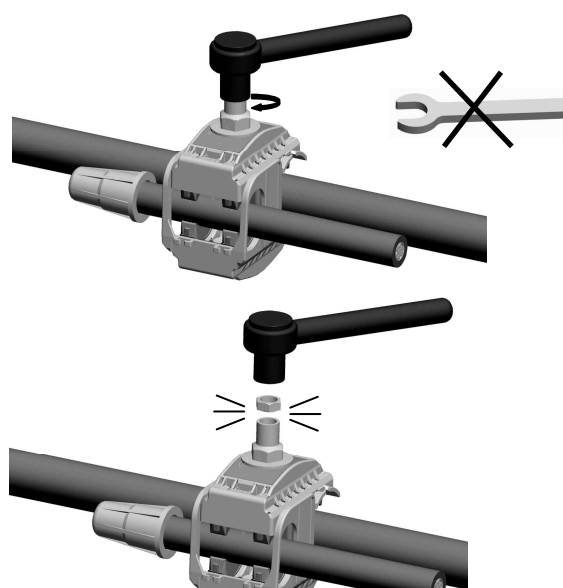


MV95-70 / MV240-95 / MV240-95G / MV240-185

Installation Instructions

安装指导

- Connectors for aluminum or copper 10kV cable (GB 14049-93)
 - 适用于10kV铝或铜架空绝缘电缆 (GB 14049-93)

 <p>MV 95-70 MV 240-95 / MV240-185</p> <p>MV 240-95G</p>		
<p>1</p> <ul style="list-style-type: none"> - Open the cap position to suit the direction of the branch approach; - Insert the branch conductor fully into the cap; 	<p>2</p> <ul style="list-style-type: none"> - Arrange the position of the connector on the main conductor, then tighten the bolt by hand; 	<p>3</p> <ul style="list-style-type: none"> - Finish tightening with either a 13mm or 17mm socket wrench (according to the connector marking) until the shear heads are sheared off.
<ul style="list-style-type: none"> - 根据支线方向调整尾盖的位置; - 将支线完全插入尾盖; 	<ul style="list-style-type: none"> - 调整线夹在主线的位置, 然后手动拧紧扭力螺母; 	<ul style="list-style-type: none"> - 然后用13mm或者17mm (根据连接器的标示) 的内六角套筒扳手将扭力螺母拧断。