

## SMD THERMISTOR 20021086-06

### Specifications

- 10,000 Ohms Resistance @ +25°C
- Tape and Reel packaging for automatic placement
- 1% tolerance @ +25°C
- Temperature range -40°C to +150°C

### Features

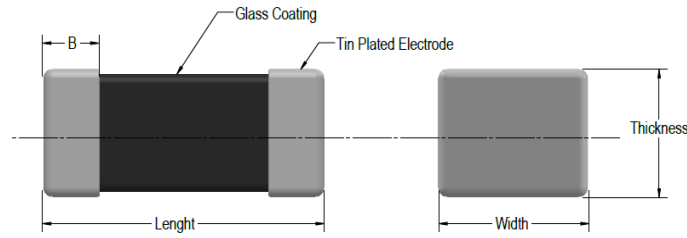
- Glass coated for excellent durability and heat resistance
- Excellent solderability with five surface Tin plated electrodes
- Tape & Reel packaging for automatic placement
- Low cost
- RoHS Compliant

### Applications

- Temperature sensing, control and detection
- Temperature compensation of transistors, IC's and crystal oscillators in mobile telecommunication equipment.
- Consumer electronics
- Automotive electronics
- LCD controls

[CLICK HERE >](#)  
**CONNECT WITH A SPECIALIST**

**Dimensions**



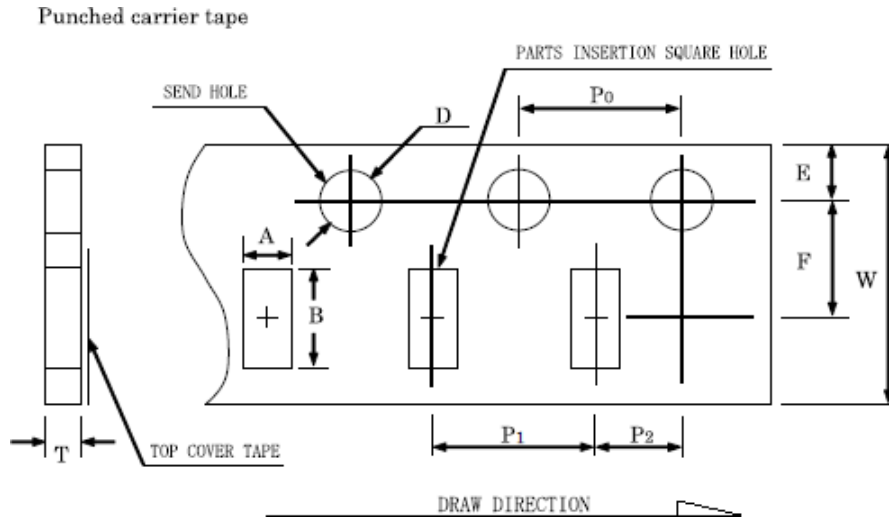
Length	Width	Thickness	B
1.0±0.2	0.5±0.1	0.5±0.1	0.25 ±0.1

**Product specifications**

Parameters	Units	Value
Nominal Resistance at +25°C	Ohms	10,000
Tolerance at +25°C	%	± 1
Beta Value 25/85	K	3890
Tolerance on Beta Value 25/85	%	± 1
Max. rated wattage in still air	mW	24
Dissipation Constant in still air	mW/°C	2.4
Operating Temperature	°C	-40 to +150

**Tape dimensions**

Type of taping	Carrier tape	Top cover tape	Bottom cover tape
Taping of rectangular punched carrier system	Paper	Thermal adhesion plastics	Thermal adhesion paper



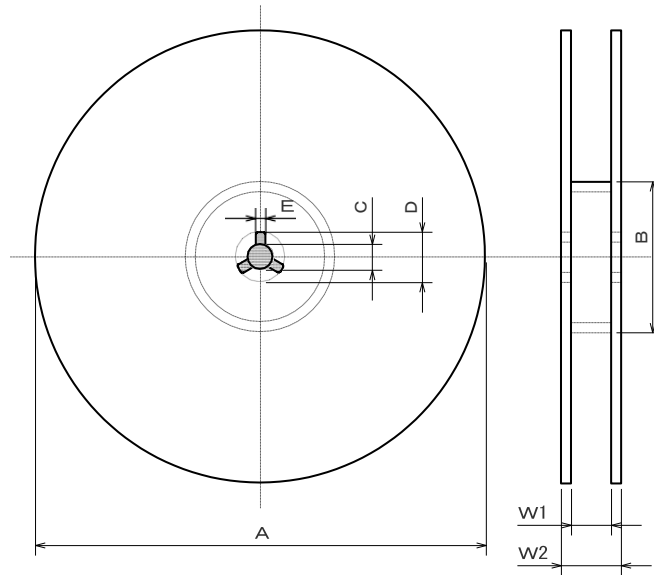
A	B	W	E	F
0.7±0.05	1.2±0.1	8.00±0.20	1.75±0.10	3.50±0.05

P1	P2	P0	D	T
2.00±0.05	2.00±0.05	4.00±0.10	1.50±0.10	0.60±0.04

**Notes:**

1. Dimensions in mm
2. Pitch tolerance over any 10 pitches of P0 is ±0.2mm.

Reel dimensions



A	B	C	D	E	W1	W2
Ø 180±2.0	Ø > 60	Ø13±0.5	Ø21±0.8	2±0.5	10.0±1.5	14.0±1.5

**Notes:**

1. All dimensions are in mm
2. Material: Polystyrene

Resistance v temperature table

Temp °C	K Ohms
-40	409.2
-39	380.5
-38	354
-37	329.5
-36	307
-35	286.1
-34	266.8
-33	249
-32	232.5
-31	217.2
-30	203
-29	189.9
-28	177.7
-27	166.4
-26	155.9
-25	146.1
-24	137
-23	128.5
-22	120.7
-21	113.3
-20	106.5
-19	100.1
-18	94.18
-17	88.63
-16	83.45
-15	78.6
-14	74.07
-13	69.84
-12	65.87
-11	62.16
-10	58.69
-9	55.43
-8	52.38
-7	49.51
-6	46.82
-5	44.3
-4	41.93
-3	39.7
-2	37.61
-1	35.64
0	33.79
1	32.04
2	30.4
3	28.86
4	27.4
5	26.02
6	24.73
7	23.5

Temp °C	K Ohms
8	22.35
9	21.26
10	20.23
11	19.26
12	18.34
13	17.47
14	16.64
15	15.86
16	15.13
17	14.43
18	13.77
19	13.14
20	12.55
21	11.98
22	11.45
23	10.94
24	10.46
<b>25</b>	<b>10</b>
26	9.566
27	9.154
28	8.763
29	8.391
30	8.037
31	7.701
32	7.381
33	7.076
34	6.786
35	6.51
36	6.247
37	5.996
38	5.757
39	5.529
40	5.311
41	5.104
42	4.906
43	4.717
44	4.536
45	4.364
46	4.199
47	4.042
48	3.891
49	3.747
50	3.609
51	3.478
52	3.352
53	3.231
54	3.115
55	3.004

Temp °C	K Ohms
56	2.898
57	2.797
58	2.699
59	2.606
60	2.516
61	2.43
62	2.347
63	2.268
64	2.192
65	2.119
66	2.049
67	1.981
68	1.917
69	1.854
70	1.795
71	1.737
72	1.682
73	1.628
74	1.577
75	1.528
76	1.48
77	1.435
78	1.391
79	1.348
80	1.307
81	1.268
82	1.23
83	1.193
84	1.158
85	1.124
86	1.091
87	1.059
88	1.029
89	0.9994
90	0.971
91	0.9434
92	0.9169
93	0.8912
94	0.8664
95	0.8424
96	0.8192
97	0.7968
98	0.7751
99	0.7541
100	0.7338
101	0.7142
102	0.6952
103	0.6768

Temp °C	K Ohms
104	0.659
105	0.6417
106	0.6251
107	0.6089
108	0.5932
109	0.578
110	0.5633
111	0.5491
112	0.5353
113	0.5219
114	0.5089
115	0.4963
116	0.4841
117	0.4722
118	0.4607
119	0.4496
120	0.4388
121	0.4283
122	0.4181
123	0.4081
124	0.3985
125	0.3892
126	0.3801
127	0.3713
128	0.3627
129	0.3544
130	0.3463
131	0.3385
132	0.3308
133	0.3234
134	0.3162
135	0.3091
136	0.3023
137	0.2956
138	0.2892
139	0.2829
140	0.2768
141	0.2708
142	0.265
143	0.2593
144	0.2538
145	0.2485
146	0.2433
147	0.2382
148	0.2332
149	0.2284
150	0.2237

## Ordering information

Part Number	Description	$\Omega$ @ +25°C	MOQ*
20021086-06	0402 SMD Thermistor – Taped & Reeled	10,000	10,000

\*For orders less than MOQ, please contact Sales

[CLICK HERE >](#)  
**CONNECT WITH A SPECIALIST**

### NORTH AMERICA

Measurement Specialties, Inc., a  
TE Connectivity Company 1711  
139th Lane NW Andover, MN  
55304  
Tel: +1 763 689 4870  
Fax: +1 763 689 5033  
customer care.ando@te.com

### EUROPE

Measurement Specialties (Europe),  
Ltd., a TE Connectivity Company  
Ballybrit Business  
ParkGalway Ireland  
Tel : +353-91-753238  
Fax : +353-91-770789  
Email: customer care.glwy@te.com

### ASIA

Measurement Specialties (China), Ltd., a TE  
Connectivity Company  
No. 368 Wulian 1st Road  
Gongxing Town Shuangliu,  
Chengdu Sichuan, 610200  
China  
Tel: +86 (0) 28 8573 9088  
Fax: +86 (0) 28 8573 9070  
Email: customer care.chdu@te.com

## [te.com/sensors](http://te.com/sensors)

TE Connectivity, TE, TE Connectivity (logo) and Every Connection Counts are trademarks. All other logos, products and/or company names referred to herein might be trademarks of their respective owners

The information given herein, including drawings, illustrations and schematics which are intended for illustration purposes only, is believed to be reliable. However, TE Connectivity makes no warranties as to its accuracy or completeness and disclaims any liability in connection with its use. TE Connectivity's obligations shall only be as set forth in TE Connectivity's Standard Terms and Conditions of Sale for this product and in no case will TE Connectivity be liable for any incidental, indirect or consequential damages arising out of the sale, resale, use or misuse of the product. Users of TE Connectivity products should make their own evaluation to determine the suitability of each such product for the specific application.

© 2021 TE Connectivity Corporation. All Rights Reserved.

Version # 08/2021

