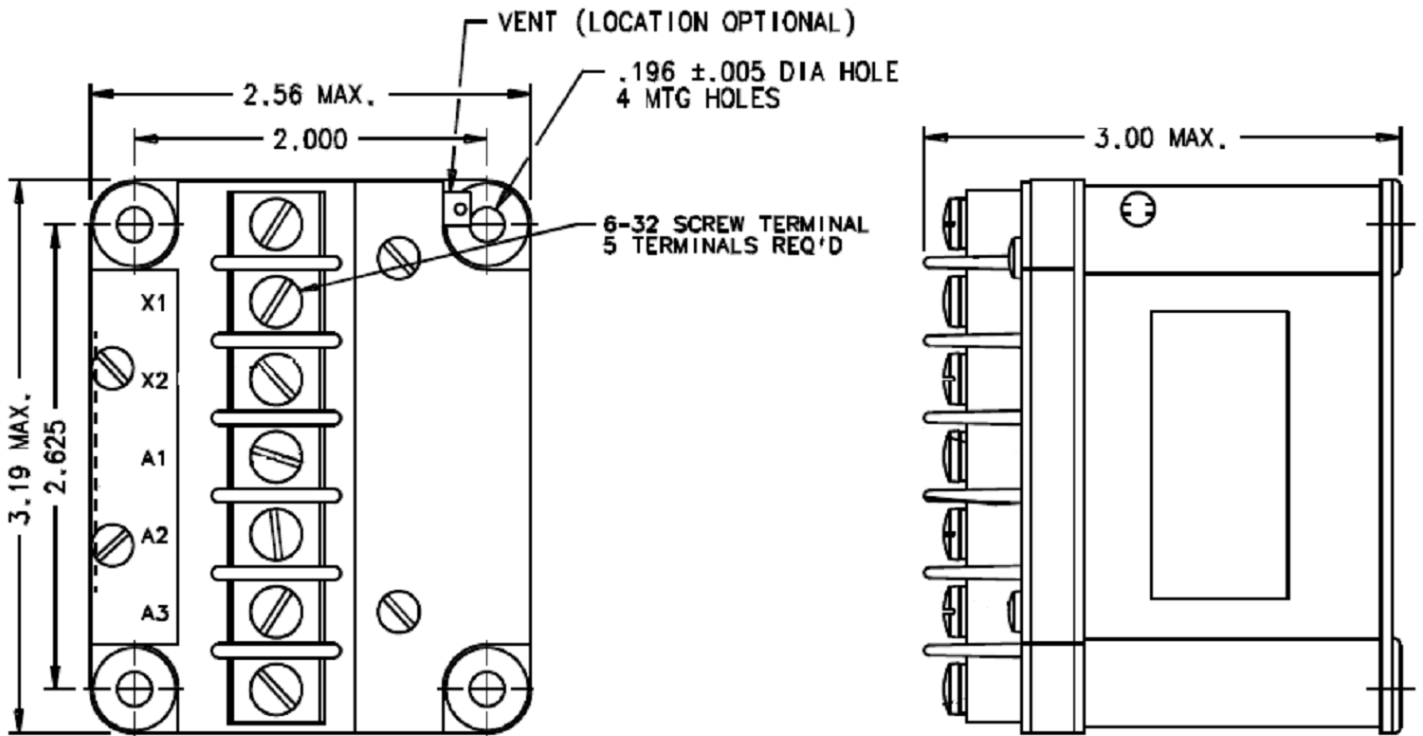


REVISIONS

REV.	ECO	DESCRIPTION	DATE	APPROVED
E	06-006913	REDRAWN, ITEM 3 WAS 20502-001	06MAR2006	CB

E-308P
UNDER VOLTAGE-SENSOR



ALL DIMENSIONS ARE IN INCHES



TE CONNECTIVITY
175 N, DIAMOND STREET MANSFIELD,
OHIO 44902

TITLE

UNDER VOLTAGE-SENSOR

TE P.N.

1616126-5

DWG NO.

E-308P

DS DATA SHEET

CAGE CODE
74063

SCALE
NONE

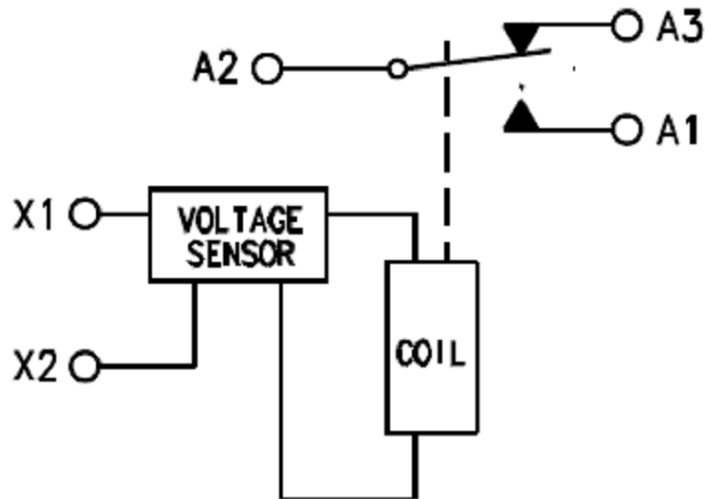
SHEET
1 OF 2

REV
E

GENERAL SPECIFICATION

<p>CONSTRUCTION</p> <p>OPERATING VOLTAGE</p> <p>CONTINUOUS DUTY</p> <p>PICKUP VOLTAGE</p> <p>DROPOUT VOLTAGE</p> <p>CONTACT RATING</p>	<p>DUST PROOF GASKET SEALED</p> <p>120 V 400 HZ</p> <p>97±3 VAC</p> <p>85±3 VAC T.D. 40±10 MS ON DROP-OUT</p> <p>3 AMP RESISTANCE AT 28 VDC</p> <p>2 AMP INDUCTIVE AT 28 VDC</p> <p>1 AMP LAMP</p>
<p>ENVIRONMENTAL</p> <p>TEMP OPERATING</p> <p>VIBRATION</p> <p>10g CONTANT</p> <p>ACCELERATION</p>	<p>-55°C TO +71°C</p> <p>.060 DA 5 TO 55 HZ</p> <p>55 - 2,000 HZ</p>
<p>MAX. WEIGHT</p> <p>W/D No. 32667</p>	<p>10 OZ.</p>

SCHEMATIC



TE CONNECTIVITY
175 N. DIAMOND STREET MANSFIELD,
OHIO 44902

TITLE

UNDER VOLTAGE-SENSOR

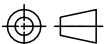
TE P.N.

1616126-5

DWG NO.

E-308P

THIRD ANGLE PROJECTION



THIS DRAWING PREPARED
IN ACCORDANCE WITH
ANSI/ASMEY14.5M-1982

CAGE CODE

74063

SCALE

NONE

SHEET

2 OF 2

REV

E