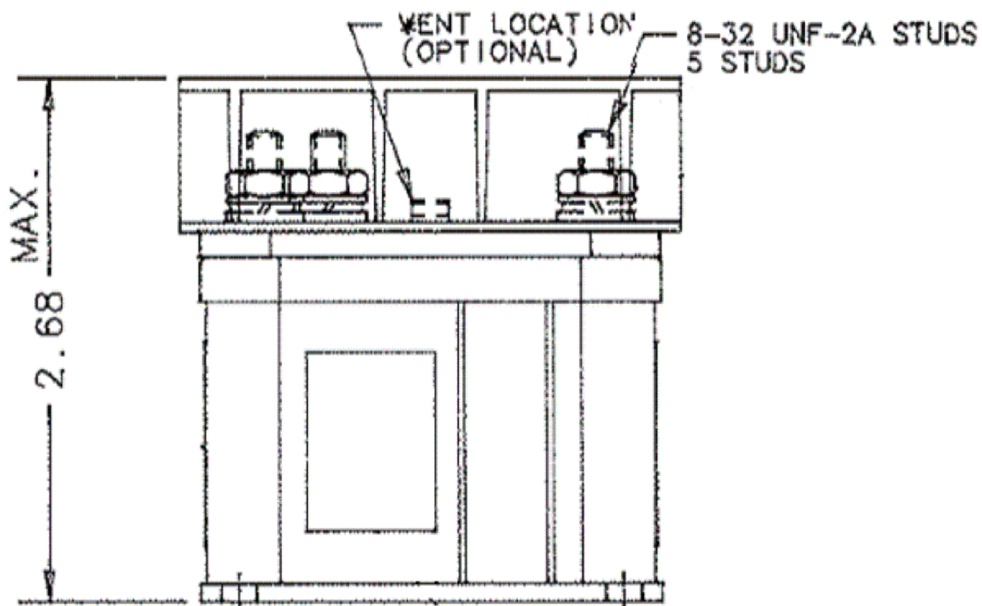
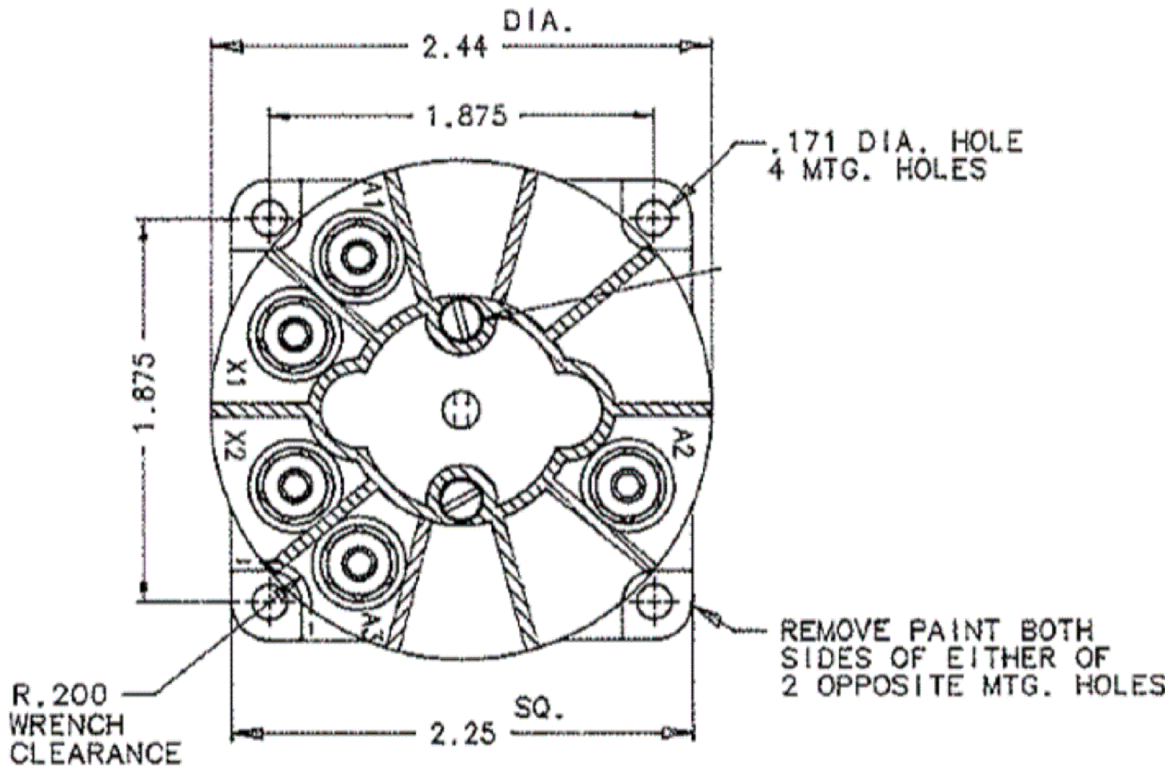


DR-7TD
 CONTACTOR-SPDT SIDESTABLE
 25AMP, 115VOLTS, 400Hz.

REVISIONS

REV.	ECO	DESCRIPTION	DATE	APPROVED
E	33694	FIND NO. 8 WAS 51205-491, FIND NO. 14 39529-032 REMOVED	17SEP1997	RSS



ALL DIMENSIONS ARE IN INCHES



TE CONNECTIVITY
 175 N. DIAMOND STREET MANSFIELD,
 OHIO 44902

TITLE

CONTACTOR-SPDT SIDESTABLE
 25AMP, 115VOLTS, 400Hz.

TE P.N.

1616090-1

DWG NO.

DR-7TD

DS

DATA SHEET

CAGE CODE
 74063

SCALE
 NONE

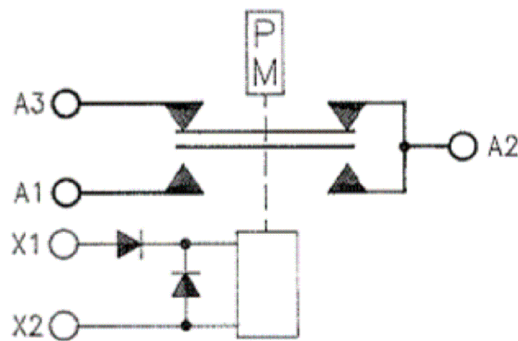
SHEET
 1 OF 2

REV
 A

GENERAL SPECIFICATION

CONSTRUCTION	GASKET SEALED (VENTED)
MAIN CONTACTS	
CONFIGURATION	SPDT SIDESTABLE (DOUBLE BREAK)
VOLTAGE	115 VAC, 400 HZ
CURRENT (RESISTIVE)	25 AMPERES
INTERRUPTING CAPABILITY	250 AMPERES MAX.
COIL DATA	
DUTY CYCLE	CONTINUOUS
COIL RATING	115 VAC, 400 HZ.
PICKUP VOLTAGE	90 VOLTS MAX. HOT
DROPOUT VOLTAGE	5 TO 40 VOLTS
COIL CURRENT	.28 AMPERE MAX. AT 115 VOLTS AND 25°C
ENVIRONMENTAL DATA	
AMBIENT TEMP.	-55°C TO +71°C
ALTITUDE	50,000 FEET MAX
LIFE ELECTRICAL	50,000 CYCLES MIN.
LIFE MECHANICAL	100,000 CYCLES
SHOCK	150 G's MAX., 6-9 MILLISECONDS
WEIGHT MAX.	.78 LB.

SCHEMATIC



TE CONNECTIVITY
175 N. DIAMOND STREET MANSFIELD,
OHIO 44902

TITLE

CONTACTOR-SPDT SIDESTABLE
25AMP, 115VOLTS, 400Hz.

TE P.N.

1616090-1

DWG NO.

DR-7TD

DS

DATA SHEET

CAGE CODE
74063

SCALE
NONE

SHEET
2 OF 2

REV
A