

LIGHT-N-LOK CONNECTORS

TOOL-LESS SOLUTIONS

TE Connectivity's (TE) LIGHT-N-LOK Connectors are tool-less wire-to-wire connectors suitable for ballast disconnect and other lighting applications. Compact design and easy field installation are two of the main benefits of the LIGHT-N-LOK connectors. A poke-in contact feature enables fast and easy installation and the compact design of these connectors make them a perfect solution for space constrained applications. The LIGHT-N-LOK connector series features a standard version accepting 22 AWG - 18 AWG (0.33 mm² - 0.75mm²) wire sizes and a modular latched version accepting 22 AWG - 16 AWG (0.33 mm² - 1.0mm²) wire sizes.

WHAT'S INSIDE



**LIGHT-N-LOK
2 Position Modular
Latched Connector**

Page 4-5



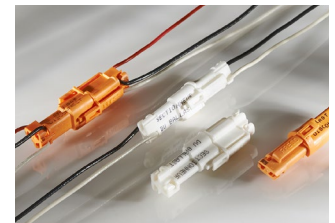
**LIGHT-N-LOK
3 Position Modular
Latched Connector**

Page 6-7



**LIGHT-N-LOK
Standard
Connectors**

Page 8-9



**LIGHT-N-LOK
Connectors
Hot Pluggable**

Page 10-11

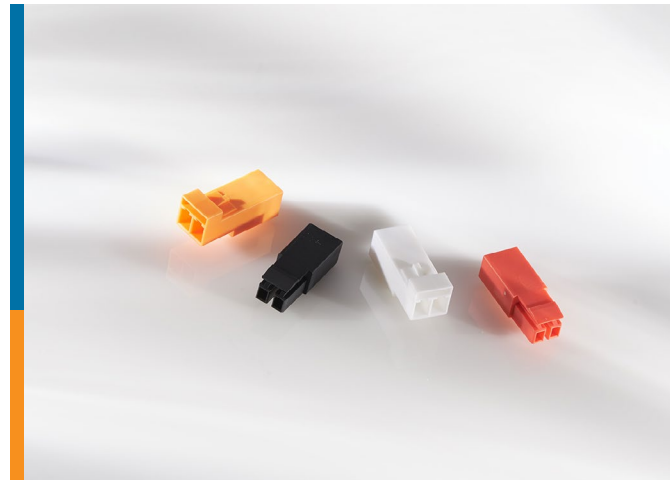


INDOOR LIGHTING

LIGHT-N-LOK 2 POSITION MODULAR LATCHED CONNECTOR

Compact Connector with Modular Technology

TE Connectivity (TE)'s 2 Position LIGHT-N-LOK Modular Latched connector utilizes poke-in termination which supports easy field installation as no tools are required. The compact design makes this connector ideal for applications where space is a constraint. Suitable for indoor lighting applications, this connector comes in four different colors and one modular design enabling ease of identification and assembly.



Applications

- Indoor lighting

Electrical

- Current rating:
 - 16 AWG: UL2459 @ 600V 5A; UL1977 @ 600V - 8A
 - 18 AWG: UL2459 @ 600V 5A; UL1977 @ 600V - 8A
 - 22 AWG: UL2459 @ 600V 3A; UL1977 @ 600V - 3A
- Voltage rating: 600 VAC Max.
- Dielectric strength: 2200 VAC

Mechanical

- Operating Temperature: -40°C to +105°C
- Durability: 10 cycles

Specifications

- Application Specification: [114-137159](#)
- Product Specification: [108-137159](#)
- UL1977 Approval E28476
- UL2459 Approval E308110
- Multi-pole Splicing Wire Connectors
- Multi-pole Splicing Wire Connectors Certified for Canada

Materials

- Housing: PA, UL94 V-0
- Contact: Copper Alloy with Tin plating

Benefits

- Modular Technology enables flexibility in design
- Tool free, easy and fast installation with poke-in contact feature
- Compact size design for space saving
- Color configurations enables easy identification





Colors

- Black
- Orange
- Red
- White

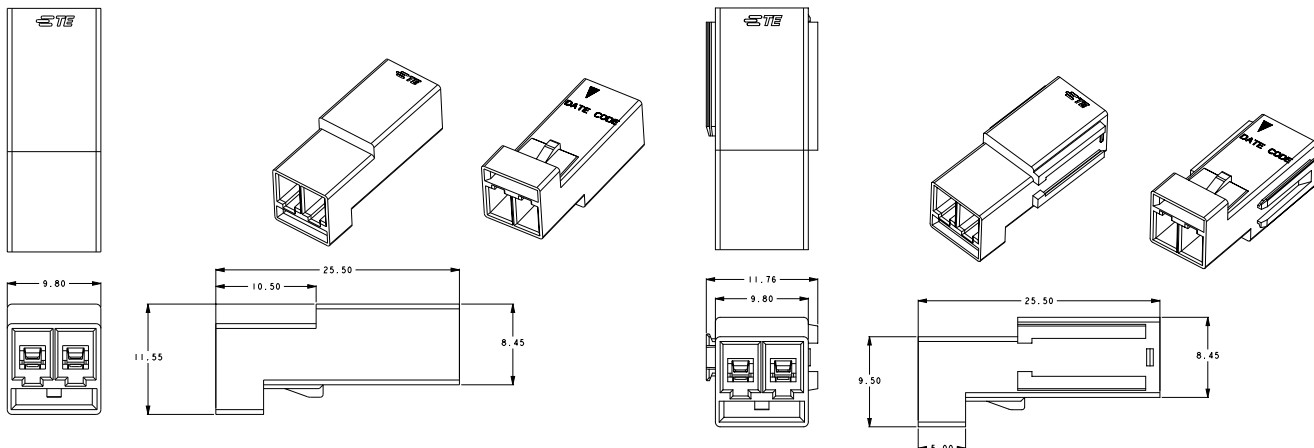
LIGHT-N-LOK 2 POSITION MODULAR LATCHED CONNECTOR

Product Selection Information

Type	Description	Color	Part Number	
	Plug	2 Position Latched Poke-In Wire-to-Wire Connector	Natural	2834048-1
	Receptacle	2 Position Latched Poke-In Wire-to-Wire Connector	Natural	2834049-1
	Plug	2 Position Latched Poke-In Wire-to-Wire Connector	Black	2834048-2
	Receptacle	2 Position Latched Poke-In Wire-to-Wire Connector	Black	2834049-2
	Plug	2 Position Latched Poke-In Wire-to-Wire Connector	Orange	2834048-3
	Receptacle	2 Position Latched Poke-In Wire-to-Wire Connector	Orange	2834049-3
	Plug	2 Position Latched Poke-In Wire-to-Wire Connector	Red	2834048-4
	Receptacle	2 Position Latched Poke-In Wire-to-Wire Connector	Red	2834049-4

Type	Description	Color	Part Number	
	Modular Receptacle	2 Position Latched Poke-In Wire-to-Wire Connector	Natural	1-2834049-1
	Modular Receptacle	2 Position Latched Poke-In Wire-to-Wire Connector	Black	1-2834049-2
	Modular Receptacle	2 Position Latched Poke-In Wire-to-Wire Connector	Orange	1-2834049-3
	Modular Receptacle	2 Position Latched Poke-In Wire-to-Wire Connector	Red	1-2834049-4

Dimensions



LIGHT-N-LOK 3 POSITION MODULAR LATCHED CONNECTOR

Compact Connector with Modular Technology

TE Connectivity (TE)'s 3 Position LIGHT-N-LOK Modular Latched connector utilizes poke-in termination which supports easy field installation as no tools are required. The compact design makes this connector ideal for applications where space is a constraint. Suitable for indoor lighting applications, this connector comes in four different colors enabling ease of identification and assembly.



Applications

- Indoor lighting

Electrical

- Current rating:
 - 16 AWG: UL2459 @ 600V 5A; UL1977 @ 600V - 8A
 - 18AWG: UL2459 @ 600V 5A; UL1977 @ 600V - 8A
 - 22AWG: UL2459 @ 600V 3A; UL1977 @ 600V - 3A
- Voltage rating: 600 VAC Max.
- Dielectric strength: 2200 VAC

Mechanical

- Operating Temperature: -40°C to +105°C
- Durability: 10 cycles

Specifications

- Application Specification: [114-137160](#)
- Product Specification: [108-137160](#)
- UL1977 Approval E28476
- UL2459 Approval E308110
- Multi-pole Splicing Wire Connectors
- Multi-pole Splicing Wire Connectors Certified for Canada

Materials

- Housing: PA, UL 94 V-0
- Contact: Copper Alloy with Tin plating

Benefits






- Modular Technology enables flexibility in design
- Tool free, easy and fast installation with poke-in contact feature
- Compact size design for space saving
- Color configurations enables easy identification
- Ground PIN with make-first break-last (MFBL)
- Support for hot plug (UL2459) abnormal overload test





Colors

- Black
- Orange
- Red
- Natural

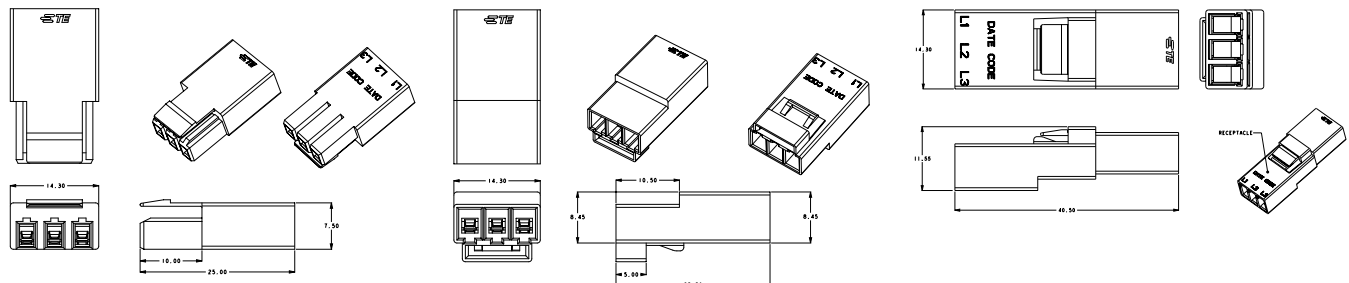
LIGHT-N-LOK 3 POSITION MODULAR LATCHED CONNECTOR

Product Selection Information

Type	Description	Color	Part Number	
	Plug	3 Position Latched Poke-In Wire-to-Wire Connector	Natural	2834054-1
	Receptacle	3 Position Latched Poke-In Wire-to-Wire Connector	Natural	2834055-1
	Plug	3 Position Latched Poke-In Wire-to-Wire Connector	Black	2834054-2
	Receptacle	3 Position Latched Poke-In Wire-to-Wire Connector	Black	2834055-2
	Plug	3 Position Latched Poke-In Wire-to-Wire Connector	Orange	2834054-3
	Receptacle	3 Position Latched Poke-In Wire-to-Wire Connector	Orange	2834055-3
	Plug	3 Position Latched Poke-In Wire-to-Wire Connector	Red	2834054-4
	Receptacle	3 Position Latched Poke-In Wire-to-Wire Connector	Red	2834055-4

Type	Description	Color	Part Number	
	Modular Receptacle	3 Position Latched Poke-In Wire-to-Wire Connector	Natural	1-2834055-1
	Modular Receptacle	3 Position Latched Poke-In Wire-to-Wire Connector	Black	1-2834055-2
	Modular Receptacle	3 Position Latched Poke-In Wire-to-Wire Connector	Orange	1-2834055-3
	Modular Receptacle	2 Position Latched Poke-In Wire-to-Wire Connector	Red	1-2834055-4

Dimensions



LIGHT-N-LOK STANDARD CONNECTORS

Compact Connector with Reliable Poke-in Wiring Technology

TE Connectivity (TE)'s 2 position LIGHT-N-LOK Standard connector provides a space-saving solution for indoor downlighting, connecting power to luminaire. Designed with limited space in mind, the low profile, UL/CSA 2459 compliant connector eliminates the hazard of electric shock and accepts 18 AWG - 22 AWG solid or tin-dipped stranded wires. It is designed for easy, tool-free installation and eliminates mis-mating through its bump feature.

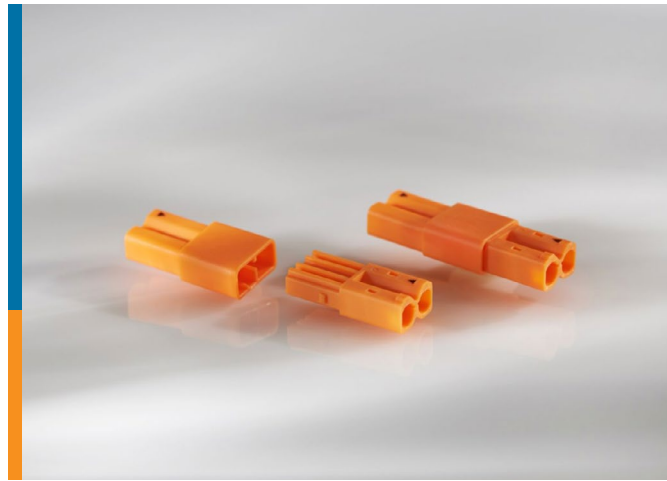
The poke-in technology allows for easy repair and is supported by dual contact surfaces and a metal stopper for reliability. Contacts are fully fixed in the housing and feature an additional lock bar for added dependability.

Applications

- Indoor lighting, especially downlights
- Commercial lighting

Specifications & Product Performance

Rate current (max):	18 AWG:	3A Max 3A certified by UL2459
	22 AWG:	4A Max
Rate voltage (max):		600 V AC Max
Dielectric strength:		2200 V AC
Operating Ambient Temperature Range:		-40°C to 105°C
Durability:		10 cycles
Housing:		P, UL 94 V-O
Contact:		Copper alloy with tin plating
Application Specification:		114-137020
Product Specification:		108-137020
UL2459 Approval:		308110
Part Numbers:	Plug:	2271180-1
	Receptacle:	2271183-1
	Mated Connector:	2271203-1

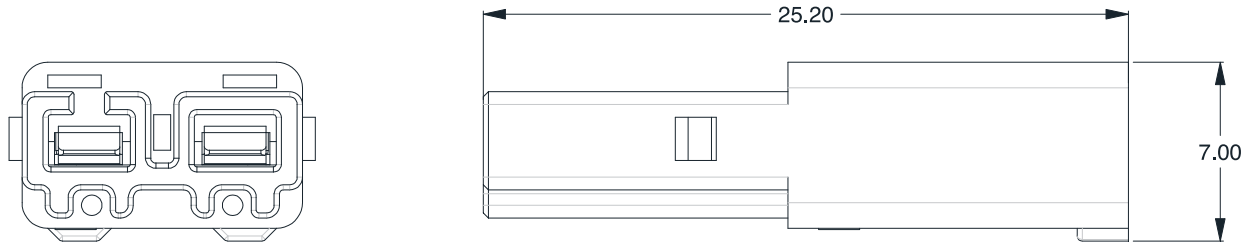


Benefits

- 2 position, poke-in wiring
- Compact design
- Tool-free installation
- Fits 18-22 AWG solid or tin-dipped stranded wires
- UL/CSA 2459 compliant
- EU RoHS/ELV compliant
- Bump feature allows for easy mating/unmating
- Slim design for maximum Z direction space saving
- Dual contact surface design increases contact reliability
- Contacts are fully fixed in housing for high reliability
- A dditional lock bar designed for enhanced retention

Dimensions

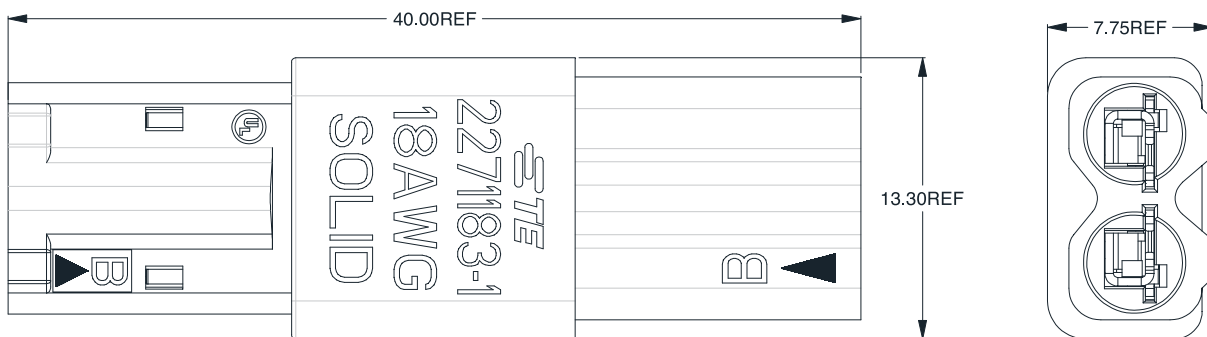
Plug (2271180-1) :



Receptacle (2271183-1) :



Mated Connector (2271203-1) :



LIGHT-N-LOK CONNECTORS

Hot Pluggable

TE connectivity's (TE) 2 and 3 position LIGHT-N-LOK hot pluggable connectors are poke-in wire-to-wire connectors. These provide a safe, pluggable disconnect for hot and neutral ballast wiring that meets the National Electrical Code and Canadian Electrical Code requirements for new installations and retrofit non-residential fluorescent luminaire applications. The mated pair connector assembly accepts 18 AWG solid wire only with integral wire strain relief features that provide additional wire retention. Unmated and unmarked connectors are available for non NEC or CEC lighting applications.

Applications

- Commercial lighting applications for UL2459
- Hot pluggable interconnect for fluorescent ballast applications
- Indoor non-residential fluorescent fixtures
- Fluorescent LED retrofit fixtures
- Indoor LED lighting fixtures

Electrical

- **Contact Current Rating:** 5A max
- **Operating Voltage:** 120 to 600 VAC
- **Operating Temperature:** -40°C to 95°C

Mechanical

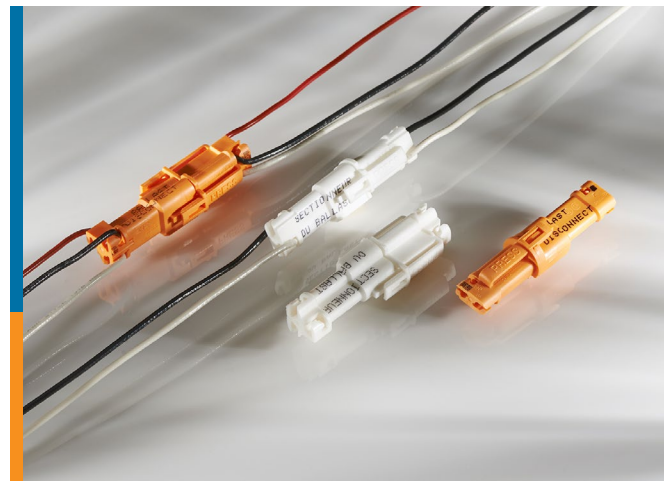
- **Wire Retention:** Strain relief retention exceeds 25 pounds (11,3 kg)

Specifications

- UL listed under ZMNA, E308110
- CSA certified under LR7189, Class 6233-01
- **Product Specification:** [108-2275](#)
- **Application Specification:** [114-13204](#) (2 position)
[114-13207](#) (3 position)
- **Instruction Sheet:** [408-10153](#) (2 position)
(3 Position)

Materials

- **Contacts:** Tin plated copper alloy
- **Housing:** Thermoplastic UL 94V-0
- **RoHS Compliant**



Benefits

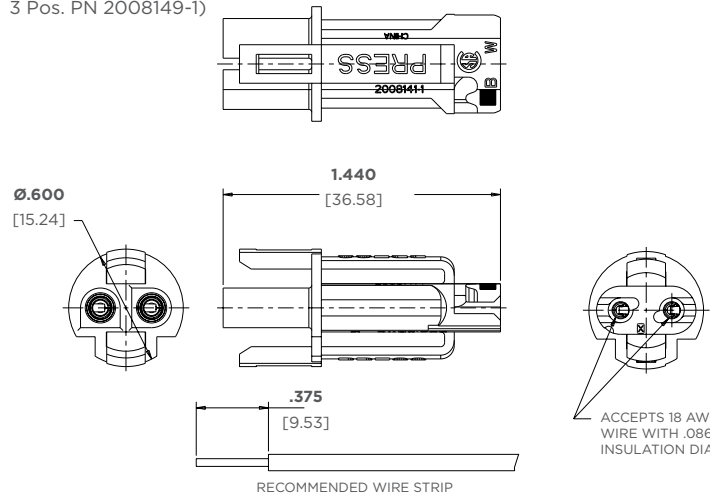
- Available in 2 and 3 position sizes (required for dimmable lighting fixtures)
- Can be supplied as pre-assembled mated connector sets with or without factory installed flying leads
- Meets new NEC and CEC requirements for hot pluggable ballast disconnect
- Poke-in termination for 18 AWG (0.75 mm²) solid wire for easy tool-less, field or factory installation
- Integral strain relief prevents inadvertent wire twist out and pull out
- Designed to be hot pluggable
- Snag resistant rounded housings
- Compact polarized connector housings: 2 position assembly fits through a 5/8" diameter knock-out opening; 3 position assembly fits through 7/8" diameter knock-out opening
- Squeeze-to-release connector latches prevent unintentional disconnect of connector
- Product is marked (English/French) in support of CSA Luminaire Labeling Requirements

Product Selection Information

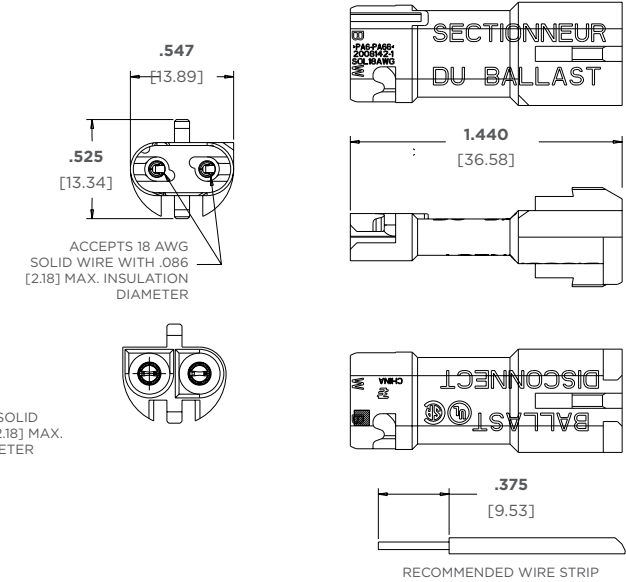
Part Number	Description	Color
2008144-1	2 Position Mated Pair Assembly	Natural
2008910-1	2 Position Mated Pair Assembly	Orange
2008141-1	2 Position Plug Assembly	Natural
2008141-2	2 Position Plug Assembly-Unmarked	Natural
2008142-1	2 Position Receptacle Assembly	Natural
2008142-2	2 Position Receptacle Assembly-Unmarked	Natural
2008152-1	3 Position Mated Pair Assembly	Natural
2008152-2	3 Position Mated Pair Assembly	Orange
2008149-1	3 Position Plug Assembly	Natural
2008149-4	3 Position Plug Assembly-Unmarked	Natural
2008150-1	3 Position Receptacle Assembly	Natural
2008150-4	3 Position Receptacle Assembly Unmarked	Natural

Dimensions

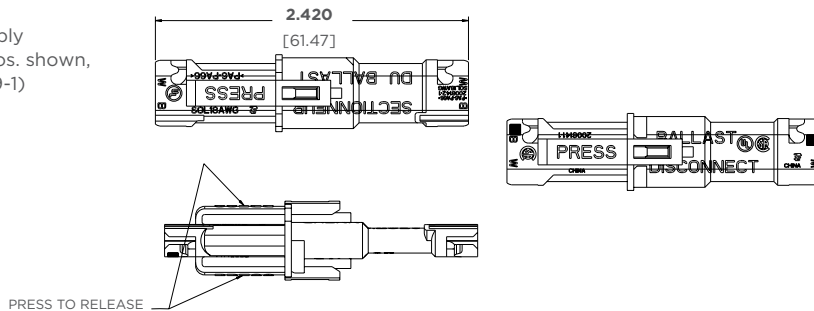
Plug Assembly
 PN 2008141-1 (2 Pos. shown,
 3 Pos. PN 2008149-1)



Receptacle Assembly
 PN 2008142-1 (2 Pos. shown, 3 Pos. PN 2008150-1)



Mated Pair Assembly
 PN 2008141-1 (2 Pos. shown,
 3 Pos. PN 2008149-1)



te.com

© 2017 TE Connectivity. All Rights Reserved. LIGHT-N-LOK, TE, TE Connectivity, and the TE connectivity (logo) are trademarks of the TE Connectivity Ltd. family of companies. Other logos, product and Company names mentioned herein may be trademarks of their respective owners.

While TE has made every reasonable effort to ensure the accuracy of the information in this brochure, TE does not guarantee that it is error-free, nor does TE make any other representation, warranty or guarantee that the information is accurate, correct, reliable or current. TE reserves the right to make any adjustments to the information contained herein at any time without notice. TE expressly disclaims all implied warranties regarding the information contained herein, including, but not limited to, any implied warranties of merchantability or fitness for a particular purpose. The dimensions in this catalog are for reference purposes only and are subject to change without notice. Specifications are subject to change without notice. Consult TE for the latest dimensions and design specifications.

1-1773925-1 07/2019 JN

USA: +1 (800) 522-6752
Canada: +1 (905) 475-6222
Mexico: +52 (0) 55-1106-0800
Latin/S. America: +54 (0) 11-4733-2200
Germany: +49 (0) 6251-133-1999
UK: +44 (0) 800-267666
France: +33 (0) 1-3420-8686
The Netherlands: +31 (0) 73-6246-999
China: +86 (0) 400-820-6015