

REFLOW CAPABLE UNIVERSAL MATE-N-LOK CONNECTORS

Designed for customers who intend to streamline manufacturing processes with simple reflow soldering of PCB assemblies.

The reflow capable universal MATE-N-LOK product line builds on a tested solution for wire-to-board applications. The thermoplastic housing is designed to withstand high temperatures associated with reflow soldering. This allows for easy transition to a full reflow assembly process.

Headers are designed with polarization features and a low contact mating force, allowing for easy mating. The standard .250" centerline allows for mating with TE's existing universal MATE-N-LOK wire-to-board connectors.

Applications

- Appliances
- HVAC Equipment
- Industrial Machinery
- Power Supplies
- Security Systems
- Elevator/Escalator

Electrical

- 12 A / 600 VAC
- 5000 VAC dielectric withstanding voltage

Mechanical

- 0.250" [6.35 mm] centerline
- Operating temp -40°C to +105°C

Specifications

- Product Specifications: [108-1053](#)
- Application Specifications: 114-133093
- UL Certificate Number: 20170407-E28476
- UL Report Reference Number: E28476-19760715

Materials

- High temperature thermoplastic (UL 94 V-0) black, white
- Copper alloy, tin plated



Benefits

- High temperature, reflow capable housing allows for transition to reflow PCB assembly
- Polarization and positive locking for error resistant assembly
- Pin and socket style contacts available
- Low contact mating force

Color

- Black
- Blue (upon request)
- Red (upon request)
- White

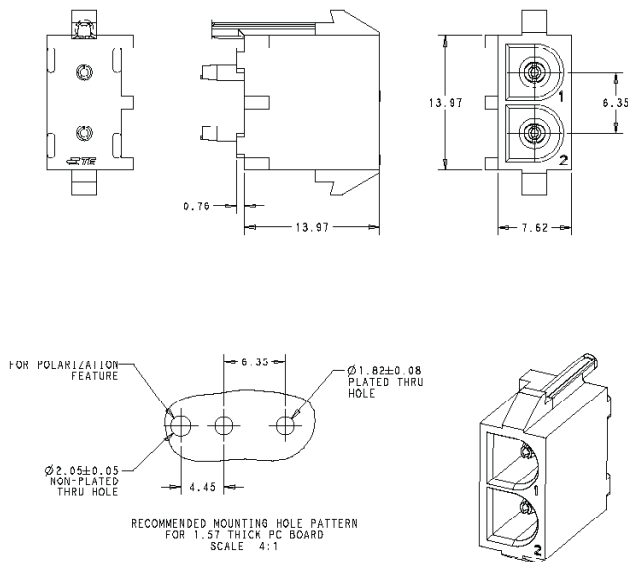
Product Selection Information

Part Number	Contact Type	Row Configuration	Number of Positions	Color	Mating Plug PN	Contact PN
1-2213752-1	Pin	1x2, vertical	2	Black	350777-1	350874-3
2213753-2	Socket	1x3, vertical	3	White	350766-1	350873-3
1-2213752-3	Pin	1x4, vertical	4	Black	350779-1	350874-3
2213753-4	Socket	1x5, vertical	5	White	350809-1	350873-3
2213752-5	Pin	1x6, vertical	6	White	640581-1	350874-3
2213756-1	Socket	3x2, vertical	6	White	350715-1	350873-3
2213755-2	Pin	3x3, vertical	9	White	350720-1	350874-3
1-2213755-3	Pin	3x4, vertical	12	Black	350735-1	350874-3
2213756-4	Socket	3x5, vertical	15	White	350736-1	350873-3

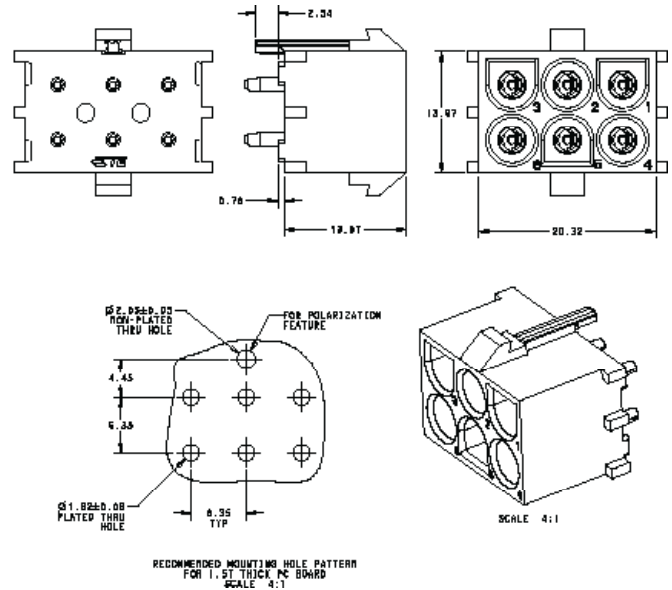
All positions are available in both pin and socket contacts and black/white color. Red and blue colors are available upon request.

Dimensions

Single Row Header 2213752-1



Triple Row Header 2213756-1



te.com

© 2017 TE Connectivity Ltd. Family of Companies. All Rights Reserved. MATE-N-LOK, TE, TE Connectivity, and the TE connectivity (logo) are trademarks of the TE Connectivity Ltd. family of companies. Other logos, product and Company names mentioned herein may be trademarks of their respective owners.

While TE has made every reasonable effort to ensure the accuracy of the information in this brochure, TE does not guarantee that it is error-free, nor does TE make any other representation, warranty or guarantee that the information is accurate, correct, reliable or current. TE reserves the right to make any adjustments to the information contained herein at any time without notice. TE expressly disclaims all implied warranties regarding the information contained herein, including, but not limited to, any implied warranties of merchantability or fitness for a particular purpose. The dimensions in this catalog are for reference purposes only and are subject to change without notice. Specifications are subject to change without notice. Consult TE for the latest dimensions and design specifications.

1-1773921-6 JN 05/2017

USA: +1 (800) 522-6752
 Canada: +1 (905) 475-6222
 Mexico: +52 (0) 55-1106-0800
 Latin/S. America: +54 (0) 11-4733-2200
 Germany: +49 (0) 6251-133-1999
 UK: +44 (0) 800-267666
 France: +33 (0) 1-3420-8686
 The Netherlands: +31 (0) 73-6246-999
 China: +86 (0) 400-820-6015