



NGC CONNECTOR SERIES

4, 6, 12 & 28 POLES SIGNAL CONNECTOR

Technical Characteristics

Electrical

- Insulation Resistance : > 5000 M Ω
- Crimp Contact : 0.5 to 2.5 mm² (AWG20 to AWG13)
- Cable Capacities :
 - EN 50264-2-1 & EN 50264-3-1 (type 0.6/1 kV) : up to 1.5 mm²
 - EN 50306-2 cat. M : 0.5 to 2.5 mm²
- Grommet Capacity : \varnothing 1.15 to 2.85 mm
- Service Voltage :
 - 220 V AC/DC according to NF F 61-030
 - 500 V AC/DC according to EN 50124-1/A2 (OV3-PD2)
- Withstanding voltage :
 - 2550 V according NF F 61-030
 - 3500 V according to EN 50124-1/A2 (OV3-PD2)
- Nominal Current : up to 20 A
- According to NF F 61-030

Environmental

- Service Temperature : -40°C +100°C (-40°F +212°F)
- Salt Spray : > 250 hours
- Protection Index : IP 66 mated according to EN 60529
- Fluid Resistance : gas oil, mineral oil, acid, base and cutting fluid

Material

- Contact : Gold or silver plated brass
- Housing : Fiber glass reinforced polyamide
- Grommet and seal : Silicone
- Fire & Smoke :
 - EN 45545-2 : HL3 (R22 & R23)
 - Requirement 2 according to NF F 16-101 & NF F 16-102
 - UL94V0

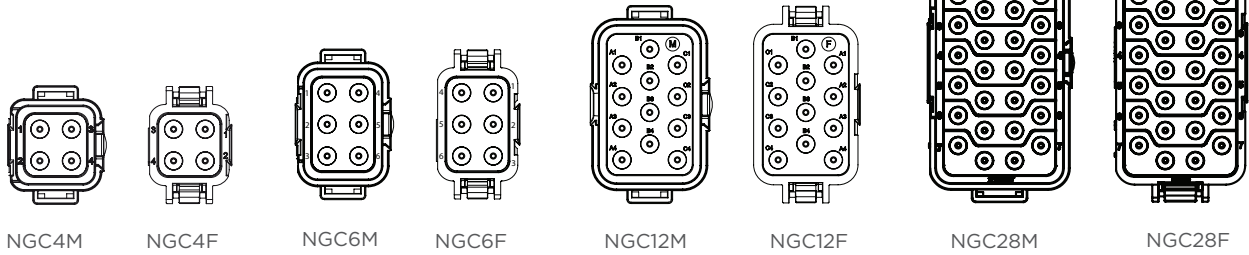
Mechanical

- Durability : 500 mating cycles
- Vibration & Shocks resistance : EN 61373 (Category 1B)

Wiring Implementation Instructions

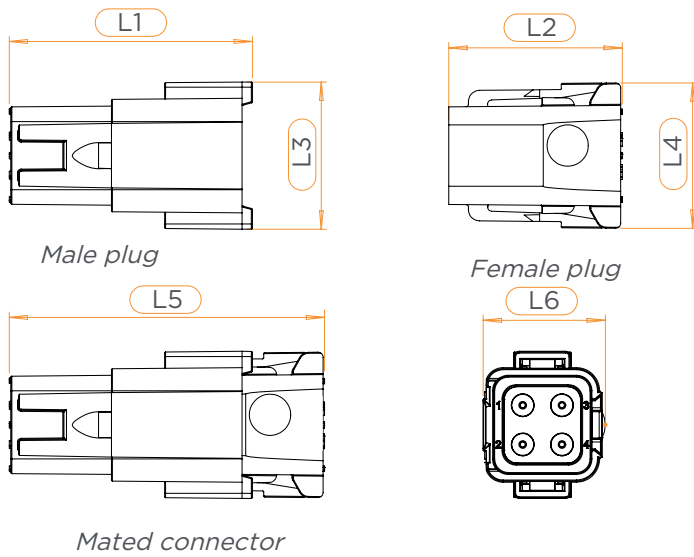
See FT10029

Arrangements & Part numbers



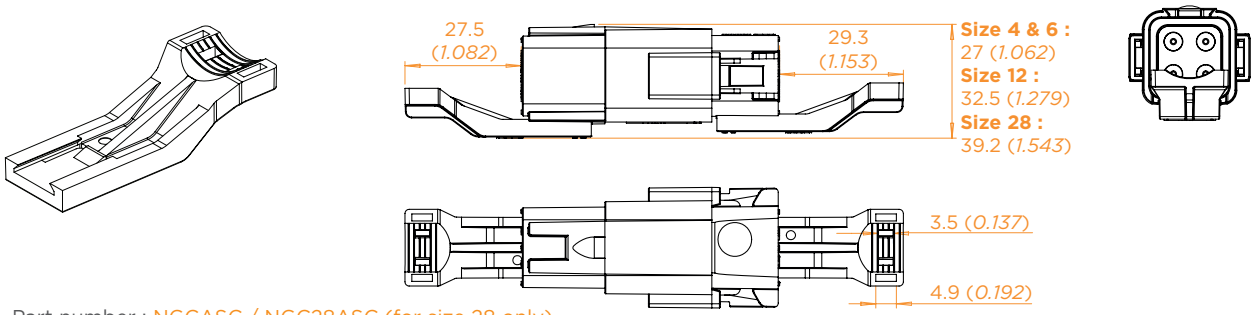
M : Male F : Female

Dimensions



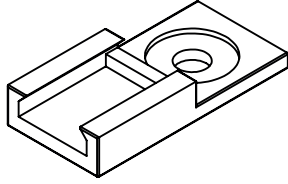
Size	Dimensions (mm)						Weight (± 5% g) (without contacts)	
	L1	L2	L3	L4	L5	L6	Male receptacle	Female plug
4	46.8 (1.842)	33.3 (1.311)	28.5 (1.122)	28.2 (1.110)	61 (2.401)	23.7 (0.933)	17	14,9
6			36.2 (1.425)	35.9 (1.413)			29.3 (1.153)	23
12			47.6 (1.874)	47.3 (1.862)		38,5		36,8
28			49.8 (1.960)	36.3 (1.429)		70.4 (2.771)	70.4 (2.771)	66.5 (2.618)

Accessory : Strain Relief (mm/inch)

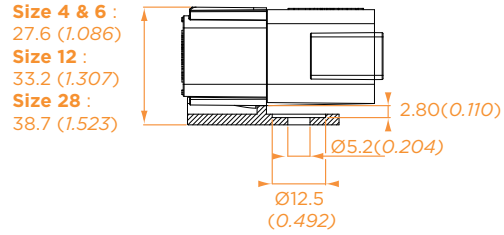


Cables tightening with a plastic collar

Accessory for Male Plug only : (mm/inch)

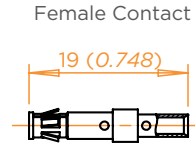
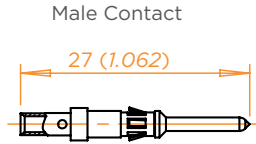


Part Number : **NGCAFP**



Maximum head height of the panel fastener (rivet or screw) : 2.6 mm

Contacts



Caliber	Plating	Cable Size	Part Number MALE	Crimping Tool	Locator	Insertion Tool	Extration Tool
Ø1.6 mm	Ag	0.5 to 1.82 mm ² (AWG 20 to 15)	SRCS205589-A00	OUT0405-0167ASO (FT8)	OUTS208448	OUT0405-0337AS	OUTEXT-0321
	Au		SRCS205589-A01				
	Ag	1.34 to 2.61 mm ² (AWG 15 to 13)	SRCS209432-A00				
	Au		SRCS209432-A01				

Caliber	Plating	Cable Size	Part Number FEMALE	Crimping Tool	Locator	Insertion Tool	Extration Tool
Ø1.6 mm	Ag	0.5 to 1.82 mm ² (AWG 20 to 15)	SRCS202416-A00	OUT0405-0167ASO (FT8)	OUT0405-0176AS (TP1012)	OUT0405-0337AS	OUTEXT-0321
	Au		SRCS202416-A01				
	Ag	1.34 to 2.61 mm ² (AWG 15 to 13)	SRCS202420-A00				
	Au		SRCS202420-A01				

Ag : Silver plated - Au : Gold plated

te.com/rail

TE Connectivity, TE Connectivity (logo), Every Connection Counts are trademarks. All other logos, products and/or company names referred to herein might be trademarks of their respective owners.

While TE has made every reasonable effort to ensure the accuracy of the information in this brochure, TE does not guarantee that it is error-free, nor does TE make any other representation, warranty or guarantee that the information is accurate, correct, reliable or current. TE reserves the right to make any adjustments to the information contained herein at any time without notice. TE expressly disclaims all implied warranties regarding the information contained herein, including, but not limited to, any implied warranties of merchantability or fitness for a particular purpose. The dimensions in this catalog are for reference purposes only and are subject to change without notice. Specifications are subject to change without notice. Consult TE for the latest dimensions and design specifications.

© 2018 TE Connectivity Ltd. family of companies All Rights Reserved.
1-1773910-1 CC 0318