

DEUTSCH

369 SERIES PANEL-MOUNT CONNECTORS

COMPACT, LIGHTWEIGHT CONNECTORS WITH INTEGRATED LATCHES FOR QUICK, EASY INSTALLATION IN PANELS WITHOUT ADDITIONAL FASTENERS

DEUTSCH 369 SERIES PANEL-MOUNT CONNECTORS

High-Reliability, Lightweight, Compact Connectors

EASY TO INSTALL

- Integrated panel latches for mounting
- No fasteners required
- Simple push-in mounting
- One panel hole only

VERSATILE

- Replaceable gaskets accommodate various panel thicknesses and help prevent rattling
- Easily removed for maintenance

SPACE SAVING

- Compact design
- Tight mounting pitch of multiple connectors
- No additional space required for fasteners

WEIGHT SAVING

- Composite shells
- No additional fasteners required

RUGGED

- Low smoke, toxicity and flammability
- Excellent temperature, vibration and fluids resistance
- Triple barrier wire seals
- Cork-in-bottle interface seal

CONVENIENT

- Compatible with existing 369 Series connectors
- Uses standard 369 wire strain-relief backshell
- Uses AS39029 Size 22 contacts

RELIABLE

- Positive button latching mechanism with audible click
- 100% scoop proof to minimize contact damage and allow blindmating



Fast, Easy Panel Mounting

DEUTSCH 369 Series panel-mount connectors from TE Connectivity (TE), an extension to the existing 369 series product line, allow easy, fast mounting to an LRU (line-replaceable unit) panel, bracket, chassis, or frame. The integrated panel latches simply clip into a rectangular cut-out and require no additional fasteners or fixings. The latches also allow later removal from the panel. Suitable for multiple panel thicknesses, the connectors feature an anti-rattle panel gasket.

The connectors' rectangular shape permits space-efficient stacking, and remain fully compatible with standard 369 series connectors.

A button-latching mechanism secures the mated connectors.

Sealed and Safe

The electrical interfaces are fully sealed using cork-in-bottle and triple wire seal technology for use in areas with high levels of moisture. High-performance composite materials help meet the low smoke, toxicity and flammability requirements of the aerospace industry.

Ideal for Cabin Applications

369 series connectors are particularly suitable for commercial aerospace cabin applications, such as:

- Lighting
- Seat wiring and actuation
- Passenger service units
- IFE (in-flight entertainment)
- Electronic window shutters
- Galley

TE Components . . . TE Technology . . . TE Know-how . . .

AMP | Agastat | CII | Hartman | Kilovac | Microdot | Nanonics | Polamco | Raychem | Rochester | DEUTSCH SEACON Phoenix | L.L. Rowe | Phoenix Optix | AFP | SEACON

Get your product to market faster with a smarter, better solution.



MATERIALS

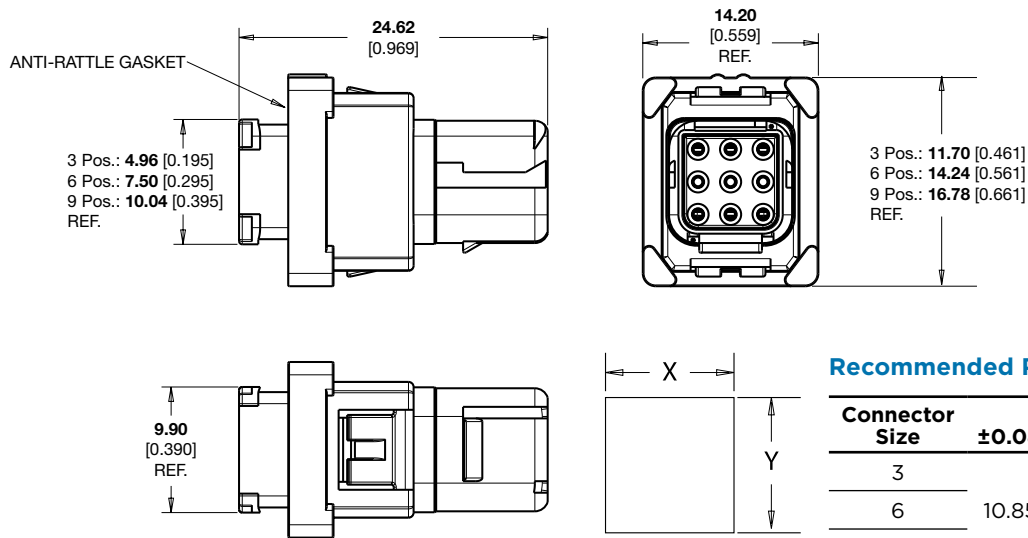
- **Seals and Panel Gasket:** Fluorosilicone
- **Body and Insert:** PEI
- **Contacts:** Copper alloy, gold plated

ELECTRICAL

- **Insulation Resistance:** ≥5000 MΩ
- **Dielectric Withstand:** 1500 V_{rms}, <2mA leakage
- **Operating Current:** 5 A

MECHANICAL/ENVIRONMENTAL

- **Temperature Range:** -55°C to +175°C
- **IP Rating:** IP67
- **Sealing:** 12.1 kPa (1.75 psi) @ 15 km (50,000 ft)
- **Vibration:** EN2591-403, Method B, Level E, 8 hr/axis
- **Shock:** EN2591-402, Method A, Severity 100
- **Durability:** 500 mating cycles min.
- **Fluid Resistance:** EN2591-315
- **Flammability, Smoke, Toxicity:** FAR 25.853 Appendix F



Recommended Panel Cutout

Connector Size	X ±0.08 (0.003)	Y ±0.03 (0.001)
3		8.95 (0.352)
6	10.85 (0.420)	11.49 (0.452)
9		14.03 (0.552)

D369-Family	A	3	3-	N	P	1
Panel Thickness, mm (Inch)	A 1.27 (0.050) B 1.60 (0.063) C 2.03 (0.080)	Shell Size	No. of Contacts	Keying	Insert	Contacts
		3, 6, 9	3, 6, 9	N Normal A, B, C, D	P Pin S Socket	0 Without Contacts 1 With Crimp Contacts

Contacts

Contact Size	Wire Range	Type	Part No.		
			TE	Mil-Spec	BACC
22	26 - 22 AWG	Pin	38941-22L	M39029/58-360	BACC47GC
		Socket	38946-22L	M39029/57-354	—

Connector panel-extraction tool: Part No. 612184-369

For information on the 369 series connectors, see TE brochure 1-1773704-7

LET'S CONNECT

We make it easy to connect with our experts and are ready to provide all the support you need. Just call your local support number or visit www.te.com/industrial to chat with a Product Information Specialist.

Technical Support

te.com/support-center

North America	+1 800 522 6752	Asia Pacific	+86 400 820 6015
North America (Toll)	+1 717 986 7777	Japan	044 844 8180
EMEA/South Africa	+800 0440 5100	Australia	+61 2 9554 2695
EMEA (Toll)	+31 73 624 6999	New Zealand	+64 (0) 9 634 4580
India (Toll-Free)	+800 440 5100		

te.com/369panel-mt

369, DEUTSCH, TE, TE Connectivity, TE Connectivity (logo) and Every Connection Counts are trademarks. All other logos, products and/or company names referred to herein might be trademarks of their respective owners.

The information given herein, including drawings, illustrations and schematics which are intended for illustration purposes only, is believed to be reliable. However, TE Connectivity makes no warranties as to its accuracy or completeness and disclaims any liability in connection with its use. TE Connectivity's obligations shall only be as set forth in TE Connectivity's Standard Terms and Conditions of Sale for this product and in no case will TE Connectivity be liable for any incidental, indirect or consequential damages arising out of the sale, resale, use or misuse of the product. Users of TE Connectivity products should make their own evaluation to determine the suitability of each such product for the specific application.

© 2016 TE Connectivity Ltd. family of companies All Rights Reserved.

1-1773876-1 03/16 Original