



UIC 558 CONNECTOR SERIES

AUDIO COUPLER 13 OR 18 CONTACTS

Technical Characteristics

Electrical

- Contact : 13 or 18 Ø3 mm (plug), 18 Ø3 mm (receptacle)
- Nominal Rating : 10 A
- Service Voltage : 110 V
- Withstand Voltage : 2 000 V
- Insulation strength : > 10 000 mΩ
- Contact Resistance : < 1 mΩ

Material

- Receptacle Housing : Aluminium
- Plug : Composite
- Contacts : Silver plated Brass (gold plating available)
- Fire proof : NF F 16-102 requirement 2, UL94V0, EN 45545-2

Environmental

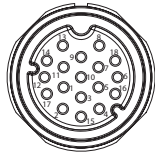
- Temperature range : -40°C +120°C
- Protection Index : IP67
- Salt spray : 96 hours

Mechanical

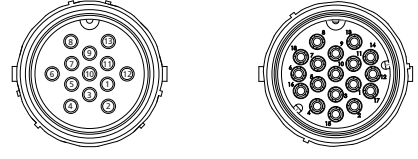
- Mating cycles : 10 000
- Vibrations : 2 g - From 10 to 100 Hz (NF F 60-002)
- Shocks : 30 g - 18 ms semi sinusoidal (NF C 20-727)
- Cable-gland PG21 included for cable Ø15 to 19 mm

Dimensions (mm/inch)

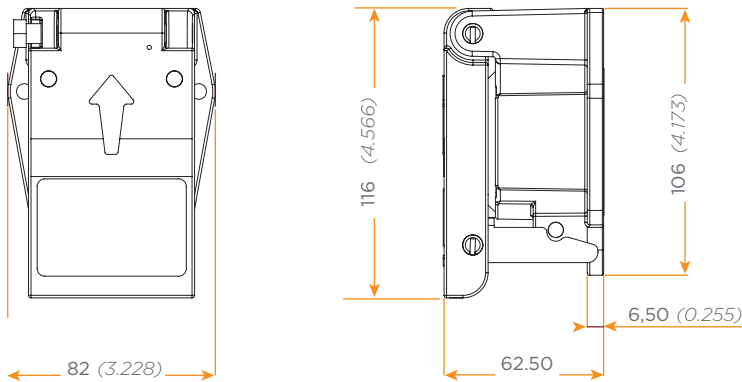
Female Front View
18 contacts



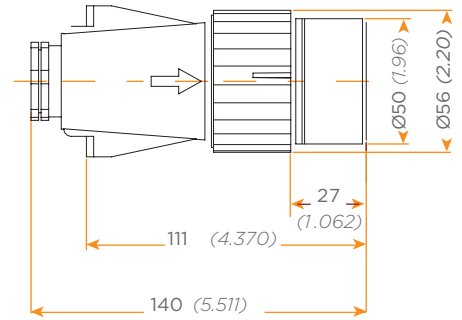
Male Front View
13 contacts 18 contacts



Female Receptacle

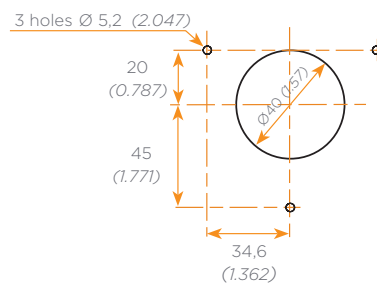
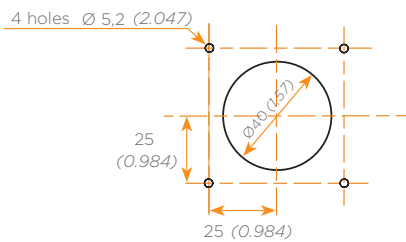


Male Plug



Panel cut out (mm/inch)

2 Possibilities



Part Numbers

Finish		Part Number
Female Receptacle	with insert incl. 18 silver plated female contacts, Grey paint finish	CSF1680-0001-00000
	with insert incl. 18 silver plated female contacts, Red paint finish	CSF1680-4000-00000
	with insert incl. 18 silver plated female contacts, Unpainted	CSF1680-0001-A0001
Dummy Receptacle	with socket insert, without female contacts, Grey paint finish	CSF1680-0003-00000
	with socket insert, without female contacts, Unpainted	CSF1680-0003-A0001
Empty Receptacle shell	without insert, Grey paint finish	CSF1680-0003-A0002
Male Plug	with insert incl. 13 contacts, with cable gland Ø 15 to 19 mm	CSF1705-0007-00000
	with insert incl. 18 contacts, with cable gland Ø 15 to 19 mm	CSF1680-0002-00000

Tooling

Tooling	Part Numbers
Crimping tool : DMC FT8	OUT0405-0167AS
Locator for crimping female contacts	OUT0405-0164AS
Locator for crimping male contacts	OUT0405-0201AS
Extraction tool	OUTCCI EXT-C0000

te.com/rail

© 2017 TE Connectivity Ltd. family of companies. All Rights Reserved. TE Connectivity, TE connectivity (logo) and Every Connection Counts are trademarks. 1-1773868-6

While TE has made every reasonable effort to ensure the accuracy of the information in this brochure, TE does not guarantee that it is error-free, nor does TE make any other representation, warranty or guarantee that the information is accurate, correct, reliable or current. TE reserves the right to make any adjustments to the information contained herein at any time without notice. TE expressly disclaims all implied warranties regarding the information contained herein, including, but not limited to, any implied warranties of merchantability or fitness for a particular purpose. The dimensions in this catalog are for reference purposes only and are subject to change without notice. Specifications are subject to change without notice. Consult TE for the latest dimensions and design specifications