

LUMAWISE LED Holders

Type Z50 LED holder for Seoul Semiconductor COB type SDWx2F1C and SDWx3F1C

The TE Solderless LED Holder, Type Z50, is a circular LED holder that provides a quick and easy solderless connection to the Seoul SSC COB type SDWx2F1C and SDWx3F1C LED chip on board array family. TE's Type Z50 holder allows the direct attachment of Seoul LEDs to a heat sink using standard screws enabling designs to be easier to use, and faster to market. The Type Z50 reduces assembly costs and provides a quality solderless power connection, secure mechanical attachment, proper thermal hold down forces, and a landing zone with attachment features for additional secondary optics.

KEY FEATURES

- Snap-in LED retention feature simplifies installation by securing the LED to the holder before mounting
- Poke-in wire connection eliminates time consuming soldering to the LED
- Enables constant thermal down force to minimize influence by thermal plastic deformation at high temperature
- Makes easy and clean thermal paste application possible with built-in excess paste overflow feature
- Provides a specified and stable landing area for additional secondary optics
- Optional alternate mechanical optic attachment accessory
- Minimalistic aesthetic design with clear polarity indication to aid assembly
- Mechanically strong and robust design with negligible light interference
- Available optics from Carclo and LEDIL

APPLICATIONS

- Spotlights
- Down Lights
- Stage lights
- Wall washers
- Architectural lighting

MECHANICAL

- Operating temperature range -40 to 105°C
- Utilize a minimum screw size of #4 or M3 for attachment
- Poke-in style electrical contacts supporting 18-22 AWG (0.35 - 0.75mm²) solid, fused and stranded wire
- Z50 w/ optics attach: 50mm diameter by 6mm high
- Z50 low profile: 45mm by 3.4mm high
- Enables compliancy to Zhaga book 3 standard

ELECTRICAL

- Current rating: 5A
- Voltage rating: 300 VDC
- UL1977 and CSA recognized component (cUR)
- IEC 60838-2-2 (up to 60VDC max)

MATERIALS

- High mechanical strength
- High heat resistance
- Good electrical properties
- UL94V-0 flammability rating

PRODUCT OFFERING

Z50 low profile holder:	2213254-1
Z50 with optic attachment:	2213254-2
<u>Optional Z50 Reflector Optics Retaining Clips:</u>	
Model 1 for LEDIL optics:	2213194-1
Model 2 for Khatod optics :	2213349-1

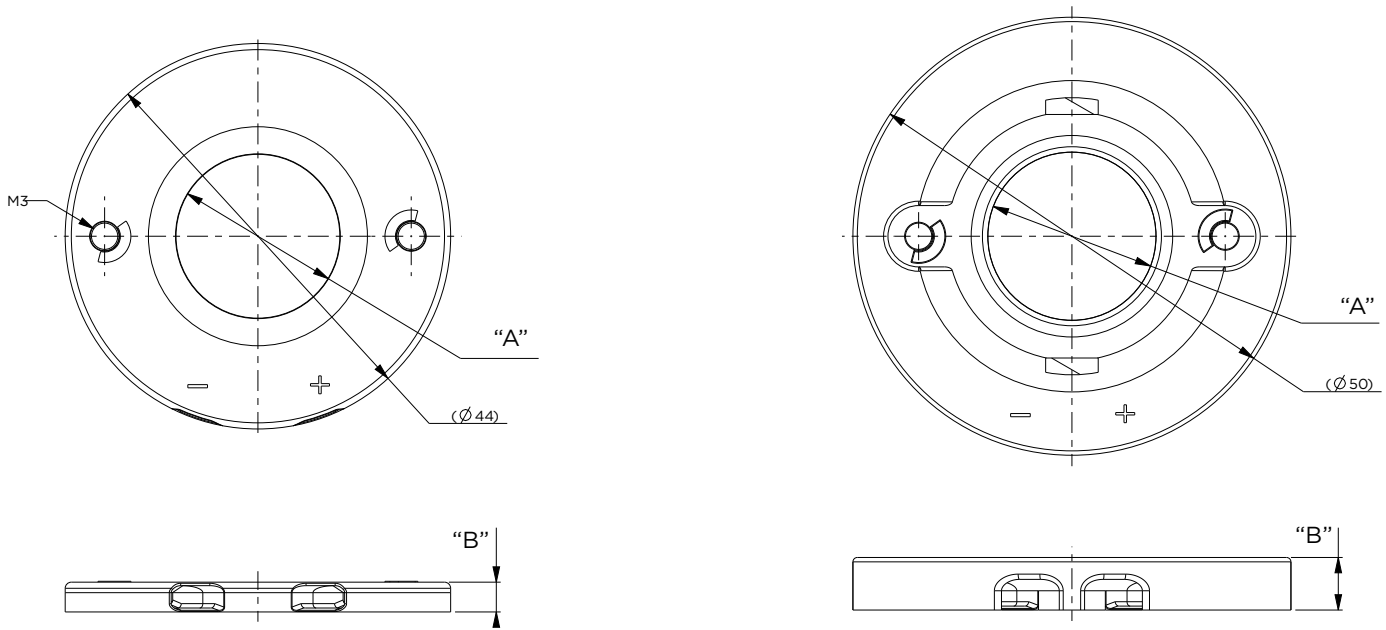
APPLICATIONS AND SPECIFICATIONS

- Application Specification #: **114-32048**
- Product Specification #: **108-133008**
- Product Qualification Report #: **501-19197**



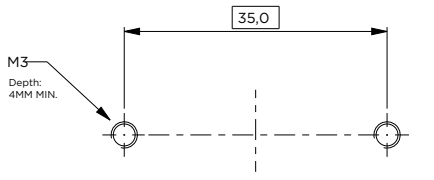
INTELLIGENT BUILDINGS

PRODUCT DIMENSIONS



Z50 Low Profile




Z50 with optic attachment features



Recommended Mounting Hole Pattern

Profile	"A"	"B"	TE Part No.
Low Profile	17 mm	3.4 mm	2213254-1
Optics Attach	17 mm	6 mm	2213254-2

Available Optics

TE Holder	Optics Partner	Product	Website	TE Attachment Accessory Required
2213254-2		NEWTON Series Reflectors	www.carclo-optics.com	None
2213254-2		ANGELA and ANGELINA Series Reflectors	www.ledil.com	2213194-1 <i>(Reflector Optics Retaining Clip Model 1)</i>
2213254-2		LYRA series reflectors	www.khatod.com	2213249-1 <i>(Reflector Optics Retaining Clip Model 2)</i>

Dimensions are shown for reference purposes only. Specifications subject to change. Customer drawing should be used for all design activity.



INTELLIGENT BUILDINGS