

## LUMAWISE LED Holders

### TE LED Holder for Osram Opto SOLERIQ™

The TE Solderless LED Socket, Type OS is a small, low profile, flexible LED holder that provides a quick and easy solderless connection to the OSRAM Opto SOLARIQ™ array. This low cost, straight forward design provides reliable power connection, mechanical attachment and proper thermal hold down force necessary for the LED array. The Solderless LED Socket, Type OS is available as a two piece corner configuration and as a one piece assembled unit. It is configured specifically for the SOLARIQ™ array to ease handling and reduce assembly time. TE's Type OS socket allows the direct attachment of LEDs to a heat sink using a standard screw, making designs more reliable, easier to user, and faster to market.

#### KEY FEATURES

- Available in two piece configuration or one piece assembled unit configured to the specific SOLERIQ™ array to ease handling and reduce assembly time
- Optional metal thermal spring enhances pressure on heat sink for a variety of TIMs without damage to substrates
- Housing design minimizes obstructed light output from LED
- White lighting grade materials with high reflectivity properties
- Guide posts for easy location and alignment on heatsink
- Access to COB temperature test point
- Access to view the LED polarity indicators printed on the LED
- Rounded corners to minimize shadowing
- Optical keep out zone and landing area for secondary optics

#### APPLICATIONS

- Downlights
- Spotlights
- High Bay lighting
- Overhead fixtures
- Area lighting

#### MECHANICAL

- Operating temperature range to 105°C without thermal pressure degradation
- Utilize a screw size of #4 or M3 for attachment
- Poke-in style electrical contacts supporting 18-22AWG solid, 18-20AWG fused, and 18AWG stranded 300V rated wire.

#### ELECTRICAL

- Current rating: 3.0A
- Voltage rating: 250 VDC
- UL and CSA recognized component (cUR) for use in UL8750, UL1598 applications
- IEC 60838-1 & IEC 61984 compliant
- Japan Electrical Appliance and Material Safety Law compliant (*Pending*)

#### MATERIALS

- UV resistant materials and high quality metal alloys and plating for long term stability and reliability during 50,000 hours of normal usage
- UL 94V-0 flammability rating

#### APPLICATIONS AND SPECIFICATIONS

- Application Specification: [114-32043](#)
- Product Specification: [108-133005](#)
- Product drawing: [2154857](#)

#### PRODUCT OFFERING

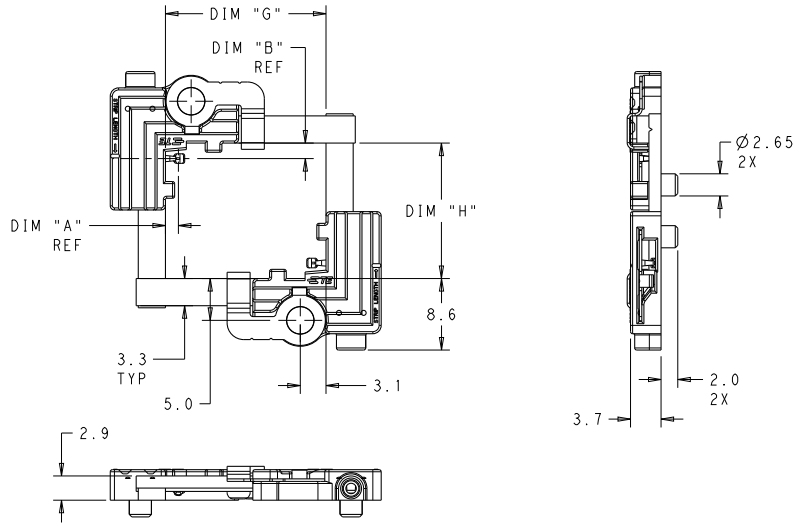
2 piece version for: SOLERIQ™ E30 [3-2154857-3](#)



INTELLIGENT BUILDINGS

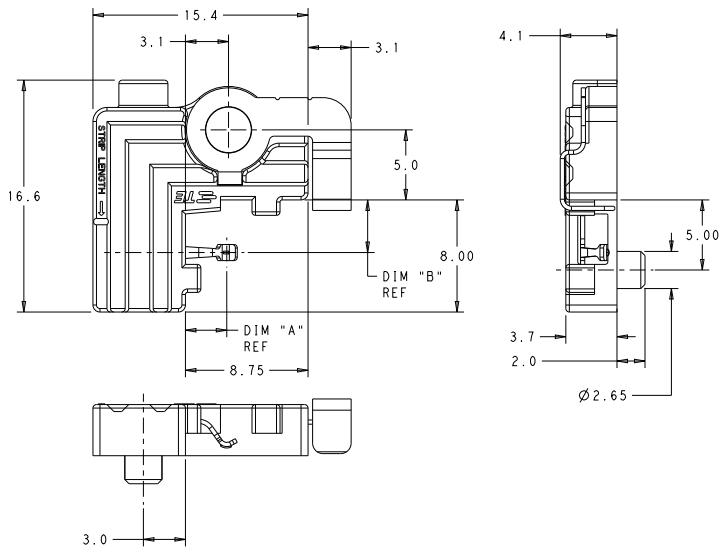
PRODUCT DIMENSIONS

One Piece Version



For LED	Thermal Spring	Dim. H	Dim. G	Dim. B	Dim. A	Contact Plating	Part Number
SOLERIQ E30	TBD	TBD	TBD	TBD	TBD	TBD	TBD

Two Piece Version



For LED	Thermal Spring	Dim. A	Dim. B	Contact Plating	Part Number
SOLERIQ™ E30	Yes	3.75	2.95	Tin over Nickel	3-2154857-3

Dimensions are shown for reference purposes only. Specifications subject to change. Customer drawing should be used for all design activity.



INTELLIGENT BUILDINGS