

4

3

2

1

THIS DRAWING IS UNPUBLISHED.

RELEASED FOR PUBLICATION

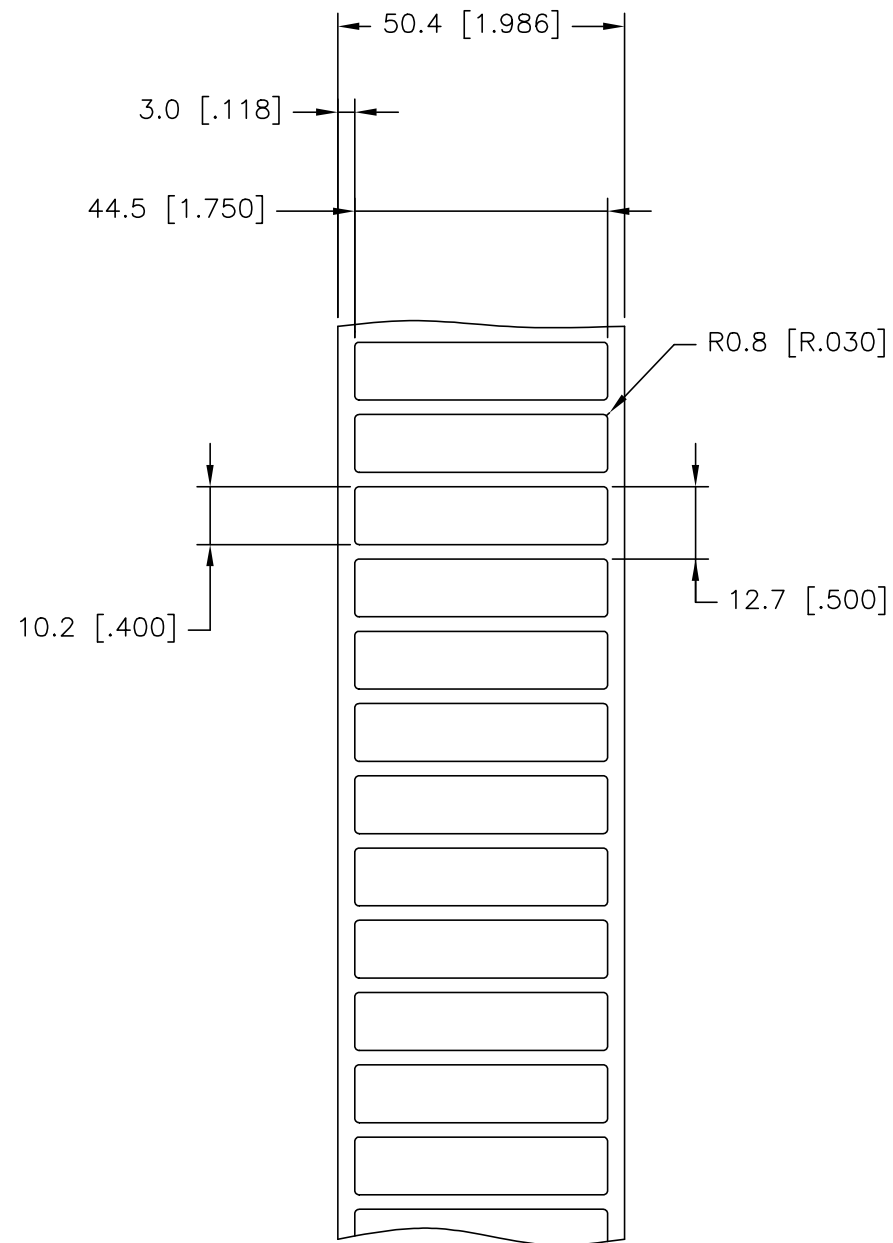
ALL RIGHTS RESERVED.

© COPYRIGHT - TE Connectivity Ltd.

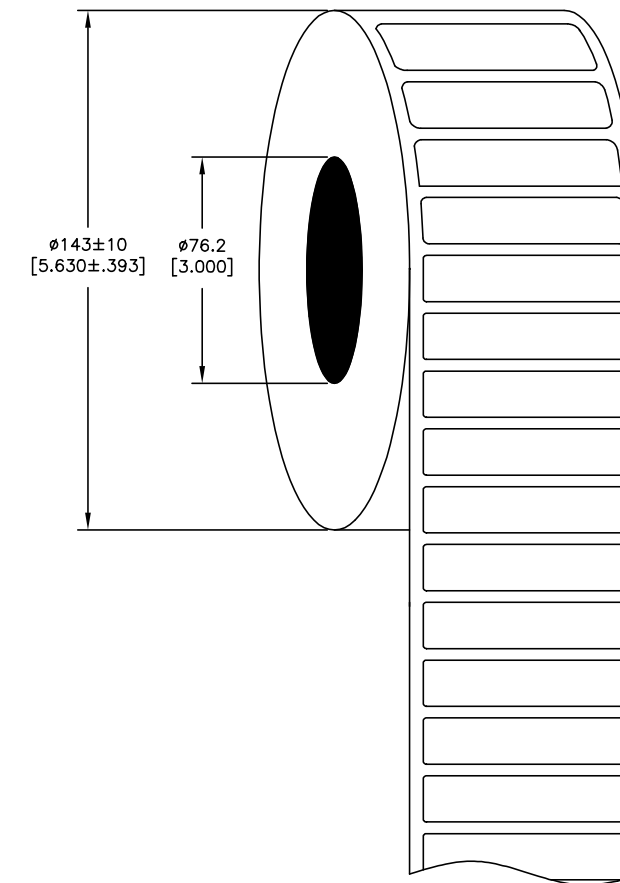
REVISIONS

P	LTR	DESCRIPTION	DATE	DWN	APVD
	A	DRAWING FORMAT UPDATE AND MATERIAL RE-DESIGN	30JUL2019	GK	KM

LABEL AND LINER DESIGN



PRESENTATION



All dimensions in mm [Inches]

TE PN: F77500-000

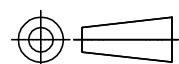
**OUTSIDE WOUND
 LABEL ACROSS: 1
 PER ROLL QTY: 5000..
 ROLL LENGTH: 63.50 m**

MATERIAL	WHITE VINYL FILM
ADHESIVE TYPE	PERMANENT
LINER	GLASSINE PAPER

TOLERANCES mm [INCH]	
LABEL HEIGHT:	±0.3 [.012]
LABEL WIDTH:	±0.3 [.012]
WEB WIDTH:	±0.8 [.031]
VERTICAL REPEAT:	±0.8 [.031]*
HORIZONTAL REPEAT:	±0.8 [.031]*
PRINT POSITIONING:	±0.8 [.031]*
LEFT MARGIN:	±0.4 [.016]
QUANTITY:	-0 % +2 %
*NON ACCUMULATING	

THIS DRAWING IS A CONTROLLED DOCUMENT.

DIMENSIONS:
mm [INCHES]



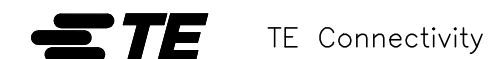
TOLERANCES UNLESS OTHERWISE SPECIFIED:

0 PLC	± -
1 PLC	± -
2 PLC	± -
3 PLC	± -
4 PLC	± -
ANGLES	± -

MATERIAL
SEE TABLE

FINISH
-

DWN	30JUL2019
CHK	GOPALAKRISHNA HV
APVD	30JUL2019
NAME	K. MUNZ
PRODUCT SPEC	K. MUNZ
APPLICATION SPEC	TTDS-207
WEIGHT	0.05220 g
CUSTOMER DRAWING	



NAME WV - WHITE VINYL LABELS			
SIZE	CAGE CODE	DRAWING NO	RESTRICTED TO
A3	C2290	WV-445102-5-9	-
SCALE NTS		SHEET 1 of 1	REV A