

4

3

2

1

THIS DRAWING IS UNPUBLISHED.

RELEASED FOR PUBLICATION

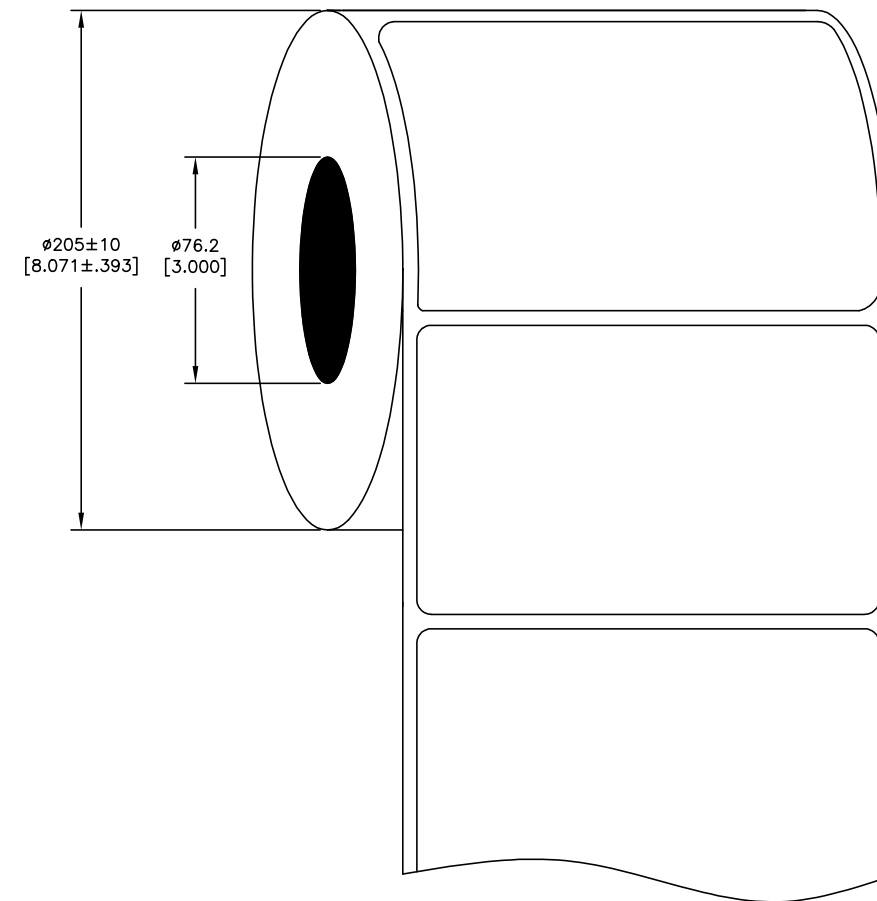
© COPYRIGHT - TE Connectivity Ltd.

ALL RIGHTS RESERVED.

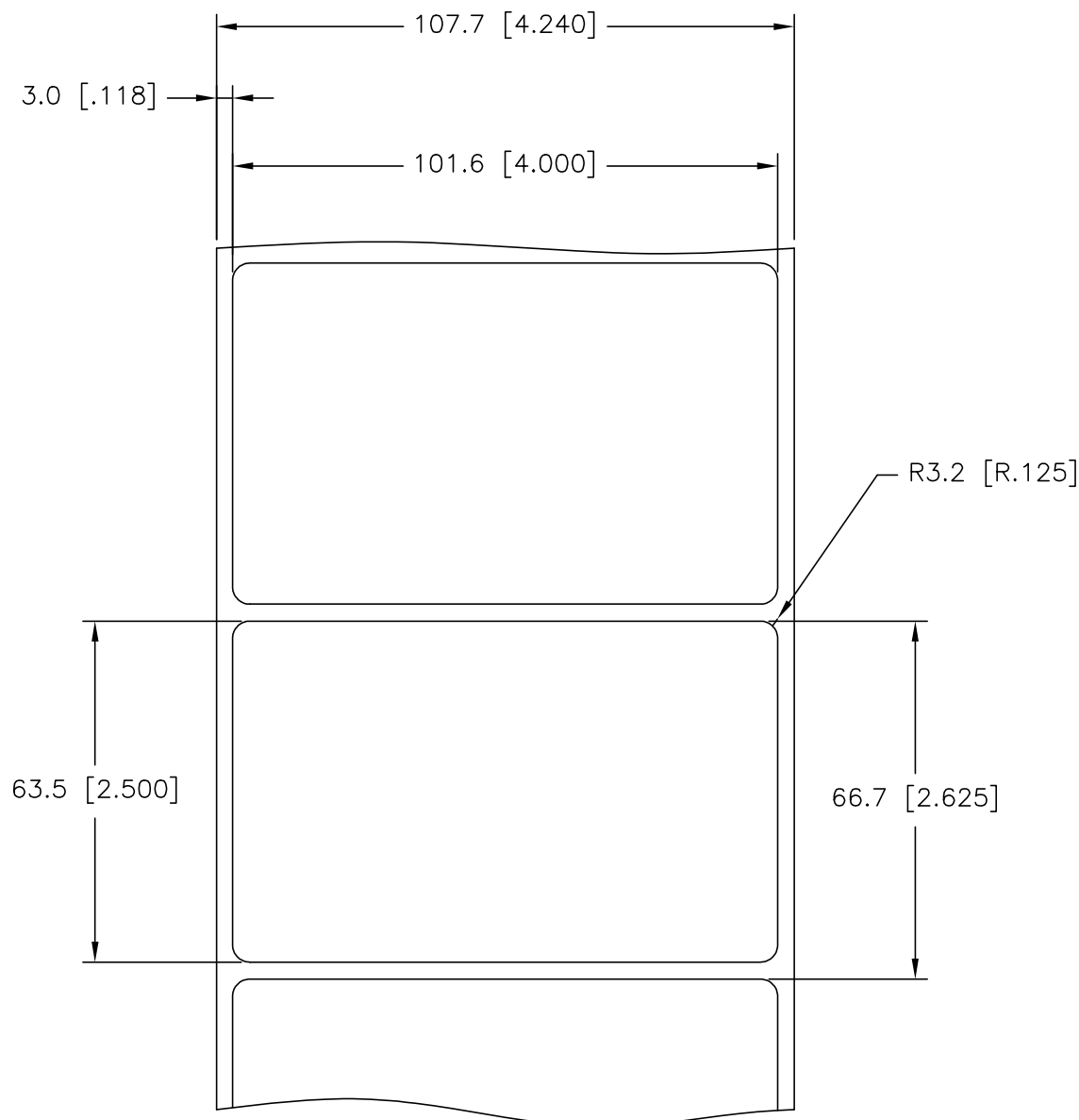
REVISIONS

P	LTR	DESCRIPTION	DATE	DWN	APVD
	A	DRAWING FORMAT UPDATE AND MATERIAL RE-DESIGN	01AUG2019	GK	KM

PRESENTATION



LABEL AND LINER DESIGN



All dimensions in mm [Inches]

TE PN: E87488-000

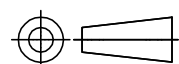
**OUTSIDE WOUND
LABEL ACROSS: 1
PER ROLL QTY: 2500.
ROLL LENGTH: 166.75 m**

MATERIAL	WHITE VINYL FILM
ADHESIVE TYPE	PERMANENT
LINER	GLASSINE PAPER

TOLERANCES mm [INCH]	
LABEL HEIGHT:	± 0.3 [.012]
LABEL WIDTH:	± 0.3 [.012]
WEB WIDTH:	± 0.8 [.031]
VERTICAL REPEAT:	± 0.8 [.031]*
HORIZONTAL REPEAT:	± 0.8 [.031]*
PRINT POSITIONING:	± 0.8 [.031]*
LEFT MARGIN:	± 0.4 [.016]
QUANTITY:	-0 % +2 %
*NON ACCUMULATING	

THIS DRAWING IS A CONTROLLED DOCUMENT.

DIMENSIONS:
mm [INCHES]



TOLERANCES UNLESS OTHERWISE SPECIFIED:

0 PLC	\pm
1 PLC	\pm
2 PLC	\pm
3 PLC	\pm
4 PLC	\pm
ANGLES	\pm

MATERIAL
SEE TABLE

FINISH

DWN 31JUL2019
GOPALAKRISHNA HV
CHK 01AUG2019
K. MUNZ
APVD 01AUG2019
K. MUNZ
PRODUCT SPEC
TTDS-207
APPLICATION SPEC

WEIGHT 0.74193 g

CUSTOMER DRAWING



NAME
WV - WHITE VINYL LABELS

SIZE	CAGE CODE	DRAWING NO	RESTRICTED TO
A3	C2290	WV-101635-2.5-9	-

SCALE	SHEET	REV
NTS	1 of 1	A