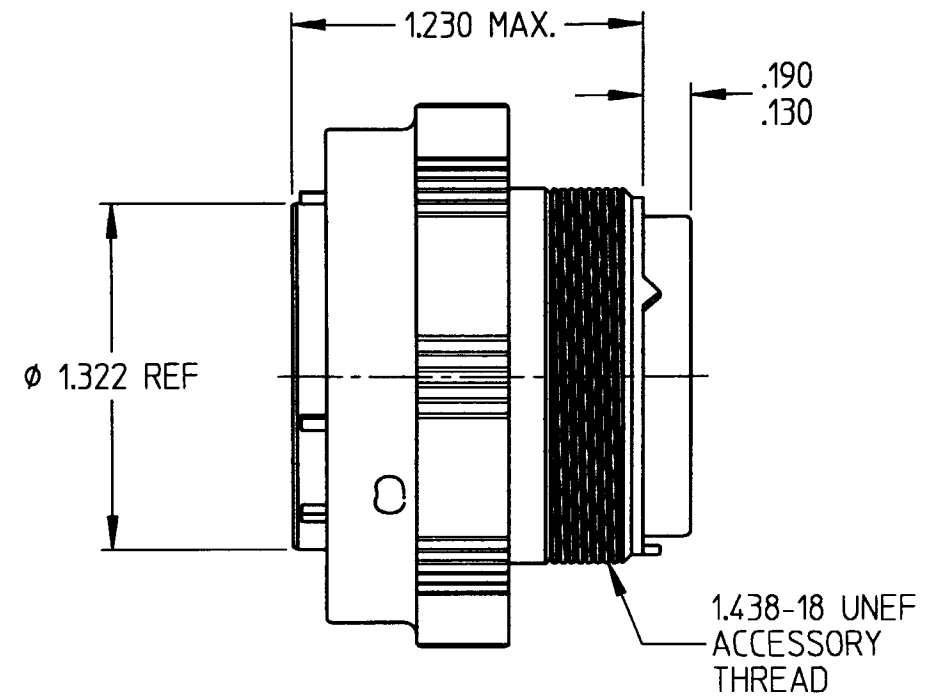
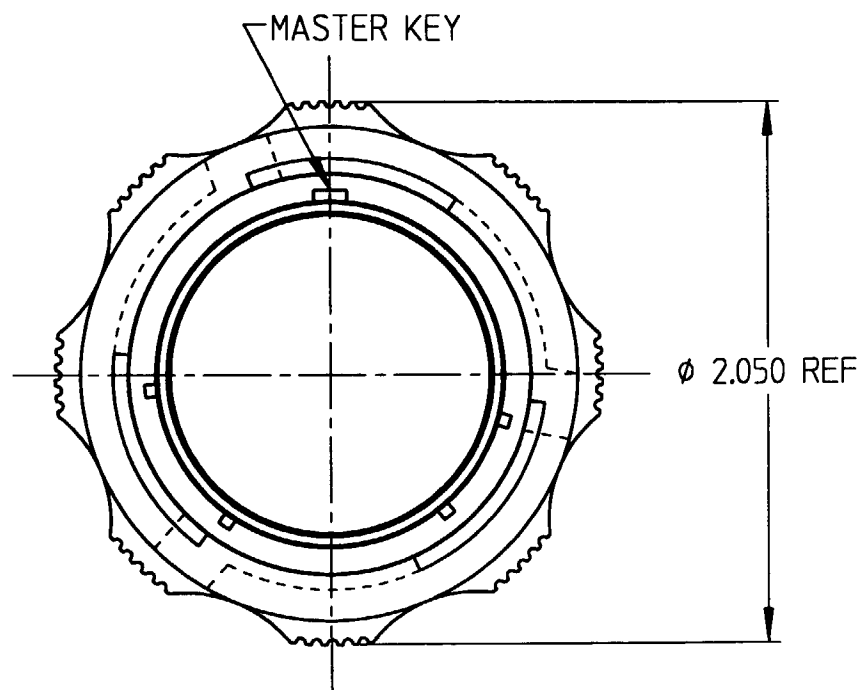


**PROPERTY OF DEUTSCH E.C.D.**  
 This drawing contains proprietary information that shall not be disclosed, duplicated,  
 nor used in whole or in part for any purpose other than to evaluate this drawing.

N/C WTC06B-24-***P/S*		REVISIONS	
REV	DESCRIPTION	DATE	APPROVED
N/C	NEW RELEASE PER E.O. C2635	1-17-97	BJH



PART NUMBER BREAKDOWN EXAMPLE:  
**WTC06B-24-31SN**

- INSERT CLOCKING: N = STANDARD
- P = PIN S = SOCKET INSERT
- INSERT ARRANGEMENT
- SHELL SIZE
- B = BLACK COMPOSITE UNPLATED
- PLUG CONNECTOR
- WORLD TRANSMISSION COMPOSITE SERIES

4. AVAILABLE INSERT ARRANGEMENTS ARE ILLUSTRATED ON DEUTSCH INFORMATION DRAWING 0925-204-0000. ONLY SIZE 24 SHELLS AND INSERT ARRANGEMENTS ARE CURRENTLY AVAILABLE.
3. CONNECTORS ARE SHIPPED LESS BACKSHELL, CONTACTS, SEALING PLUGS, AND INSERTION/REMOVAL TOOLS.
2. MATERIALS: SHELL, COUPLING RING - COMPOSITE  
 INSERTS - THERMOPLASTIC, ELASTOMER
1. DIMENSIONS ARE IN INCHES UNLESS OTHERWISE SPECIFIED.

SIGNATURE & DATE		<b>CONNECTOR, PLUG</b>	CP	MATL CODE
DR	N. CORBO 1-14-97		<b>DEUTSCH</b>	
CHK	<i>[Signature]</i> 1-17-97	BAYONET COUPLING COMPOSITE SHELL	ENGINEERED CONNECTING DEVICES	
PE	N. CORBO 1-14-97	WORLD TERMINATION COMPOSITE SERIES	36033 Whittier Ave. Hemel, California	
APPD		ENVELOPE	<b>A WTC06B-24-***P/S*</b>	
SCALE	NONE WT		OWG SIZE	CODE 1132 SHEET 1 OF 1

WTC06B-24-XXX-SX-ENV-NC