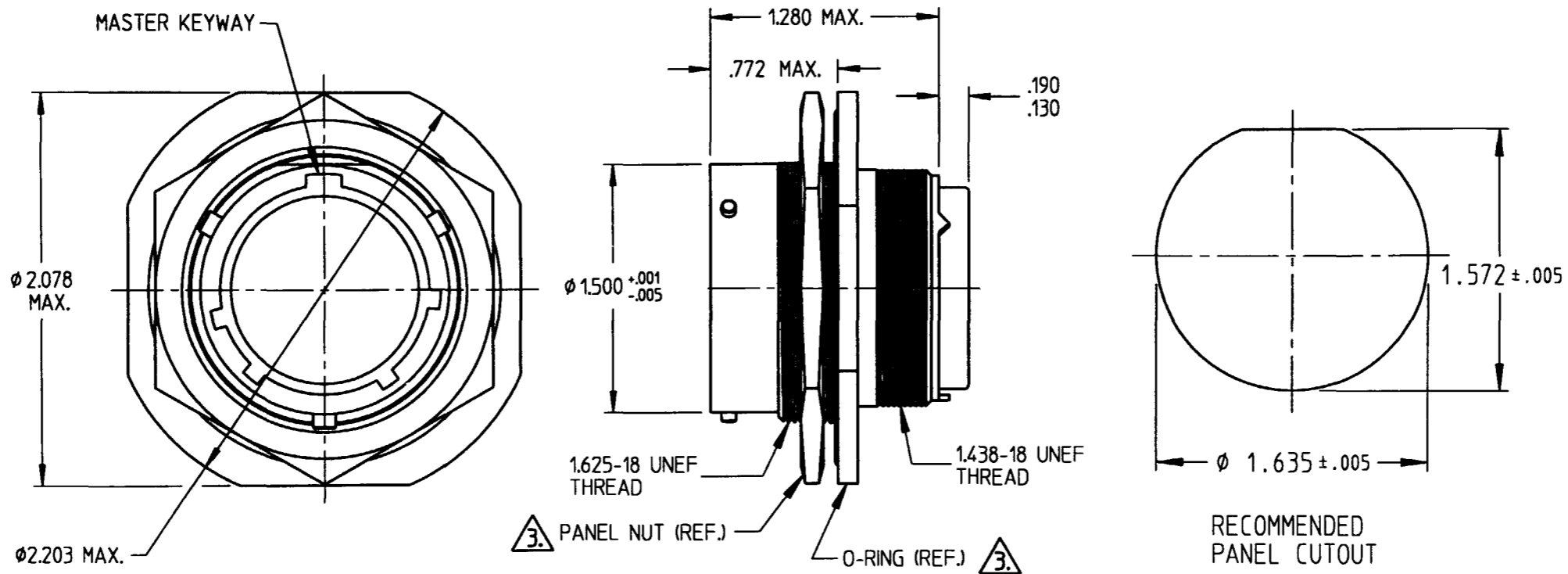


PROPERTY OF DEUTSCH E.C.D.
 This drawing contains proprietary information that shall not be disclosed, duplicated,
 nor used in whole or in part for any purpose other than to evaluate this drawing.

N/C WTC04B-24**P/S*

REVISIONS			
REV	DESCRIPTION	DATE	APPROVED
N/C	NEW RELEASE PER E.O. C2635	1-17-97	BJH



WTC04B-24-31PN

- INSERT CLOCKING: N = STANDARD
- P = PIN S = SOCKET INSERT
- INSERT ARRANGEMENT
- SHELL SIZE
- B = BLACK COMPOSITE UNPLATED
- SINGLE HOLE RECEPTACLE CONNECTOR
- WORLD TRANSMISSION COMPOSITE SERIES

4. AVAILABLE INSERT ARRANGEMENTS ARE ILLUSTRATED ON DEUTSCH INFORMATION DRAWING 0925-204-0000. ONLY SIZE 24 SHELLS AND INSERT ARRANGEMENTS ARE CURRENTLY AVAILABLE.

3. CONNECTOR IS SHIPPED LESS PANEL NUT, O-RING, BACKSHELL, CONTACTS, SEALING PLUGS, AND INSERTION/REMOVAL TOOLS.

2. MATERIALS. SHELL, PANEL NUT - COMPOSITE
 INSERTS - THERMOPLASTIC, ELASTOMER
 O-RING - SILICONE

1. DIMENSIONS ARE IN INCHES UNLESS OTHERWISE SPECIFIED.

SIGNATURE & DATE		CONNECTOR, RECEPTACLE	CP	MATERIAL CODE
DR	N. CORBO 1-15-97			
CHK	<i>[Signature]</i> 1-17-97	SINGLE HOLE MOUNTING BAYONET COUPLING COMPOSITE SHELL	DEUTSCH ENGINEERED CONNECTING DEVICES 36033 Whittier Ave. Hemet, California	
PE	N. CORBO 1-15-97	WORLD TRANSMISSION COMPOSITE SERIES	A	WTC04B-24-**P/S*
APPD		ENVELOPE		
SCALE	NONE	WT	CODE	1109
			SHEET	1 OF 1

WTC04B-24-XXP-SX-ENV-NC