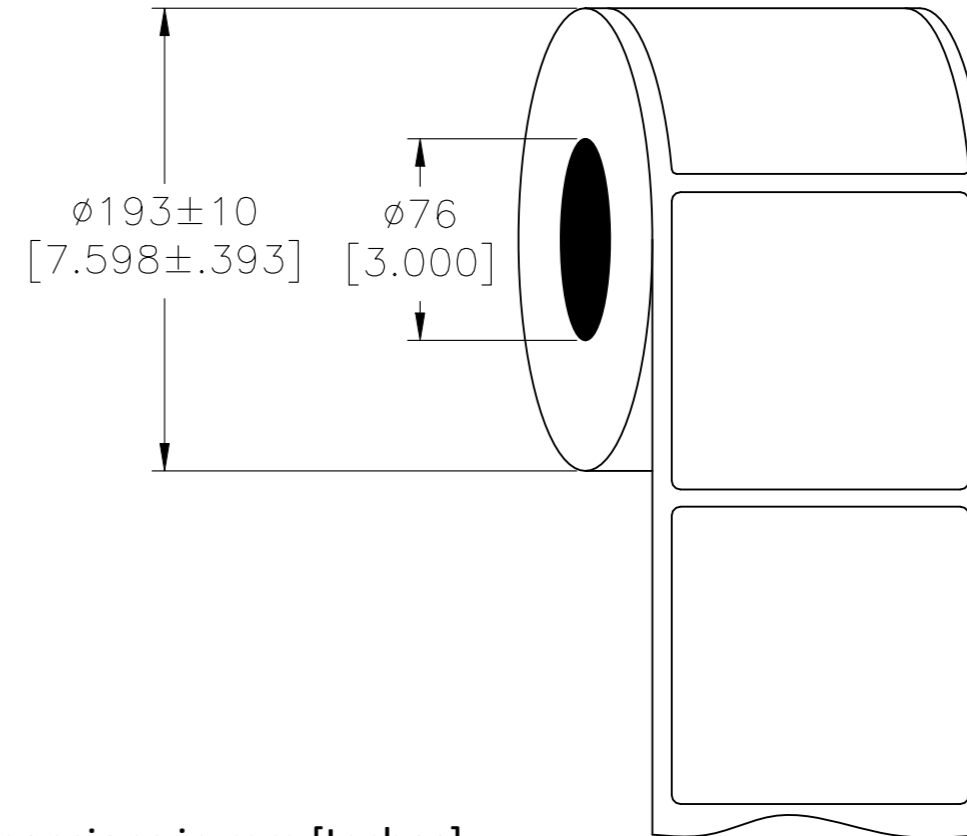
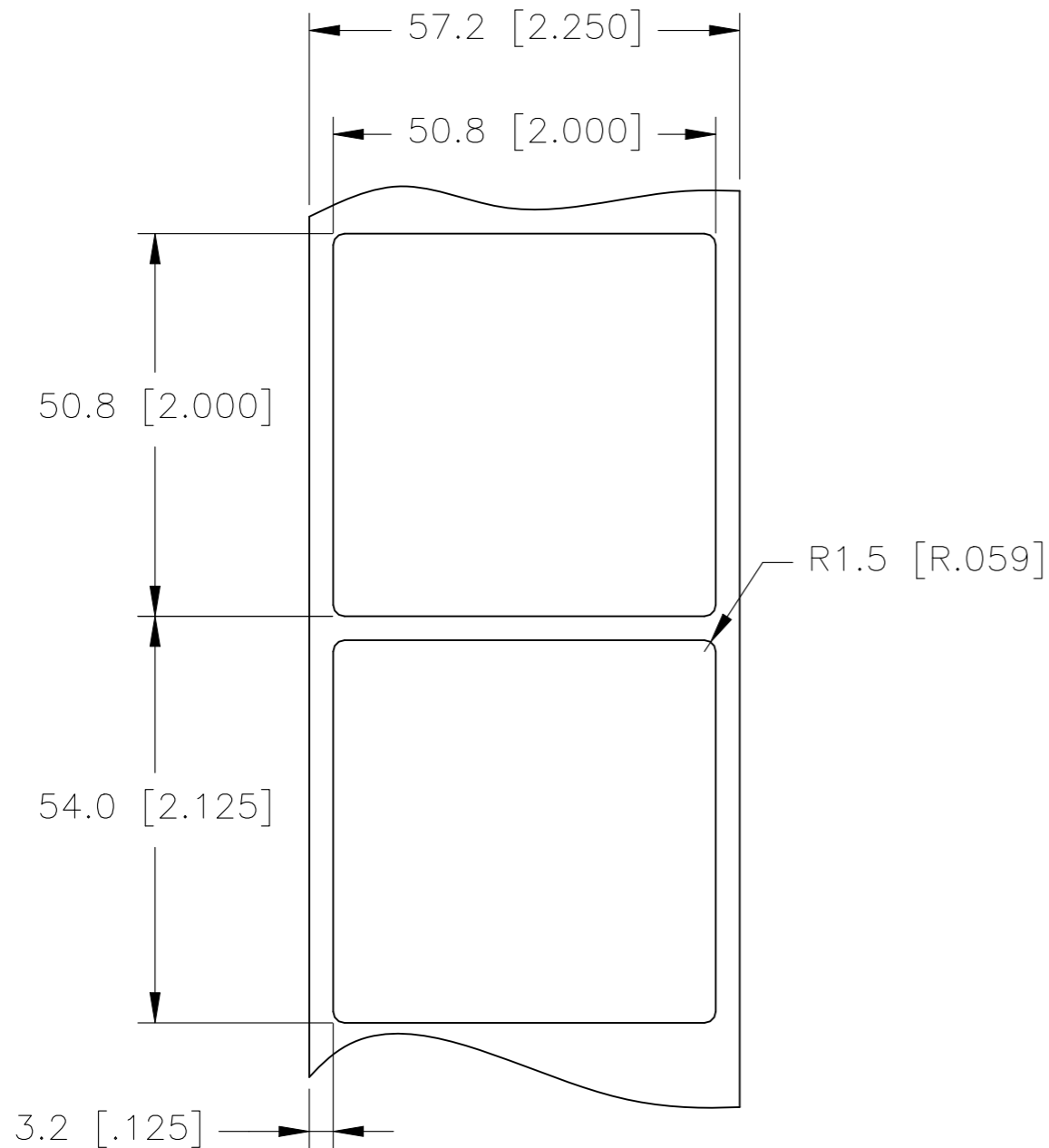


P	LTR	DESCRIPTION	DATE	DWN	APVD
	A	NEW DRAWING	25SEP2020	GK	DB

LABEL AND LINER DESIGN

PRESENTATION



All dimensions in mm [Inches]

TE PN: CT92173001

**OUTSIDE WOUND
LABEL ACROSS: 1
PER ROLL QTY: 3000**

MATERIAL	WHITE POLYESTER
ADHESIVE TYPE	ACRYLIC PERMANENT
LINER	WHITE GLASSINE

TOLERANCES mm [INCH]	
LABEL HEIGHT:	±0.3 [.012]
LABEL WIDTH:	±0.3 [.012]
WEB WIDTH:	±2.0 [.079]
VERTICAL REPEAT:	±0.8 [.031]*
HORIZONTAL REPEAT:	±0.8 [.031]*
PRINT POSITIONING:	±0.8 [.031]*
LEFT MARGIN:	±0.7 [.027]
QUANTITY:	-0 % +2 %
*NON ACCUMULATING	

THIS DRAWING IS A CONTROLLED DOCUMENT.	
DIMENSIONS: mm [INCHES]	TOLERANCES UNLESS OTHERWISE SPECIFIED:
	0 PLC ± -
	1 PLC ± -
	2 PLC ± -
	3 PLC ± -
	4 PLC ± -
ANGLES ± -	FINISH -
MATERIAL SEE TABLE	

DWN	25SEP2020
CHK	GOPALAKRISHNA HV
APVD	25SEP2020
PRODUCT SPEC	D. BURGAT
APPLICATION SPEC	TTDS-301
WEIGHT	0.315g
CUSTOMER DRAWING	

TE Connectivity		NAME	
		White Polyester Chemical Resistant - 50.8 x 50.8mm [2.0 x 2.0inch]	
SIZE	CAGE CODE	DRAWING NO	RESTRICTED TO
A3	FB1U7	C=WPCR-508508-3-9	-
SCALE		SHEET	REV
NTS		1 OF 1	A