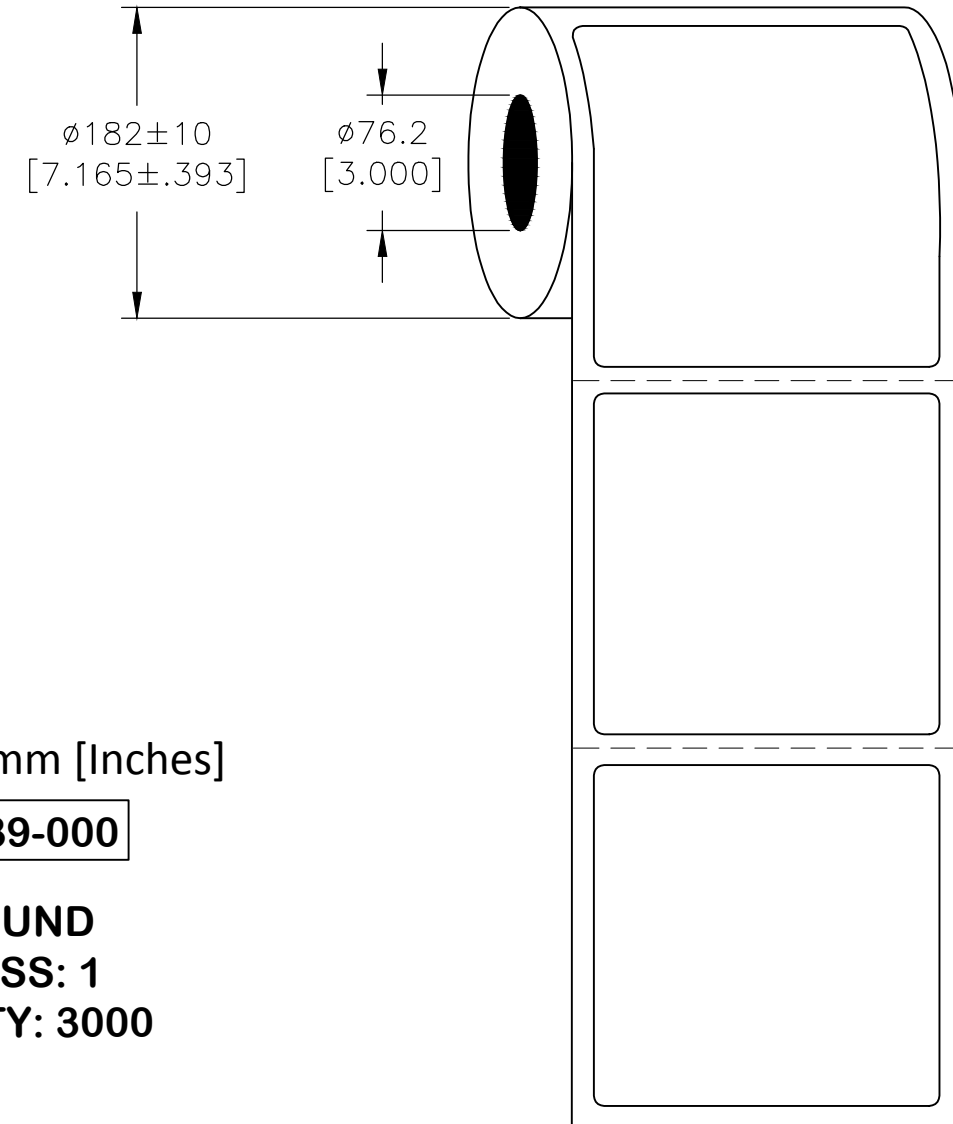
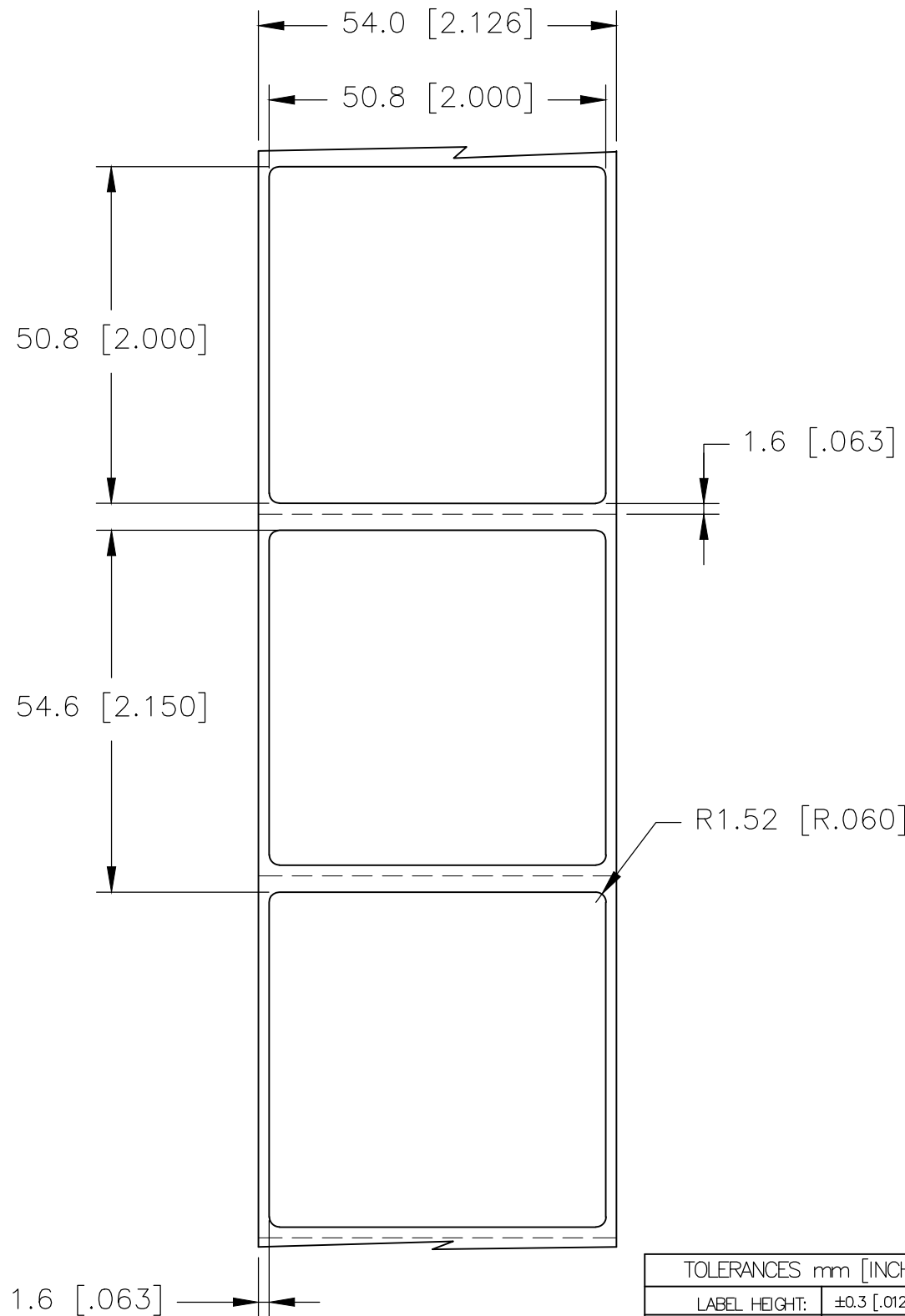


P	LTR	DESCRIPTION	DATE	DWN	APVD
	B	ECR-20-003872	24FEB2020	MN	AK

LABEL AND LINER DESIGN

PRESENTATION



All dimensions in mm [Inches]

TE PN: D31439-000

**OUTSIDE WOUND
LABEL ACROSS: 1
PER ROLL QTY: 3000**

MATERIAL	WHITE POLYESTER
ADHESIVE TYPE	PERMANENT
LINER	GLASSINE PAPER



WP - WHITE POLYESTER LABELS

TOLERANCES mm [INCH]	
LABEL HEIGHT:	±0.3 [.012]
LABEL WIDTH:	±0.3 [.012]
WEB WIDTH:	±0.8 [.031]
VERTICAL REPEAT:	±0.8 [.031]*
HORIZONTAL REPEAT:	±0.8 [.031]*
PRINT POSITIONING:	±0.8 [.031]*
LEFT MARGIN:	±0.4 [.016]
QUANTITY:	-0 % +2 %
*NON ACCUMULATING	

THIS DRAWING IS A CONTROLLED DOCUMENT.

DIMENSIONS:	TOLERANCES UNLESS OTHERWISE SPECIFIED:
mm [INCHES]	
	0 PLC ± -
	1 PLC ± -
	2 PLC ± -
	3 PLC ± -
	4 PLC ± -
	ANGLES ± -
	FINISH ± -

DWN	29DEC2006
GOPALAKRISHNA HV	
CHK	29DEC2006
K. MUNZ	
APVD	29DEC2006
K. MUNZ	
PRODUCT SPEC	
TTDS-073	
APPLICATION SPEC	
WEIGHT	0.232g

NAME	WP - WHITE POLYESTER LABELS			RESTRICTED TO
SIZE	CAGE CODE	DRAWING NO		
A3	C2290	G-WP-508508-3-9		
CUSTOMER DRAWING	SCALE	SHEET	REV	
	NTS	1 OF 1	B	