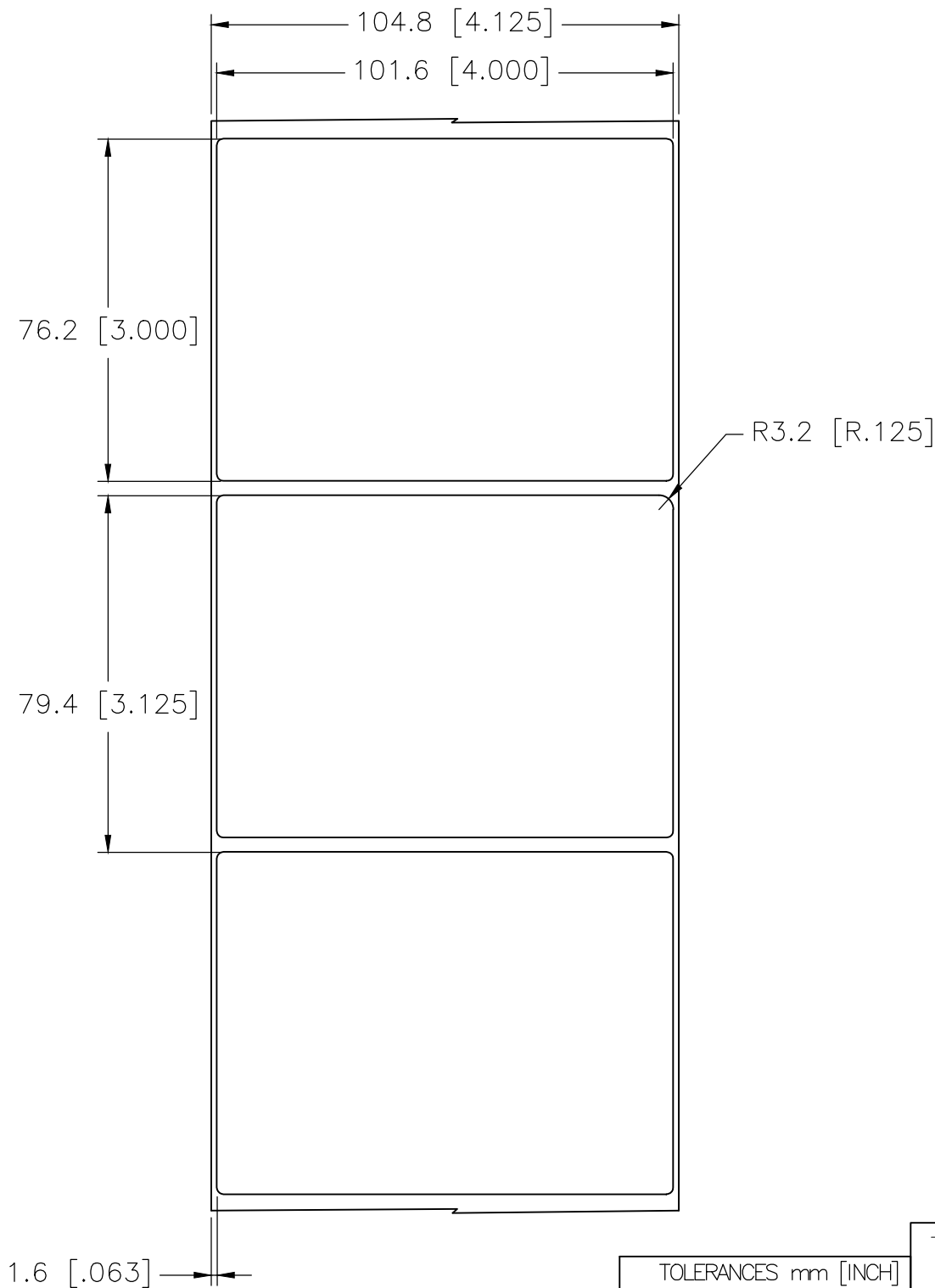
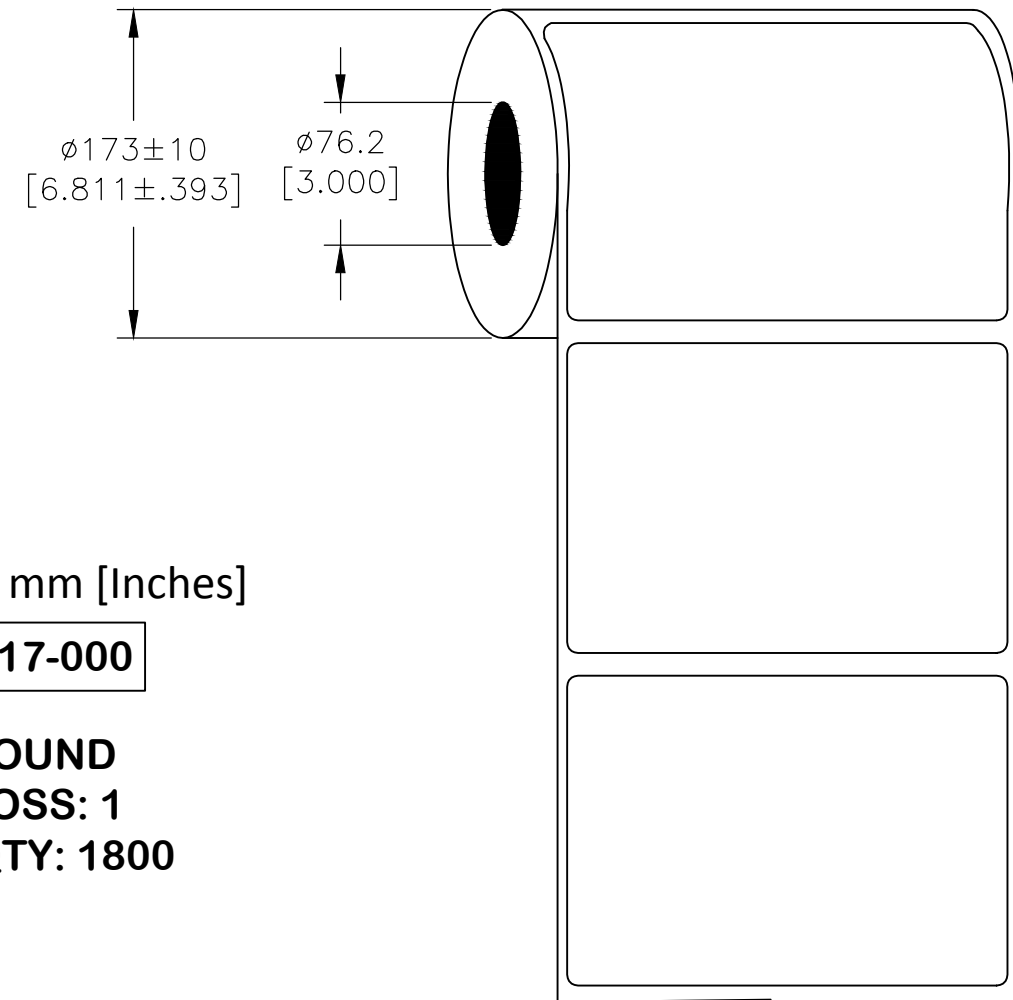


P	LTR	DESCRIPTION	DATE	DWN	APVD
	D	INITIAL RELEASE	26FEB2020	GK	MN

LABEL AND LINER DESIGN



PRESENTATION



All dimensions in mm [Inches]

TE PN: F34217-000

**OUTSIDE WOUND
LABEL ACROSS: 1
PER ROLL QTY: 1800**

MATERIAL	WHITE POLYESTER
ADHESIVE TYPE	PERMANENT
LINER	GLASSINE PAPER

1.6 [.063]

TOLERANCES mm [INCH]	
LABEL HEIGHT:	±0.3 [.012]
LABEL WIDTH:	±0.3 [.012]
WEB WIDTH:	±0.8 [.031]
VERTICAL REPEAT:	±0.8 [.031]*
HORIZONTAL REPEAT:	±0.8 [.031]*
PRINT POSITIONING:	±0.8 [.031]*
LEFT MARGIN:	±0.4 [.016]
QUANTITY:	-0 % +2 %
*NON ACCUMULATING	

THIS DRAWING IS A CONTROLLED DOCUMENT.

DIMENSIONS:	TOLERANCES UNLESS OTHERWISE SPECIFIED:
mm [INCHES]	
	0 PLC ± -
	1 PLC ± -
	2 PLC ± -
	3 PLC ± -
	4 PLC ± -
	ANGLES ± -
	FINISH ± -

MATERIAL
SEE TABLE

DWN	27APR2006
CHK	GOPALAKRISHNA HV
APVD	13MAR2020
PRODUCT SPEC	M.NUTTALL
APPLICATION SPEC	M.NUTTALL
TTDS-073	
WEIGHT	0.697g

STE TE Connectivity

WP - WHITE POLYESTER LABELS

SIZE	CAGE CODE	DRAWING NO	RESTRICTED TO
A3	C2290	G-WP-101762-1.8-9	-

CUSTOMER DRAWING	SCALE	SHEET	REV
	NTS	1 OF 1	D