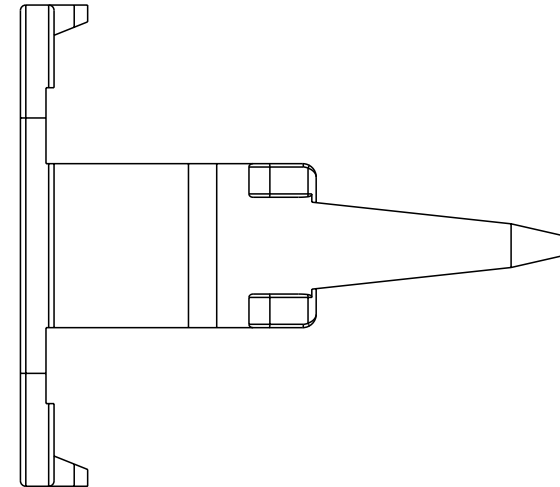
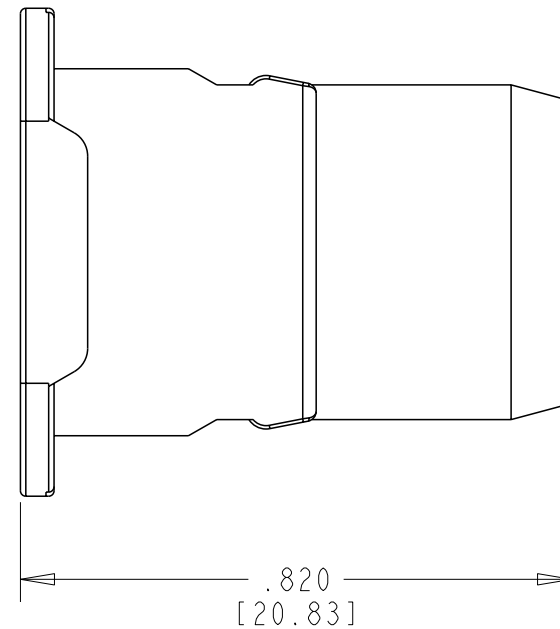
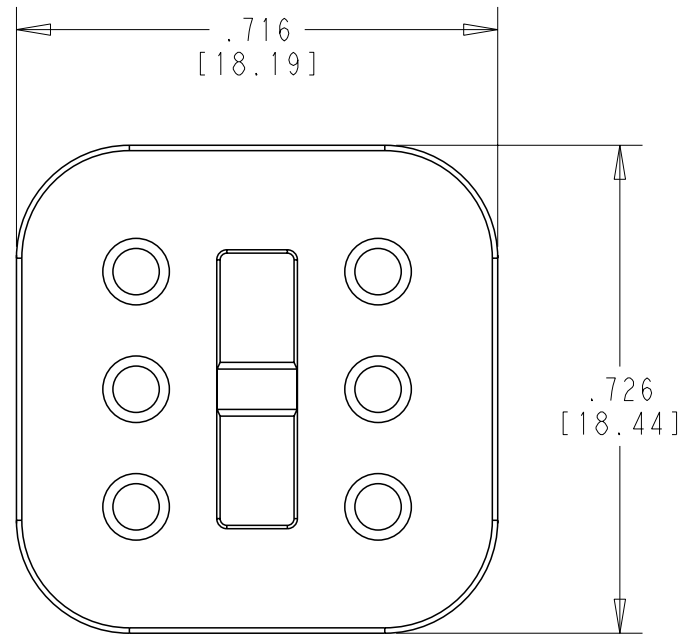


REVISIONS

P	LTR	DESCRIPTION	DATE	DWN	APVD
	NC	NEW RELEASE PER E.O. P16803	22AUG2000	GN	-
	B	REVISED PER PCN-23-190134	05OCT2023	GB	CB



Printed on 23 Oct 2023 15:55 (Eastern Standard Time) from TE354946

1. THIS WEDGE MATES WITH DT06-6S-XXXX AND DTF13-6P2.
 (XXXX = ALL MODIFICATIONS) CONSULT FACTORY FOR MODIFICATIONS

NOTES:

THIS DRAWING IS A CONTROLLED DOCUMENT.		DWN	09AUG2000		TE TE Connectivity
		CHK	M. GONZALEZ		
		APVD			
		PRODUCT SPEC	108-151009		
DIMENSIONS: INCHES [mm]		TOLERANCES UNLESS OTHERWISE SPECIFIED:		NAME WEDGE LOCK KEY POSITION #2 FOR DFT SERIES COLOR : BLUE	
		0 PLC ±-		APPLICATION SPEC	
		1 PLC ±-		114-151009	
		2 PLC ±-		WEIGHT	
		3 PLC ±.025 [0.64]		1.79 g	
		4 PLC ±-		SIZE	
		ANGLES ±-		A3	
MATERIAL		FINISH		CAGE CODE	
PBT GF30				00779	
BLUE				DRAWING NO	
				G-W6S2-P012	
				RESTRICTED TO	
				-	
		CUSTOMER DRAWING		SCALE	
				7:2	
				SHEET	
				1 OF 1	
				REV	
				B	