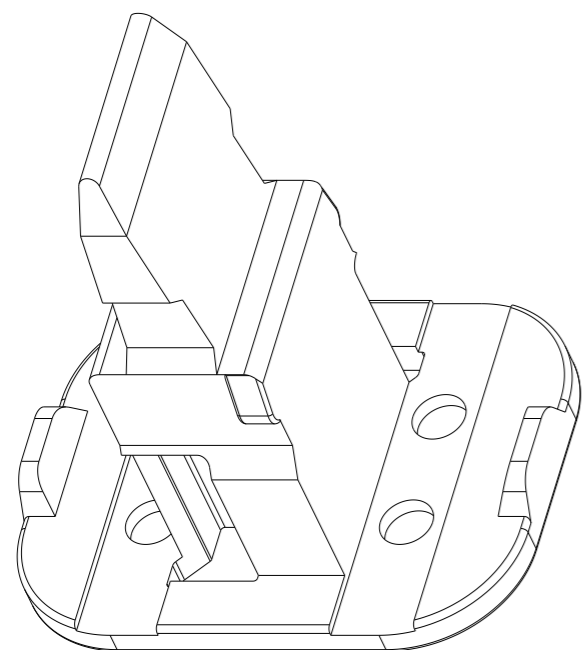
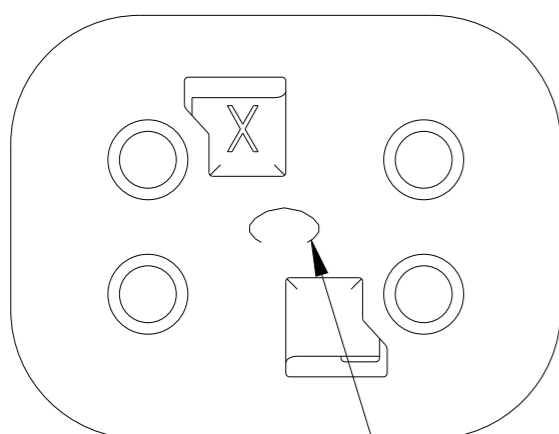
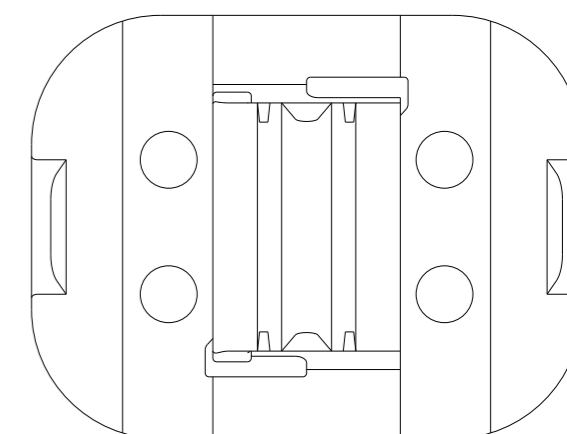
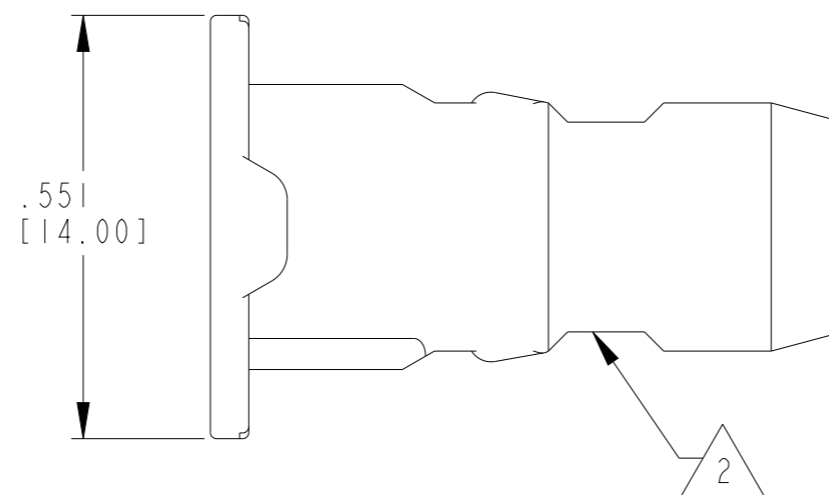
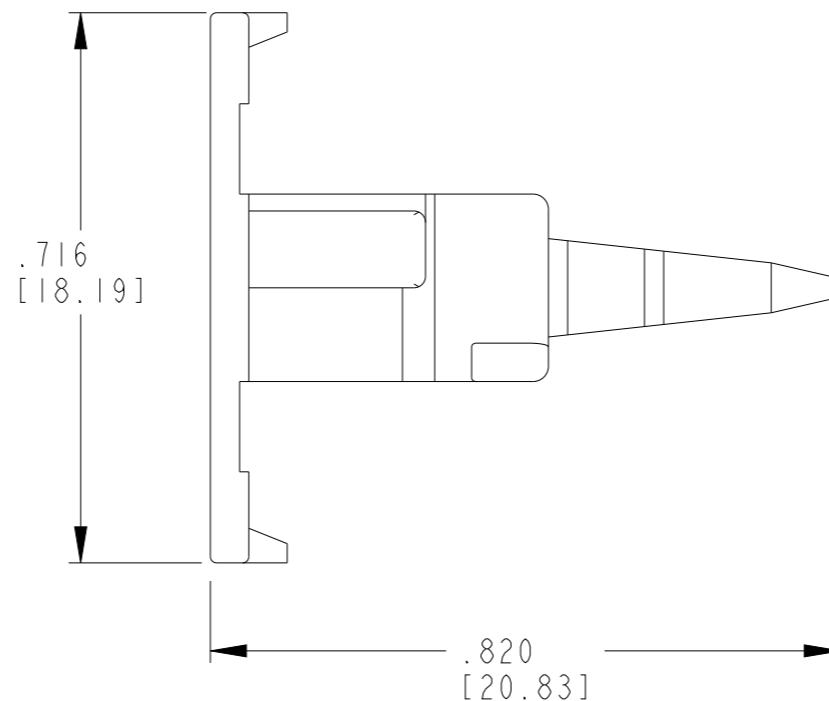


P	LTR	DESCRIPTION	DATE	DWN	APVD
	C	REVISED PER PCN-23-190134	29SEP2023	GB	CB



3D VIEW



WEDGE KEY IDENTIFICATION

2. CUTOUT FEATURE OPTIONAL, 2 PLACES.

1. THIS WEDGE LOCK IS UTILIZED BY DT06-4S-XXXX.
(XXXX = ALL MODIFICATIONS)

THIS DRAWING IS A CONTROLLED DOCUMENT.		DWN S. THESI 27AUG1999	TE Connectivity			
DIMENSIONS: INCHES [mm]		CHK B. BAYFORD 04APR2011				
TOLERANCES UNLESS OTHERWISE SPECIFIED:		APVD -	NAME WEDGE LOCK -C- KEY POSITION			
0 PLC ± 1 PLC ± 2 PLC ± 3 PLC ±.025 [0.64] 4 PLC ± ANGLES ± FINISH -		PRODUCT SPEC 108-151009	DT SERIES			
MATERIAL PBT GF30 GREEN		APPLICATION SPEC 114-151009	SIZE A3	CAGE CODE 00779	DRAWING NO C=W4SC-P012-ENV	RESTRICTED TO -
CUSTOMER DRAWING; RESTRICTED CUSTOMER			SCALE 4:1	SHEET 1 OF 1	REV C	