

THIS DRAWING IS UNPUBLISHED.

RELEASED FOR PUBLICATION

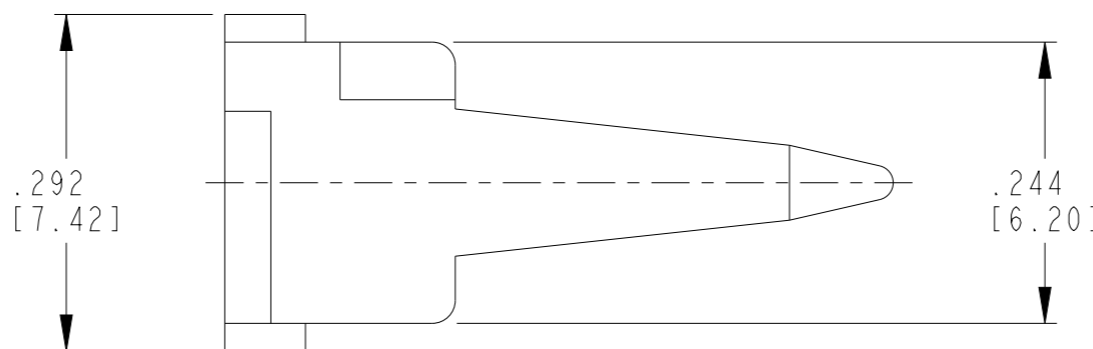
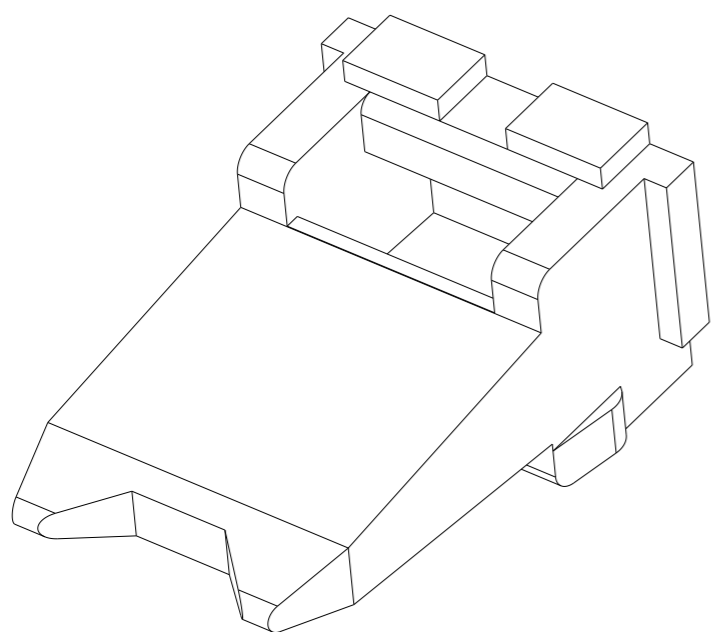
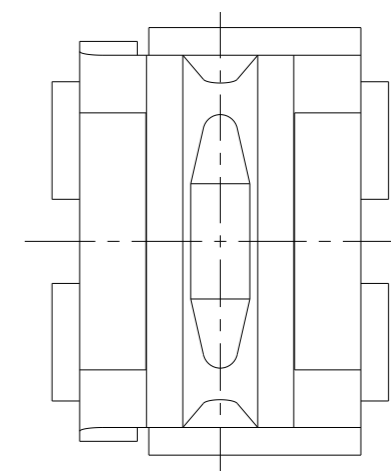
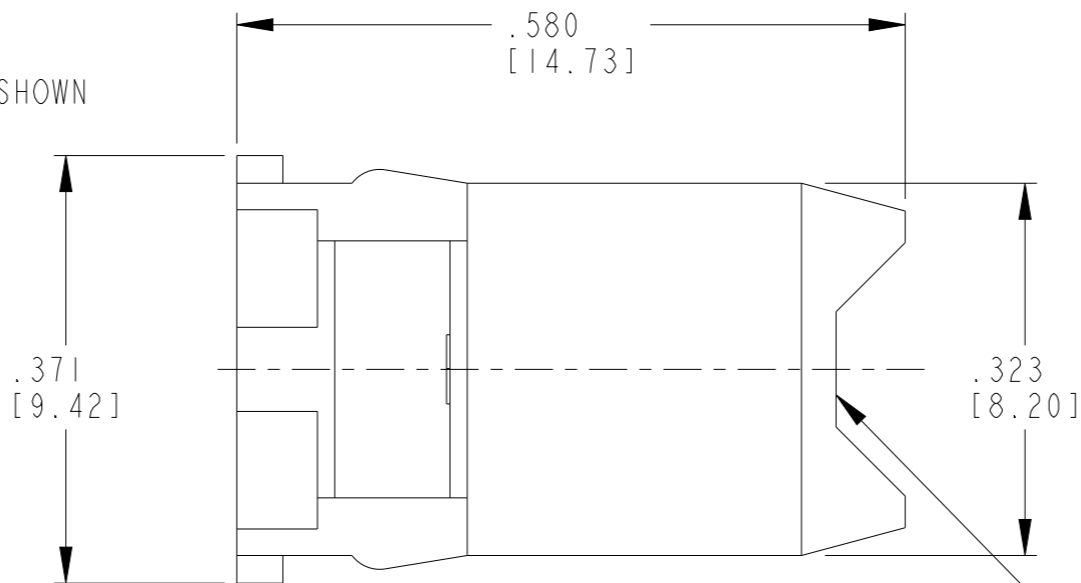
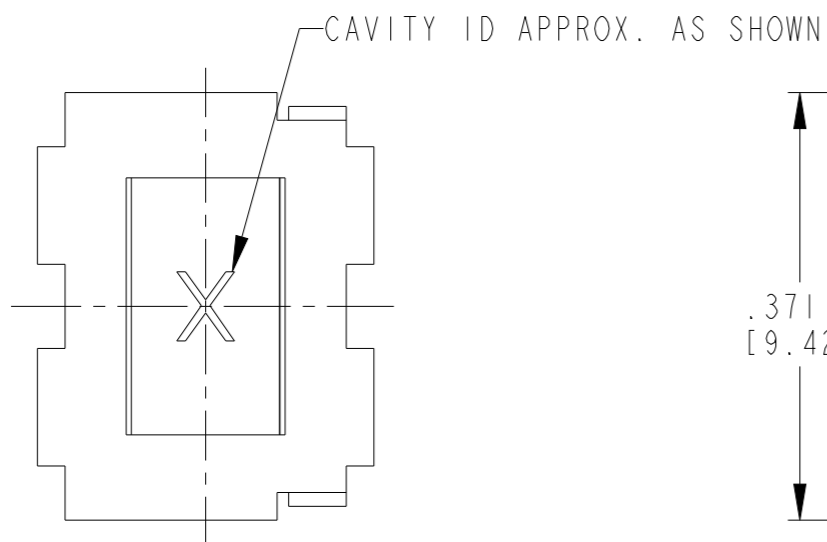
2014

© COPYRIGHT 2014 TE CONNECTIVITY


ALL RIGHTS RESERVED.

LOC	DIST
-	-

REVISIONS					
P	LTR	DESCRIPTION	DATE	DWN	APVD
	NC	NEW RELEASE PER EO A09299	2/9/90	CW	JA
	A	REVISED PER EO PI5887	2/15/99	ST	RDR
	B	REVISED PER ECO-14-003390	3/26/14	RLM	DM
	G	REVISED PER PCN-23-190134	29SEP2023	GB	CB



1. USED WITH DT04-4P-XXXX (XXXX = ALL MODIFICATIONS).  
CONSULT FACTORY FOR MODIFICATION AND APPLICATION.

THIS DRAWING IS A CONTROLLED DOCUMENT.		DWN R. MESSENGER 08JAN2014	 TE Connectivity															
DIMENSIONS: INCHES [mm]		CHK R. MESSENGER 09JAN2014																
TOLERANCES UNLESS OTHERWISE SPECIFIED:		APVD D. MEYER 20FEB2014	NAME WEDGE LOCK 4 WAY RECEPTACLE DT SERIES															
<table border="0"> <tr> <td>0 PLC</td> <td>±-</td> </tr> <tr> <td>1 PLC</td> <td>±-</td> </tr> <tr> <td>2 PLC</td> <td>±-</td> </tr> <tr> <td>3 PLC</td> <td>±.025 [0.64]</td> </tr> <tr> <td>4 PLC</td> <td>±-</td> </tr> <tr> <td>ANGLES</td> <td>±0°30'0"</td> </tr> </table>		0 PLC	±-	1 PLC	±-	2 PLC	±-	3 PLC	±.025 [0.64]	4 PLC	±-	ANGLES	±0°30'0"	PRODUCT SPEC 108-151009	SIZE A3	CAGE CODE 4AFU8	DRAWING NO G-W4P	RESTRICTED TO -
0 PLC	±-																	
1 PLC	±-																	
2 PLC	±-																	
3 PLC	±.025 [0.64]																	
4 PLC	±-																	
ANGLES	±0°30'0"																	
MATERIAL PBT GF30 GREEN		FINISH -	APPLICATION SPEC 114-151009	WEIGHT 0.48 g														
			CUSTOMER DRAWING	SCALE 6:1	SHEET 1	OF 1												
					REV G													